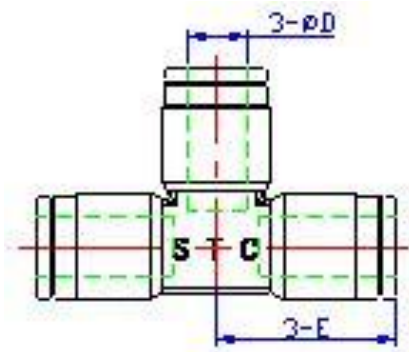


## Tee Union (TUS/TUB) Push In Fitting Specifications:

Dimensions for Reference Use Only: Imperial fittings in Inch, Metric fittings in mm, U.S.O.



Part No.	Part No.	E
TUB 1/8	TUS 1/8	16.25
TUB 5/32	TUS 5/32	16.25
TUB 1/4	TUS 1/4	20
TUB 5/16	TUS 5/16	22.6
TUB 3/8	TUS 3/8	25.5
TUB 1/2	TUS 1/2	27.5
TUB 4	TUS 4	16.25
TUB 6	TUS 6	
TUB 8	TUS 8	22.6
TUB 10	TUS 10	
TUB 12	TUS 12	

### Specifications, Materials of Construction and Schematic of Typical Construction:

	Stainless Steel Fittings	Nickel-Plated Brass Fittings
Operating Pressure	0 - 250 PSI (0 - 1650 kpa)	0 - 250 PSI (0 - 1650 kpa)
Vacuum	0 - 30" Hg (0 - 760 mm Hg)	0 - 30" Hg (0 - 760 mm Hg)
Operating Temperature	5 - 230 °F (-15 to 110 °C)	5 - 230 °F (-15 to 110 °C)
Recommended Tubing Material	Polyurethane, Nylon, Polyethylene, Polypropylene, and Hard metal tubing (tubing must be pre-grooved)	
Metal Body	T316 Stainless Steel	Nickel-Plated Brass
Plastic Body	None	None
Release Button	300 series Stainless Steel	Nickel-Plated Brass
Grip Ring or Collet	300 series Stainless Steel	300 series Stainless Steel
O-ring	VITON	NBR
Thread Sealant	None	Teflon
Service	Air, Liquid	Air, Liquid