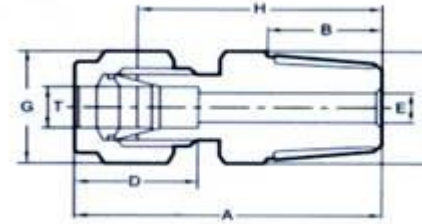


Compression Fitting and Instrument Fitting Specifications

Specifications			
		Tube OD	Maximum Pressure PSI @ 72° F
Operating Temperature	-425 to 600 °F	1/8"	8800
Material of Construction	316 Stainless Steel	3/16"	5500
Compatible Fittings	Swagelok, Parker A-Lok, Let-Lock, Yor-Lok	1/4"	4200
Service	air, water, steam, oil, gasoline, natural gas, most solvent and acids that are compatible with 316 stainless steel.	5/16"	3300
		3/8"	2800
		1/2"	2500
		5/8"	2300
		3/4"	2100
		1"	1900

STAINLESS STEEL COMPRESSION FITTINGS DIMENSIONS

Male Connector, MCC



UNIT=MM

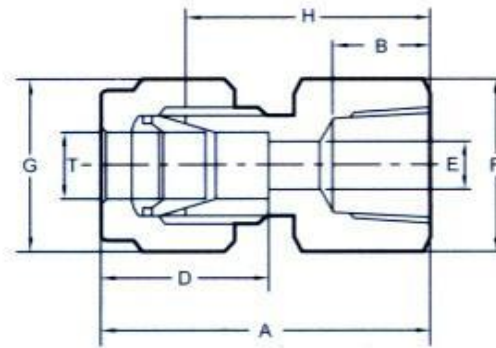
TUBE O.D. (IN)	PIPE SIZE (NPT)	PART NO.	A	B	D	E	F	G	H
1/16	1/8	MCC 1/16 N1/8	26.5	10	8.6	1	10	10	22.7
1/16	1/4	MCC 1/16 N1/8	29.8	13	8.6	1	14	10	26.0
1/8	1/8	MCC 1/8 N1/8	30.8	10	12.7	3	12	10	24.2
1/8	1/4	MCC 1/8N1/4	34.4	13	12.7	3	14	10	27.8
1/8	3/8	MCC 1/8 N3/8	35.6	14	12.7	3	17	10	29.0
1/8	1/2	MCC 1/8 N1/2	40.1	17	12.7	3	22	10	33.5
3/16	1/8	MCC 3/16 N1/8	31.5	10	13.7	3	12	12	24.9
3/16	1/8	MCC 3/16N1/4	35.1	13	13.7	3	14	12	28.5
1/4	1/8	MCC 1/4 N1/8	33.1	10	15.3	5	14	14	27.7
1/4	1/4	MCC 1/4N1/4	36.6	13	15.3	5	14	14	29.3
1/4	3/8	MCC 1/4 N3/8	38.2	14	15.3	5	17	14	30.8
1/4	1/2	MCC 1/4 N1/2	42.6	17	15.3	5	22	14	35.1
1/4	3/4	MCC 1/4 N3/4	46.1	19	15.3	5	27	14	38.8
3/8	1/8	MCC 3/8 N1/8	35.6	10	16.8	5	17	17	28.2
3/8	1/4	MCC 3/8 N1/4	38.8	13	16.8	6	17	17	31.3
3/8	3/8	MCC 3/8 N3/8	39.8	14	16.8	8	17	17	32.3
3/8	1/2	MCC 3/8 N1/2	44.1	17	16.8	8	22	17	36.8
3/8	3/4	MCC 3/8 N3/4	47.7	19	16.8	8	27	17	40.3
1/2	1/8	MCC 1/2 N1/8	39.2	10	22.8	5	22	22	29.0
1/2	1/4	MCC 1/2 N1/4	42.2	13	22.8	6	22	22	32.1
1/2	3/8	MCC 1/2 N3/8	43.2	14	22.8	8	22	22	33.1
1/2	1/2	MCC 1/2 N1/2	46.9	17	22.8	10	22	22	36.8
1/2	3/4	MCC 1/2 N3/4	50.4	19	22.8	10	27	22	40.3
1/2	1	MCC 1/2 N1	55.2	22	22.8	10	35	22	45.0
5/8	3/8	MCC 5/8 N3/8	43.9	14	24.4	8	24	27	33.8
5/8	1/2	MCC 5/8 N1/2	46.9	17	24.4	10	24	27	36.8
5/8	3/4	MCC 5/8 N3/4	50.4	19	24.4	12	27	27	40.3
3/4	1/2	MCC 3/4 N1/2	48.4	17	24.4	10	27	30	38.2
3/4	3/4	MCC 3/4 N3/4	50.4	19	24.4	15	27	30	40.3
3/4	1	MCC 3/4 N1	55.2	22	24.4	15	35	30	45.0

1	1/2	MCC 1 N1/2	55.4	17	31.3	10	35	38	43.1
1	3/4	MCC 1 N3/4	57.4	19	31.3	16.5	35	38	45.1
1	1/2	MCC 1 N1	60.4	22	31.3	20	35	38	48.1
MM	SIZE (PT)								
2	1/8	MCC 2 1/8	30.8	10	12.9	1	10	10	24.2
3	1/8	MCC 3 1/8	30.8	10	12.9	2	10	10	24.2
3	1/4	MCC 3 1/4	34.4	13	12.9	2	14	10	27.8
4	1/8	MCC 4 1/8	31.5	10	13.7	3	10	12	24.9
4	1/4	MCC 4 1/4	35.1	13	13.7	3	14	12	29.5
4	3/8	MCC 4-3	37.1	14	13.7	3	17	12	30.5
4	1/2	MCC 4-4	41.1	17	13.7	3	22	12	34.5
6	1/8	MCC 6 U1/8	33.1	10	15.3	5	14	14	25.7
6	1/4	MCC 6 1/4	36.7	13	15.3	5	14	14	29.3
6	3/8	MCC 6-3	38.2	14	15.3	5	17	14	30.8
6	1/2	MCC 6-4	42.7	17	15.3	5	22	14	35.3
8	1/8	MCC 8 U1/8	34.5	10	16.2	5	19	17	27.0
8	1/4	MCC 8 1/4	37.5	13	16.2	6	19	17	30.0
8	3/8	MCC 8-3	39.1	14	16.2	6	19	17	31.6
8	1/2	MCC 8-4	43.6	17	16.2	6	22	17	36.1
10	1/8	MCC 10 U1/8	36.6	10	17.2	5	27	19	29.0
10	1/4	MCC 10 1/4	39.7	13	17.2	6	22	19	32.1
10	3/8	MCC 10-3	40.7	14	17.2	8	22	19	33.1
10	1/2	MCC 10-4	44.5	17	17.2	8	22	19	36.9
10	3/4	MCC 10 6	48.0	19	17.2	8	22	19	40.4
12	1/8	MCC 12 U1/8	39.1	10	22.8	5	27	22	29.0
12	1/4	MCC 12 1/4	42.2	13	22.8	6	34	22	32.1
12	3/8	MCC 12-3	43.2	14	22.8	8	24	22	33.1
12	1/2	MCC 12-4	47.0	17	22.8	10	24	22	36.9
12	3/4	MCC 12-6	50.0	19	22.8	10	27	22	40.4
12	1	MCC 12-8	55.3	22	22.8	10	24	27	45.2
14	3/8	MCC 14-3	43.9	14	24.4	8	24	27	33.8
14	1/2	MCC 14-4	47.0	17	24.4	10	27	27	36.9
14	3/4	MCC 14-6	50.0	19	24.4	10	24	27	40.4
15	3/8	MCC 15-3	47.0	14	24.4	8	24	27	33.8
15	1/2	MCC 15-4	49.0	17	24.4	10	24	27	36.9
15	3/4	MCC 15-6	50.5	19	24.4	10	27	27	40.4
16	3/8	MCC 16-3	43.9	14	24.4	8	24	27	33.8
16	1/2	MCC 16-4	47.0	17	24.4	10	24	27	36.9
16	3/4	MCC 16-6	50.0	19	24.4	12	27	30	40.4
18	3/8	MCC 18-3	45.5	14	24.4	8	27	30	35.4
18	1/2	MCC 18-4	48.5	17	24.4	10	27	30	38.4
18	3/4	MCC 18-6	50.5	19	24.4	15	27	30	40.4

18	1	MCC 18-8	55.3	22	24.4	15	34	32	45.2
20	1/2	MCC 20-4	50.3	17	26.0	10	30	32	40.2
20	3/4	MCC 20-6	52.3	19	26.0	15	30	32	42.2
22	1/2	MCC 22-4	50.3	17	26.0	10	30	32	40.2
22	3/4	MCC 22-6	52.3	19	26.0	16.5	30	32	42.2
22	1	MCC 22-8	55.2	22	26.0	16.5	34	32	45.1
25	1/2	MCC 25-4	55.5	17	31.3	10	34	38	43.2
25	3/4	MCC 25-6	57.5	19	31.3	16.5	34	38	45.2
25	1	MCC 25-8	60.4	22	31.3	20	34	38	48.1

FEMALE CONNECTOR,

FCC



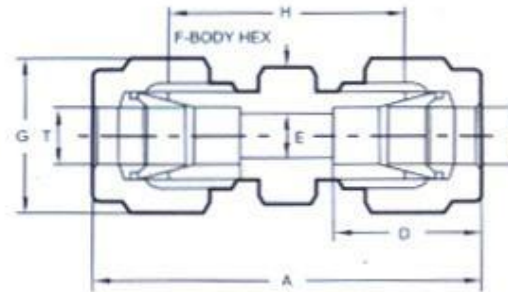
UNIT=MM

TUBE O.D. (IN)	PIPE SIZE (NPT)		A	B	D	E	F	G	H
1/8	1/8	FCC-01-1	28.7	12	12.7	2	14	10	22.1
1/8	1/4	FCC-01-2	33.5	15	12.7	2	17	10	27.0
1/4	1/8	FCC-02-1	31.2	15	15.3	5	14	14	24.0
1/4	1/4	FCC-02-2	35.8	15	15.3	5	17	14	28.4
1/4	3/8	FCC-02-3	37.6	15	15.3	5	22	14	30.2
1/4	1/2	FCC-02-4	42.4	20	15.3	5	27	14	35.1
3/8	1/8	FCC-03-1	32.8	12	16.8	5	17	19	25.4
3/8	1/4	FCC-03-2	37.6	15	16.8	6	17	19	30.2
3/8	3/8	FCC-03-3	39.1	15	16.8	8	22	19	31.8
3/8	1/2	FCC-03-4	43.9	20	16.8	8	27	19	36.6
3/8	3/4	FCC-03-6	47.8	21	16.8	8	32	19	40.4
1/2	1/8	FCC-04-1	37.3	12	22.8	5	22	22	27.2
1/2	1/4	FCC-04-2	40.4	15	22.8	6	22	22	30.2
1/2	3/8	FCC-04-3	42.0	15	22.8	8	22	22	31.8
1/2	1/2	FCC-04-4	46.7	20	22.8	10	27	22	36.6

1/2	3/4	FCC-04-6	48.3	21	22.8	10	32	22	38.2
1/2	1	FCC-04-8	51.3	24	22.8	10	40	22	41.2
5/8	3/8	FCC-05-3	42.1	15	24.4	8	27	27	32.0
5/8	1/2	FCC-05-4	46.9	20	24.4	11	27	27	36.8
5/8	3/4	FCC-05-6	48.5	21	24.4	12	32	27	38.4
3/4	1/2	FCC-06-4	46.7	20	24.4	15	27	30	36.6
3/4	3/4	FCC-06-6	48.3	21	24.4	15	32	30	38.1
1	3/4	FCC-08-6	53.3	21	31.3	21	35	38	41.0
1	1	FCC-08-8	62.2	24	31.3	21	40	38	50.0
MM	PT								
4	1/8	FCC-4-1	29.7	12	13.7	3	14	12	23.1
6	1/8	FCC-6-1	31.3	12	15.3	5	14	14	23.9
6	1/4	FCC-6-2	35.8	15	15.3	5	17	14	28.4
6	3/8	FCC-6-3	37.6	15	15.3	5	22	14	30.2
6	1/2	FCC-6-4	42.5	20	15.3	5	27	14	35.1
8	1/8	FCC-8-1	32.1	12	16.2	5	14	17	24.6
8	1/4	FCC-8-2	37.0	15	16.2	6	17	17	29.5
8	3/8	FCC-8-3	38.5	15	16.2	6	22	17	31.0
8	1/2	FCC-8-4	43.3	20	16.2	6	27	17	35.8
10	1/8	FCC-10-1	34.8	12	17.2	5	19	19	27.2
10	1/4	FCC-10-2	37.8	15	17.2	6	19	19	30.2
10	3/8	FCC-10-3	39.4	15	17.2	8	22	19	31.8
10	1/2	FCC-10-4	44.2	20	17.2	8	27	19	36.8
12	1/8	FCC-12-1	37.3	12	22.8	5	22	22	27.2
12	1/4	FCC-12-2	40.3	15	22.8	6	22	22	30.2
12	3/8	FCC-12-3	41.9	15	22.8	8	22	22	31.2
12	1/2	FCC-12-4	46.7	20	22.8	10	27	22	36.6
12	3/4	FCC-12-6	48.3	21	22.8	10	32	22	38.2
12	1	FCC-12-8	51.3	24	22.8	10	40	22	41.2
14	3/8	FCC-14-3	41.9	15	24.4	8	27	27	31.8
14	1/2	FCC-14-4	46.7	20	24.4	10	27	27	36.6
14	3/4	FCC-14-6	48.3	21	24.4	10	32	27	38.2
15	3/8	FCC-15-3	41.9	15	24.4	8	27	27	31.8
15	1/2	FCC-15-4	46.7	20	24.4	10	27	27	36.6
15	3/4	FCC-15-6	48.3	21	24.4	10	32	27	38.2
16	3/8	FCC-16-3	42.1	15	24.4	8	27	27	32.0
16	1/2	FCC-16-4	46.9	20	24.4	10	27	27	36.8
16	3/4	FCC-16-6	48.5	21	24.4	12	32	27	38.4
18	3/8	FCC-18-3	42.1	15	24.4	14	27	30	32.0

18	1/2	FCC-18-4	46.9	20	24.4	14	27	30	36.8
18	3/4	FCC-18-6	48.2	21	24.4	14	32	30	38.4
20	1/2	FCC-20-4	47.9	20	26.0	16	30	32	37.8
20	3/4	FCC-20-6	49.7	21	26.0	16	32	32	39.6
22	1/2	FCC-22-4	47.9	20	26.0	18	30	32	37.8
22	3/4	FCC-22-6	49.7	21	26.0	18	32	32	39.6
22	1	FCC-22-8	57.9	24	26.0	18	40	32	47.8
25	3/4	FCC-25-6	53.4	21	31.3	21	35	38	41.1
25	1	FCC-25-8	62.3	24	31.3	21	40	38	50.0


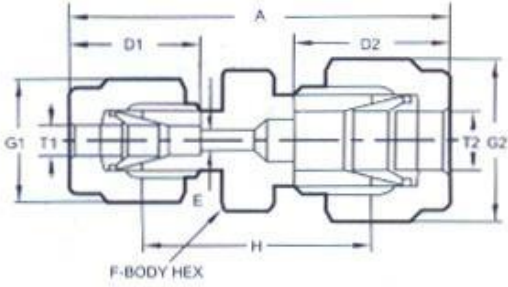
STRAIGHT UNION, SUC



UNIT=MM


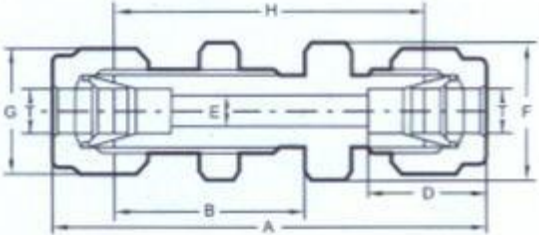
TUBE O.D. (IN)	PART NO. (NPT)	A	D	E	F	G	H
1/16	SUC 1/16	25.1	8.6	1	10	10	17.5
1/8	SUC 1/8	35.6	12.7	2	10	10	22.4
3/16	SUC 3/16	37.3	13.7	3	12	12	24.1
1/4	SUC 1/4	40.9	15.2	4	12	14	26.2
5/16	SUC 5/16	43.2	16.2	6	14	17	28.2
3/8	SUC 3/8	45.0	16.8	7	17	17	30.2
1/2	SUC 1/2	51.3	22.9	10	22	22	31.0
5/8	SUC 5/8	52.1	24.4	12	24	27	31.0
3/4	SUC 3/4	53.6	24.4	15	27	30	33.3
1	SUC 1	64.8	31.2	21	35	38	40.4
MM							
2	SUC 2	35.6	12.9	1	10	10	22.4
3	SUC 3	35.3	12.9	2	10	10	22.1
4	SUC 4	37.3	13.7	3	12	12	24.1
6	SUC 6	41.0	15.3	4	12	14	26.2
8	SUC 8	43.2	16.2	6	14	17	28.2

10	SUC 10	46.2	17.2	8	19	19	31.0
12	SUC 12	51.2	22.8	10	22	22	31.0
14	SUC 14	52.0	24.4	10	24	27	31.8
15	SUC 15	52.0	24.4	11	24	27	31.8
16	SUC 16	52.0	24.4	12	24	27	31.8
18	SUC 18	53.5	24.4	14	27	30	33.3
20	SUC 20	55.0	26.0	16	30	32	34.8
22	SUC 22	55.0	26.0	18	30	32	34.8
25	SUC 25	65.0	31.3	21	35	38	40.4

REDUCING UNION, RUC			UNIT=MM							
			TUBE	O.D.	PART NO.	A	D1	D2	E	G1

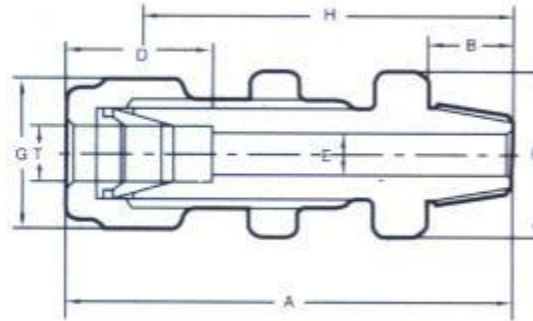
TUBE	O.D.	PART NO.	A	D1	D2	E	G1	G2	F	H
1/16	1/8	RUC 1/16-1/8	31.0	8.6	12.7	1	12	10	12	20.6
1/8	3/16	RUC 1/8-3/16	36.6	12.7	13.7	3	12	12	12	23.4
1/8	1/4	RUC 1/8-1/4	38.6	12.7	15.2	3	14	14	14	24.6
1/4	5/16	RUC 1/4-5/16	42.2	15.2	16.2	5	14	17	14	27.4
1/4	3/8	RUC 1/4-3/8	43.2	15.2	16.8	5	14	17	17	28.4
1/4	1/2	RUC 1/4-1/2	47.0	15.2	22.8	5	17	22	22	29.5
3/8	1/2	RUC 3/8-1/2	48.5	16.8	22.8	7	17	22	22	31.0
1/2	3/4	RUC 1/2-3/4	53.6	22.8	24.4	10	19	30	27	33.3
3/4	1	RUC 3/4-1	62.7	24.4	31.2	15	22	38	35	40.4
MM	MM									
4	3	RUC 4-3	38.1	13.7	12.9	2	12	10	12	25.0
4	6	RUC 4-6	39.4	13.7	15.3	3	12	14	14	24.4
6	8	RUC 6-8	42.3	15.3	16.2	5	14	17	14	27.4
6	10	RUC 6-10	44.5	15.3	17.2	5	14	19	19	29.5
6	12	RUC 6-12	47.3	15.3	22.8	5	14	22	22	29.5

8	10	RUC 8-10	45.1	16.2	17.2	6	17	19	19	30.0
8	12	RUC 8-12	47.8	16.2	22.8	6	17	22	22	30.2
10	12	RUC 10-12	48.7	17.2	22.8	8	19	22	22	31.0
12	16	RUC 12-16	52.0	22.8	24.4	10	22	27	24	31.8
12	18	RUC 12-18	53.5	22.8	24.4	10	22	30	27	33.3
18	25	RUC 18-25	61.0	24.4	31.3	15	30	38	35	38.6
20	25	RUC 20-25	62.0	26.0	31.3	16	32	38	35	39.9

BULKHEAD UNION, BUC			UNIT=MM
------------------------	---	--	---------

TUBE O.D.	PART NO.	A	B	D	E	F	G	H	PANEL HOLE SIZE	MAX PANEL THICK
1/4	BUC 1/4	57.7	26.0	15.2	5	17	14	42.9	11.5	10.2
5/16	BUC 5/16	61.0	28.6	16.2	6	19	17	46.0	13.1	11.2
3/8	BUC 3/8	62.2	29.0	16.8	7	19	17	46.0	16.3	11.2
1/2	BUC 1/2	71.1	31.0	22.8	10	24	22	50.8	19.5	12.7
3/4	BUC 3/4	79.0	38.0	24.4	15	30	30	58.7	26.0	16.8
1	BUC 1	95.8	50.0	31.2	21	40	38	71.4	33.2	26.0
MM										
6	BUC 6	57.7	26.2	15.3	5	17	14	42.9	11.5	10.2
8	BUC 8	61.0	28.6	16.2	6	19	17	46.0	13.1	11.2
10	BUC 10	63.7	29.4	17.2	8	19	19	48.5	16.3	11.2
12	BUC 12	71.0	31.8	22.8	10	24	22	50.8	19.5	12.7
14	BUC 14	72.5	32.5	24.4	10	27	27	52.3	22.5	12.7
15	BUC 15	72.5	32.5	24.4	11	27	27	52.3	22.8	12.7
16	BUC 16	72.5	32.5	24.4	13	27	27	52.3	22.8	12.7
18	BUC 18	78.9	37.3	24.4	14	30	30	58.7	26.0	16.8
20	BUC 20	84.5	42.9	26.0	16	35	32	64.3	29.0	23.9
22	BUC 22	84.5	42.9	26.0	18	35	32	64.3	29.0	23.9
25	BUC 25	99.5	50.0	31.3	21	40	38	75.5	33.2	26.0

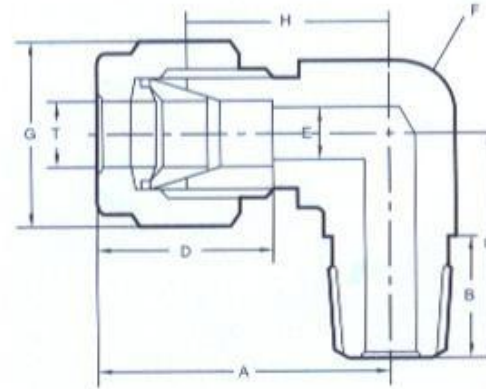
MALE BULKHEAD CONNECTOR, BCC



UNIT=MM

TUBE SIZE	PIPE SIZE											
O.D.	NPT		A	B	D	E	F	G	H	PANEL HOLE SIZE	MAX PANEL THICKNESS	
1/4	1/8	BTC-02-1	50.9	10	15.3	5	17	14	42.4	11.5	10.2	
1/4	1/4	BTC-02-2	49.5	13	15.3	5	17	14	46.7	11.5	10.2	
1/4	3/8	BTC-02-3	54.9	14	15.3	5	17	14	40.9	11.5	10.2	
1/4	1/2	BTC-02-4	57.9	17	15.3	5	22	14	43.9	11.5	10.2	
3/8	1/4	BTC-03-2	57.4	13	16.8	8	19	17	42.0	16.3	11.2	
3/8	3/8	BTC-03-3	57.4	14	16.8	8	19	17	43.0	16.3	11.2	
3/8	1/2	BTC-03-4	63.8	17	16.8	8	19	17	47.0	16.3	11.2	
1/2	1/4	BTC-04-2	62.2	13	22.8	10	22	17	42.7	19.5	12.7	
1/2	3/8	BTC-04-3	63.2	14	22.8	10	22	19	43.7	19.5	12.7	
1/2	1/2	BTC-04-4	68.8	17	22.8	10	22	19	58.8	19.5	12.7	
MM	PT											
6	1/8	BTC-6-1	50.9	10	15.3	5	17	14	42.4	11.5	10.2	
6	1/4	BTC-6-2	53.6	13	15.3	5	17	14	46.2	11.5	10.2	
6	3/8	BTC-6-3	54.9	14	15.3	5	17	14	40.9	11.5	10.2	
6	1/2	BTC-6-4	57.9	17	15.3	5	22	14	43.9	11.5	10.2	
8	1/8	BTC-8-1	53.4	10	16.2	6	19	17	38.4	13.1	11.2	
8	1/4	BTC-8-2	56.4	13	16.2	6	19	17	41.4	13.1	11.2	
8	3/8	BTC-8-3	57.4	14	16.2	6	19	17	42.4	13.1	11.2	
8	1/2	BTC-8-4	60.4	17	16.2	6	22	17	45.4	13.1	11.2	
10	1/4	BTC-10-2	56.0	13	17.2	8	19	19	42.0	16.3	11.2	
10	3/8	BTC-10-3	56.0	14	17.2	8	19	19	43.0	16.3	11.2	
10	1/2	BTC-10-4	59.0	17	17.2	8	24	19	47.0	16.3	11.2	
12	1/4	BTC-12-2	62.2	13	22.8	10	24	22	42.7	19.5	12.7	
12	3/8	BTC-12-3	63.2	14	22.8	10	24	22	43.7	19.5	12.7	
12	1/2	BTC-12-4	68.8	17	22.8	10	24	22	58.7	19.5	12.7	

MALE
ELBOW,
MEC

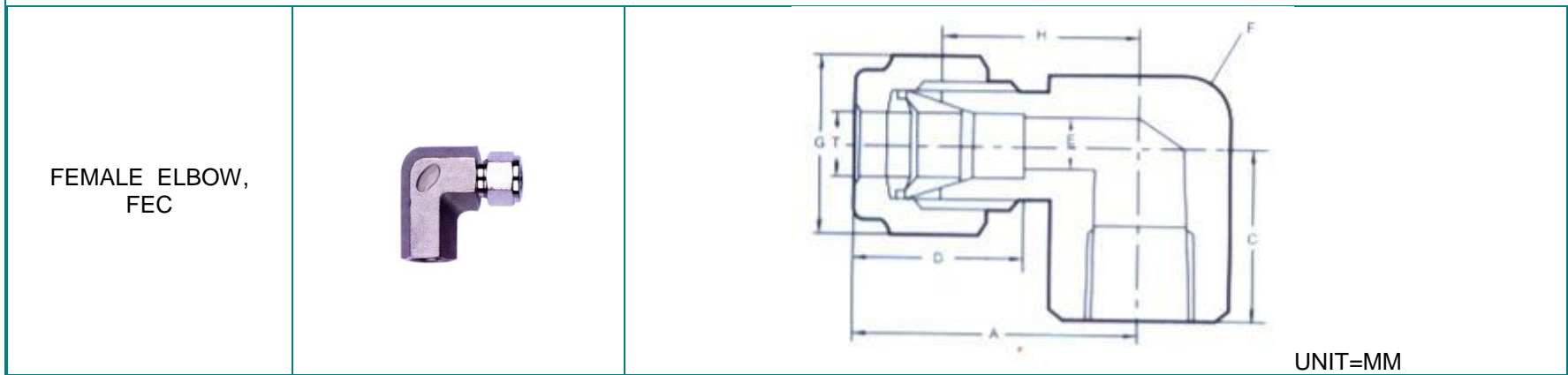


UNIT=MM

TUBE SIZE	PIPE SIZE									
O.D.	NPT	PART NO.	A	B	C	D	E	F	G	H
1/16	1/8	MEC 1/16 N1/8	19.1	10	18.1	8.6	1	10	10	15.2
1/16	1/4	MEC 1/16 N1/4	21.8	13	21.6	8.6	1	14	10	18.0
1/8	1/8	MEC 1/8 N1/8	23.6	10	18.1	12.7	3	12	10	17.0
1/8	1/4	MEC 1/8N1/4	24.6	13	22.2	12.7	3	14	10	18.0
1/8	3/8	MEC 1/8 N3/8	28.4	14	26.8	12.7	3	17	10	21.8
1/8	1/2	MEC 1/8 N1/2	31.3	17	32.7	12.7	3	22	10	24.7
3/16	1/8	MEC 3/16 N1/8	25.4	10	19.1	13.7	3	12	12	18.8
3/16	1/4	MEC 3/16N1/4	25.4	13	22.2	13.7	3	14	12	18.6
1/4	1/8	MEC 1/4 N1/8	27.0	10	19.1	15.3	5	12	14	19.6
1/4	1/4	MEC 1/4N1/4	27.0	13	22.2	15.3	5	14	14	19.6
1/4	3/8	MEC 1/4 N3/8	29.7	14	26.0	15.3	5	17	14	22.4
1/4	1/2	MEC 1/4 N1/2	31.8	17	31.0	15.3	5	22	14	24.4
3/8	1/8	MEC 3/8 N1/8	30.5	10	21.1	16.8	6	17	17	21.3
3/8	1/4	MEC 3/8 N1/4	30.5	13	24.2	16.8	8	17	17	21.3
3/8	3/8	MEC 3/8 N3/8	31.5	14	26.0	16.8	8	17	17	23.1
3/8	1/2	MEC 3/8 N1/2	33.3	17	31.0	16.8	8	22	17	26.0
1/2	1/8	MEC 1/2 N1/8	36.1	10	25.7	22.8	10	22	22	26.0
1/2	1/4	MEC 1/2 N1/4	36.1	13	27.0	22.8	10	22	22	26.0
1/2	3/8	MEC 1/2 N3/8	36.1	14	29.0	22.8	10	22	22	26.0
1/2	1/2	MEC 1/2 N1/2	36.1	17	31.0	22.8	10	22	22	26.0
1/2	3/4	MEC 1/2 N3/4	40.0	19	36.8	22.8	10	22	22	29.7
1/2	1	MEC 1/2 N1	45.3	22	45.2	22.8	10	22	22	35.2

5/8	3/8	MEC 5/8 N3/8	38.1	14	30.0	24.4	12	24	27	27.9
5/8	1/2	MEC 5/8 N1/2	38.1	17	33.1	24.4	12	24	27	27.9
5/8	3/4	MEC 5/8 N3/4	40.0	19	36.8	24.4	12	27	27	29.7
3/4	1/2	MEC 3/4 N1/2	40.0	17	34.8	24.4	15	27	30	29.7
3/4	3/4	MEC 3/4 N3/4	40.5	19	36.8	24.4	15	27	30	29.7
1	3/4	MEC 1 N3/4	49.0	19	41.7	31.3	21	34	38	36.8
1	1	MEC 1 N1	49.0	22	44.5	31.3	21	34	38	36.8
MM	PT									
3	1/8		25.4	10	19.8	13	2.4	12	12	18.8
3	1/4		26.6	13	24.0	13	2.4	14	12	20.0
4	1/8	MEC-4-1	25.4	10	19.1	13.7	3	12	12	18.8
4	1/4	MEC-4-2	26.6	13	22.2	13.7	3	14	12	20.0
4	3/8	MEC-4-3	28.4	14	26.0	13.7	3	17	12	21.8
4	1/2	MEC-4-4	31.3	17	31.0	13.7	3	22	12	24.7
6	1/8	MEC-6-1	27.0	10	19.1	15.3	5	12	14	19.6
6	1/4	MEC-6-2	27.0	13	22.2	15.3	5	14	14	19.6
6	3/8	MEC-6-3	29.8	14	26.0	15.3	5	17	14	22.4
6	1/2	MEC-6-4	31.8	17	31.0	15.3	5	22	14	24.4
8	1/8	MEC-8-1	28.8	10	20.1	16.2	6	14	17	21.3
8	1/4	MEC-8-2	28.8	13	23.2	16.2	6	14	17	21.3
8	3/8	MEC-8-3	30.6	14	26.0	16.2	6	17	17	23.1
8	1/2	MEC-8-4	32.6	17	31.0	16.2	6	22	17	25.1
10	1/8	MEC-10-1	31.5	10	21.9	17.2	6	17	19	23.9
10	1/4	MEC-10-2	31.5	13	25.0	17.2	8	17	19	23.9
10	3/8	MEC-10-3	31.5	14	26.0	17.2	8	17	19	23.9
10	1/2	MEC-10-4	33.5	17	31.0	17.2	8	22	19	25.9
12	1/8	MEC-12-1	36.0	10	25.7	22.8	10	22	22	25.9
12	1/4	MEC-12-2	36.0	13	27.0	22.8	10	22	22	25.9
12	3/8	MEC-12-3	36.0	14	28.0	22.8	10	22	22	25.9
12	1/2	MEC-12-4	36.0	17	31.0	22.8	10	22	22	25.9
12	3/4	MEC-12-6	39.8	19	36.8	22.8	10	27	22	29.7
12	1	MEC-12-8	45.3	22	45.2	22.8	10	34	22	35.2
14	3/8	MEC-14-3	38.0	14	29.0	24.4	10	24	27	27.9
14	1/2	MEC-14-4	38.0	17	33.1	24.4	10	24	27	27.9
14	3/4	MEC-14-6	39.8	19	36.8	24.4	10	27	27	29.7
15	3/8	MEC-15-3	38.0	14	29.0	24.4	11	24	27	27.9
15	1/2	MEC-15-4	38.0	17	33.1	24.4	11	24	27	27.9
15	3/4	MEC-15-6	39.8	19	36.8	24.4	11	27	27	29.7
16	3/8	MEC-16-3	38.0	14	29.0	24.4	12	24	27	27.9
16	1/2	MEC-16-4	38.0	17	33.1	24.4	12	24	2	29.7
16	3/4	MEC-16-6	39.8	19	36.8	24.4	12	27	27	29.7

18	3/8	MEC-18-3	39.8	14	32.5	24.4	14	27	30	29.7
18	1/2	MEC-18-4	39.8	17	34.8	24.4	14	27	30	29.7
18	3/4	MEC-18-6	39.8	19	36.8	24.4	14	27	30	29.7
20	1/2	MEC-20-4	44.6	17	39.7	26.0	16	30	32	34.5
20	3/4	MEC-20-6	44.6	19	41.7	26.0	16	30	32	34.5
22	1/2	MEC-22-4	44.6	17	39.7	26.0	18	30	32	34.5
22	3/4	MEC-22-6	44.6	19	41.7	26.0	18	30	32	34.5
22	1	MEC-22-8	44.6	22	44.5	26.0	18	34	32	34.5
25	1/2	MEC-25-4	49.1	17	39.7	31.3	21	34	38	36.8
25	3/4	MEC-25-6	49.1	19	41.7	31.3	21	34	38	36.8
25	1	MEC-25-8	49.1	22	44.5	31.3	21	34	38	36.8

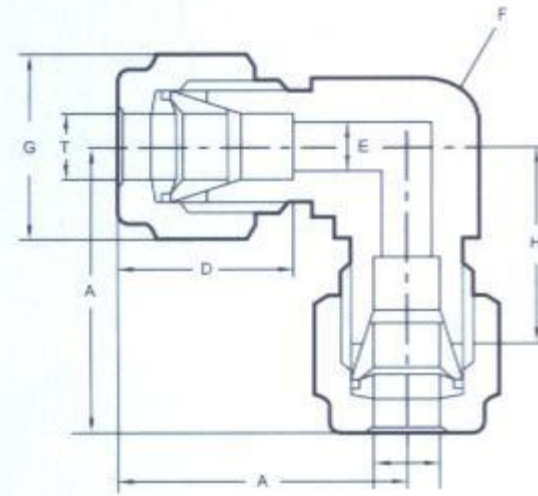


UNIT=MM

TUBE OD	PIPE SIZE		A	C	D	E	F	G	H
IN	NPT								
1/4	1/8	FEC-02-1	27.0	19.1	15.3	5	14	14	19.6
1/4	1/4	FEC-02-2	29.7	22.4	15.3	5	17	14	22.4
1/4	3/8	FEC-02-3	34.6	22.4	15.3	5	22	14	27.2
1/4	1/2	FEC-02-4	37.7	28.4	15.3	5	27	14	30.3
3/8	1/8	FEC-03-1	30.5	19.8	16.8	7	17	17	23.1
3/8	1/4	FEC-03-2	31.2	22.4	16.8	7	17	17	24.0
3/8	3/8	FEC-03-3	33.3	22.4	16.8	7	22	17	26.0
3/8	1/2	FEC-03-4	36.1	28.4	16.8	7	27	17	28.7
1/2	1/8	FEC-04-1	36.0	22.4	22.8	10	22	22	25.9
1/2	1/4	FEC-04-2	36.1	22.4	22.8	10	22	22	26.0
1/2	3/8	FEC-04-3	36.1	22.4	22.8	10	22	22	26.0
1/2	1/2	FEC-04-4	39.0	28.4	22.8	10	27	22	28.7
1/2	3/4	FEC-04-6	41.8	32.4	22.8	10	32	32	31.7

5/8	3/4	FEC-05-6	42.8	32.4	24.4	12	32	27	32.7
3/4	1/2	FEC-06-4	39.9	28.4	24.4	15	27	30	29.7
3/4	3/4	FEC-06-6	44.7	32.4	24.4	15	32	30	34.5
1	3/4	FEC-08-6	49.0	32.4	31.3	21	34	38	36.8
MM	PT								
6	1/8	FEC-6-1	27.0	19.1	15.3	5	14	14	19.6
6	1/4	FEC-6-2	29.8	22.4	15.3	5	17	14	22.4
6	3/8	FEC-6-3	34.6	22.4	15.3	5	22	14	27.2
6	1/2	FEC-6-4	37.7	26.4	15.3	5	27	14	30.3
8	1/8	FEC-8-1	29.3	20.0	16.2	6	14	17	21.8
8	1/4	FEC-8-2	30.6	22.4	16.2	6	17	17	23.1
8	3/8	FEC-8-3	34.0	27.7	16.2	6	22	17	26.5
8	1/2	FEC-8-4	36.8	31.7	16.2	6	27	17	29.3
10	1/8	FEC-10-1	31.5	19.0	17.2	8	17	19	23.9
10	1/4	FEC-10-2	33.5	22.4	17.2	8	17	19	25.9
10	3/8	FEC-10-3	37.5	27.7	17.2	8	17	19	29.9
10	1/2	FEC-10-4	40.3	31.7	17.2	8	22	19	32.7
12	1/8	FEC-12-1	36.0	22.4	22.8	10	22	22	25.9
12	1/4	FEC-12-2	36.0	22.4	22.8	10	22	22	25.9
12	3/8	FEC-12-3	36.0	22.4	22.8	10	22	22	29.9
12	1/2	FEC-12-4	38.8	28.4	22.8	10	27	22	28.7
12	3/4	FEC-12-6	41.8	32.4	22.8	10	32	22	31.7
14	3/8	FEC-14-3	39.8	25.4	24.4	10	27	22	29.7
14	1/2	FEC-14-4	39.8	28.4	24.4	10	27	27	29.7
14	3/4	FEC-14-6	42.8	32.4	24.4	10	32	27	32.7
15	3/8	FEC-15-3	39.8	25.4	24.4	11	27	27	29.7
15	1/2	FEC-15-4	39.8	28.4	24.4	11	27	27	29.7
15	3/4	FEC-15-6	42.8	32.4	24.4	11	32	27	32.7
16	3/8	FEC-16-3	39.8	25.4	24.4	12	27	27	29.7
16	1/2	FEC-16-4	39.5	28.4	24.4	12	27	27	29.7
16	3/4	FEC-16-6	42.8	32.4	24.4	12	32	27	32.7
18	3/8	FEC-18-3	40.5	25.4	24.4	14	27	30	30.4
18	1/2	FEC-18-4	40.5	28.4	24.4	14	27	30	30.4
18	3/4	FEC-18-6	43.5	32.4	24.4	14	32	30	33.4
20	1/2	FEC-20-4	43.5	31.4	26.0	16	32	32	33.4
20	3/4	FEC-20-6	46.5	35.4	26.0	16	32	32	36.4
22	1/2	FEC-22-4	43.5	31.4	26.0	18	32	32	33.4
22	3/4	FEC-22-6	46.5	35.4	26.0	18	32	32	36.4
25	1/2	FEC-25-4	47.5	33.4	31.5	21	34	38	35.2
25	3/4	FEC-25-6	50.5	37.4	31.5	21	34	38	38.2

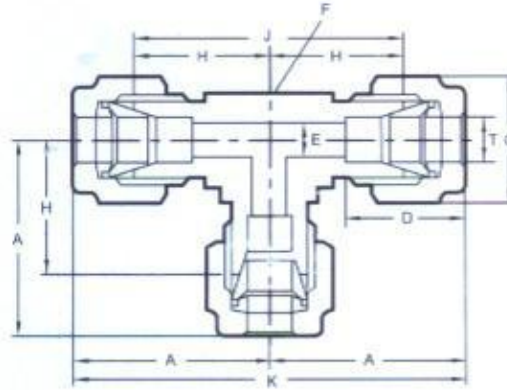
ELBOW UNION, EUC



UNIT=MM

TUBE OD		A	D	E	F	G	H
IN							
1/16	EUC-005-0	17.8	8.6	1	10	10	14.0
1/8	EUC-01-0	22.4	12.7	3	12	12	15.8
3/16	EUC-015-0	25.4	13.7	3	12	12	18.8
1/4	EUC-02-0	27.0	15.2	5	12	14	19.6
3/8	EUC-03-0	30.5	16.8	8	17	17	21.3
1/2	EUC-04-0	36.0	22.8	10	22	22	23.1
5/8	EUC-05-0	38.1	24.4	12	24	27	26.0
3/4	EUC-06-0	40.0	24.4	15	27	30	29.7
1	EUC-08-0	49.0	26.0	21	34	38	36.8
MM							
3	EUC-3-0	22.3	12.9	2	12	10	15.7
4	EUC-4-0	25.4	13.7	3	12	12	18.8
6	EUC-6-0	27.0	15.3	5	12	14	19.6
8	EUC-8-0	28.8	16.2	6	14	17	21.3
10	EUC-10-0	31.5	17.2	8	17	19	23.9
12	EUC-12-0	36.0	22.8	10	22	22	25.9
14	EUC-14-0	38.0	24.4	10	24	27	27.9
15	EUC-15-0	38.8	24.4	11	24	27	27.9
16	EUC-16-0	38.0	24.4	12	24	27	27.9
18	EUC-18-0	39.8	24.4	14	27	30	29.7
20	EUC-20-0	44.6	26.0	16	30	32	34.5
22	EUC-22-0	44.6	26.0	18	30	32	34.5
25	EUC-25-0	49.1	31.3	21	34	38	36.8

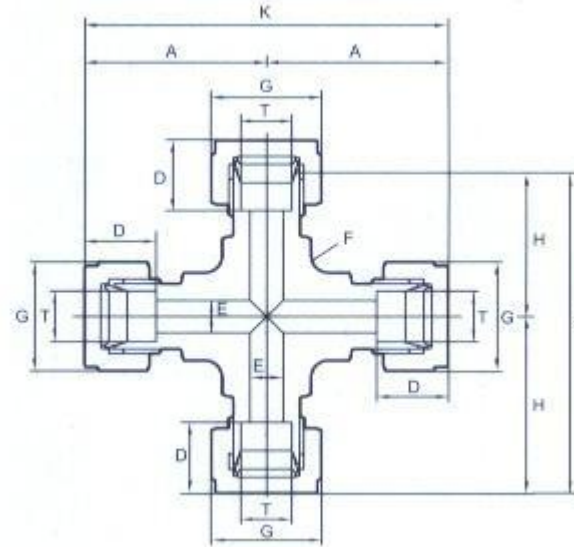
TEE UNION,
TUC



UNIT=MM

TUBE OD		A	D	E	F	G	H	J	K
IN									
1/16	TUC-005-0	17.8	8.6	1	12	10	14.0	28.0	35.6
1/8	TUC-01-0	22.4	12.7	2	12	10	15.8	31.4	44.8
3/16	TUC-015-0	25.4	13.7	3	12	12	19.6	39.1	50.8
1/4	TUC-02-0	27.0	15.2	5	12	14	22.4	44.8	54.0
3/8	TUC-03-0	30.5	16.8	8	17	19	23.1	46.2	61.0
1/2	TUC-04-0	36.0	22.8	10	22	22	26.0	52.0	72.0
5/8	TUC-05-0	38.9	24.4	12	24	27	28.7	57.4	77.8
3/4	TUC-06-0	40.0	26.0	15	27	30	29.7	59.4	80.0
1	TUC-08-0	49.0	31.2	21	35	38	36.8	73.6	98.0
MM									
3	TUC-3-0	22.3	12.9	2	12	10	15.7	31.5	44.7
4	TUC-4-0	25.4	13.7	3	12	12	18.8	37.6	50.8
6	TUC-6-0	27.0	15.3	5	12	14	19.6	39.1	53.9
8	TUC-8-0	29.9	16.2	6	14	17	22.4	44.7	59.7
10	TUC-10-0	31.5	17.2	8	17	19	23.9	47.8	63.0
12	TUC-12-0	36.0	22.8	10	22	22	25.9	51.8	72.0
14	TUC-14-0	38.8	24.4	10	24	27	28.7	57.4	77.6
15	TUC-15-0	38.8	24.4	11	24	27	28.7	57.4	77.6
16	TUC-16-0	38.8	24.4	12	24	27	28.7	57.4	77.6
18	TUC-18-0	38.8	24.4	14	27	30	29.7	59.4	79.5
20	TUC-20-0	44.6	26.0	16	30	32	34.5	69.1	89.3
22	TUC-22-0	44.6	26.0	18	30	32	34.5	69.1	89.3
25	TUC-25-0	49.1	31.3	21	35	38	36.8	73.7	89.3

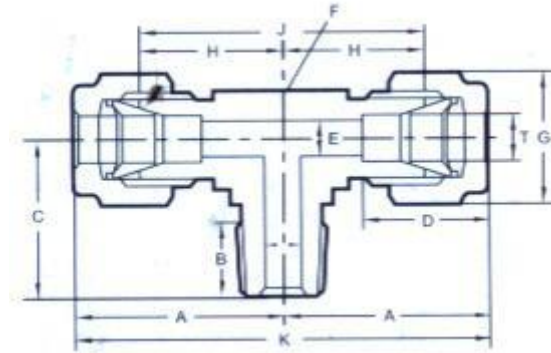
CROSS
UNION,
CUC



UNIT=MM

TUBE OD		A	D	E	F	G	H	J	K
IN									
1/8	CUC-01-0	25.5	14.0	2	12	10	18.5	37	51.0
1/4	CUC-02-0	30.2	15.2	5	14	14	23	46	60.4
3/5	CUC-03-0	31.5	18.8	8	17	19	24	48	63.0
1/2	CUC-04-0	37.0	23.6	10	22	22	26	52	74.0
MM									
3	CUC-3-0	25.5	14.0	2.4	12	10	10	37	51.0
6	CUC-6-0	30.2	15.2	5	14	14	14	46	60.4
8	CUC-8-0	30.5	16.5	6	14	17	17	46	61.0
10	CUC-10-0	31.5	19.5	8	17	19	19	48	63.0
12	CUC-12-0	37.0	23.6	10	20	22	22	52	74.0

MALE
BRANCH
TEE, BTC

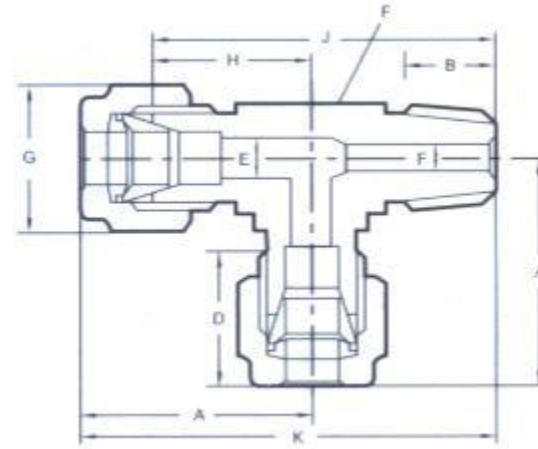


UNIT=MM

TUBE OD	PIPE SIZE		A	B	C	D	E	F	G	H	J	K
IN	NPT											
1/8	1/8	BTC-01-1	23.6	10	18.1	12.7	3	12	12	17.0	31.0	47.2
1/8	1/4	BTC-01-2	24.6	13	22.2	12.7	3	14	12	18.0	36.0	49.2
1/4	1/8	BTC-02-1	27.0	10	19.1	15.2	5	12	14	19.6	39.2	54.0
1/4	1/4	BTC-02-2	27.0	13	22.2	15.2	5	14	14	19.6	39.2	54.0
1/4	3/8	BTC-02-3	29.8	14	26.0	15.2	5	17	14	22.4	44.8	59.6
1/4	1/2	BTC-02-4	31.8	17	31.0	15.2	5	22	14	24.4	48.8	63.6
3/8	1/8	BTC-03-1	30.5	10	21.1	16.8	8	17	17	21.3	42.6	61.0
3/8	1/4	BTC-03-2	30.5	13	24.2	16.8	8	17	17	21.3	42.6	61.0
3/8	3/8	BTC-03-4	31.2	14	26.0	16.8	8	17	17	23.1	46.2	62.4
3/8	1/2	BTC-03-4	33.3	17	31.0	16.8	8	22	17	26.0	52.0	66.6
1/2	1/8	BTC-04-1	36.0	10	25.7	22.8	10	22	22	25.9	51.8	72.0
1/2	1/4	BTC-04-2	36.0	13	27.0	22.8	10	22	22	25.9	51.8	72.0
1/2	3/8	BTC-04-3	36.0	14	28.0	22.8	10	22	22	25.9	51.8	72.0
1/2	1/2	BTC-04-4	36.0	17	31.0	22.8	10	22	22	25.9	51.8	72.0
1/2	3/4	BTC-04-6	39.8	19	36.8	22.8	10	27	22	29.7	59.4	79.6
1/2	1	BTC-04-8	45.3	22	45.2	22.8	10	35	22	35.2	70.4	90.6
5/8	3/8	BTC-05-3	38.1	14	30.0	24.4	12	24	27	27.9	55.8	76.2
5/8	1/2	BTC-05-4	38.1	17	33.1	24.4	12	24	27	27.9	55.8	76.2
5/8	3/4	BTC-05-6	40.0	19	36.8	24.4	12	27	27	29.7	59.4	80.0
3/4	3/4	BTC-06-6	40.5	19	36.8	24.4	15	27	30	29.7	59.4	81.0
1	3/4	BTC-08-6	49.0	19	41.7	31.3	21	35	38	36.8	73.6	98.0
1	1	BTC-08-8	49.0	22	44.5	31.3	21	35	38	36.8	73.6	98.0
MM	PT											
4	1/8	BTC-4-1	25.4	10	19.1	13.7	3	12	12	18.8	37.6	50.8
4	1/4	BTC-4-2	25.4	13	22.2	13.7	3	14	12	18.8	37.6	50.8
6	1/8	BTC-6-1	27.0	10	19.1	15.3	5	12	14	19.6	39.2	54.0
6	1/4	BTC-6-2	27.0	13	22.2	15.3	5	14	14	19.6	39.2	54.0
6	3/8	BTC-6-3	29.8	14	26.0	15.3	5	17	14	22.4	44.8	59.6

6	1/2	BTC-6-4	31.8	17	31.0	15.3	5	22	14	24.4	48.8	63.6
8	1/8	BTC-8-1	28.8	10	20.1	16.2	6	14	17	21.3	42.6	57.6
8	1/4	BTC-8-2	28.8	13	23.2	16.2	6	14	17	21.3	42.6	57.6
8	3/8	BTC-8-3	30.6	14	26.0	16.2	6	17	17	21.3	46.2	61.2
8	1/2	BTC-8-4	32.6	17	31.0	16.2	6	22	17	23.1	50.2	65.2
10	1/8	BTC-10-1	31.5	10	21.9	17.2	8	17	19	25.1	47.8	63.0
10	1/4	BTC-10-2	31.5	13	25.0	17.2	8	17	19	23.9	47.8	63.0
10	3/8	BTC-10-3	31.5	14	26.0	17.2	8	17	19	23.9	47.8	63.0
10	1/2	BTC-10-4	33.5	17	31.0	17.2	8	22	19	25.9	51.8	67.0
12	1/8	BTC-12-1	36.0	10	25.7	22.8	10	22	22	25.9	51.8	72.0
12	1/4	BTC-12-2	36.0	13	27.0	22.8	10	22	22	25.9	51.8	72.0
12	3/8	BTC-12-3	36.0	14	26.0	22.8	10	22	22	25.9	51.8	72.0
12	1/2	BTC-12-4	36.0	17	31.0	22.8	10	22	22	25.9	51.8	72.0
12	3/4	BTC-12-6	39.8	19	36.8	22.8	10	27	22	29.7	59.4	79.6
12	1	BTC-12-8	45.3	22	45.2	22.8	10	35	22	35.2	70.0	90.6
14	3/8	BTC-14-3	38.0	14	29.0	24.4	10	24	27	27.9	55.8	76.0
14	1/2	BTC-14-4	38.0	17	33.1	24.4	10	24	27	27.9	55.8	76.0
14	3/4	BTC-14-6	39.8	19	36.8	24.4	10	27	27	29.7	59.4	79.6
15	3/8	BTC-15-3	38.0	14	29.0	24.4	11	24	27	27.9	55.8	76.0
15	1/2	BTC-15-4	38.0	17	33.1	24.4	11	24	27	29.7	55.8	76.0
15	3/4	BTC-15-6	39.8	19	36.8	24.4	11	27	27	27.9	59.4	79.6
16	3/8	BTC-16-3	38.0	14	29.0	24.4	12	24	27	27.9	55.8	76.0
16	1/2	BTC-16-4	38.0	17	33.1	24.4	12	24	27	27.9	55.8	76.0
16	3/4	BTC-16-6	39.8	19	36.8	24.4	12	27	27	29.7	59.4	79.6
18	3/8	BTC-18-3	39.8	14	32.5	24.4	14	27	30	29.7	59.4	79.6
18	1/2	BTC-18-4	39.8	17	34.8	24.4	14	27	30	29.7	59.4	79.6
18	3/4	BTC-18-6	39.8	19	36.8	24.4	14	27	30	29.7	59.4	79.6
20	1/2	BTC-20-4	44.6	17	39.7	26.0	16	30	32	34.5	69.0	89.2
20	3/4	BTC-20-6	44.6	19	41.7	26.0	16	30	32	34.5	69.0	89.2
22	1/2	BTC-22-4	44.6	17	39.7	26.0	18	30	32	34.5	69.0	89.2
22	3/4	BTC-22-6	44.6	19	41.7	26.0	18	30	32	34.5	69.0	89.2
25	1/2	BTC-25-4	49.1	17	39.7	31.3	21	35	38	36.8	73.6	98.2
25	3/4	BTC-25-6	49.1	19	41.7	31.3	21	35	38	36.8	73.6	98.2
25	1	BTC-25-8	49.1	22	41.7	31.3	21	35	38	36.8	73.6	98.2

MALE RUN
TEE, RTC

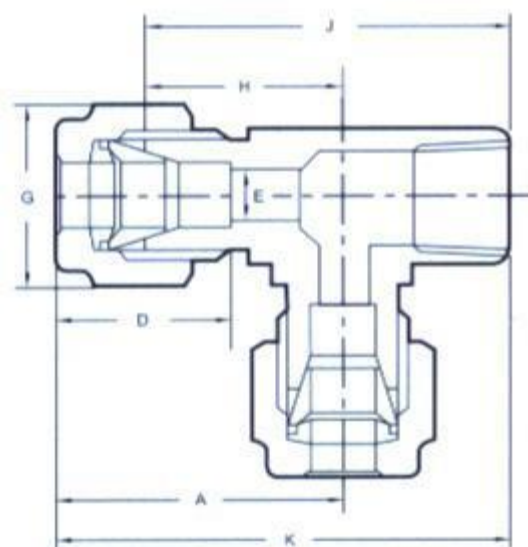


UNIT=MM

TUBE OD	PIPE SIZE		A	B	D	E	F	G	H	J	K
IN	NPT										
1/8	1/8	RTC-01-1	23.6	10	12.7	3	12	12	17.0	35.1	41.7
1/8	1/4	RTC-01-2	24.6	13	12.7	3	14	12	18.0	40.2	47.6
1/4	1/8	RTC-02-1	27.0	10	15.2	5	12	14	19.6	38.7	46.1
1/4	1/4	RTC-02-2	27.0	13	15.2	5	14	14	19.6	41.8	49.2
1/4	3/8	RTC-02-3	29.8	14	15.2	5	17	14	22.4	48.4	55.8
1/4	1/2	RTC-02-4	31.8	17	15.2	5	22	14	24.4	55.4	62.8
3/8	1/8	RTC-03-1	30.5	11	16.8	8	17	17	21.3	42.4	48.9
3/8	1/4	RTC-03-2	30.5	13	16.8	8	17	17	21.3	45.5	52.0
3/8	3/8	RTC-03-3	31.2	14	16.8	8	17	17	23.1	49.1	54.8
3/8	1/2	RTC-03-4	33.3	17	16.8	8	22	17	26.0	57.0	64.3
1/2	1/8	RTC-04-1	36.0	11	22.8	10	22	22	25.9	51.6	61.7
1/2	1/4	RTC-04-2	36.0	13	22.8	10	22	22	25.9	52.9	63.0
1/2	3/8	RTC-04-3	36.0	14	22.8	10	22	22	25.9	53.9	64.0
1/2	1/2	RTC-04-4	36.0	17	22.8	10	22	22	25.9	56.9	67.0
1/2	3/4	RTC-04-6	39.8	19	22.8	10	27	22	29.7	66.5	76.6
1/2	1	RTC-04-8	45.3	22	22.8	10	34	22	35.2	80.4	90.5
5/8	3/8	RTC-05-3	38.1	14	24.4	12	24	27	27.9	57.9	68.1
5/8	1/2	RTC-05-4	38.1	17	24.4	12	24	27	27.9	61.0	71.2
5/8	3/4	RTC-05-6	40.0	19	24.4	12	27	27	29.7	66.5	76.8
3/4	1/2	RTC-06-4	40.0	17	24.4	15	27	30	29.7	66.5	76.8
3/4	3/4	RTC-06-6	40.0	19	24.4	15	34	30	29.7	66.5	76.8
1	3/4	RTC-08-6	49.1	19	31.3	21	34	38	36.8	78.5	90.8
1	1	RTC-08-8	49.1	22	31.3	21	34	38	36.8	81.3	90.8
MM	PT										
4	1/8	RTC-4-1	25.4	10	15.3	3	12	12	18.8	37.9	44.5

4	1/4	RTC-4-2	25.4	13	15.3	3	14	12	18.8	41.0	47.6
6	1/8	RTC-6-1	27.0	10	15.3	5	12	14	19.6	38.7	46.1
6	1/4	RTC-6-2	27.0	13	15.3	5	14	14	19.6	41.8	49.2
6	3/8	RTC-6-3	29.8	14	15.3	5	17	14	22.4	48.4	55.8
6	1/2	RTC-6-4	31.8	17	15.3	5	22	14	24.4	55.4	62.8
8	1/8	RTC-8-1	28.8	10	16.2	6	14	17	21.3	41.4	48.9
8	1/4	RTC-8-2	28.8	13	16.2	6	14	17	21.3	46.3	52.0
8	3/8	RTC-8-3	28.8	14	16.2	6	17	17	2.1	49.1	54.8
8	1/2	RTC-8-4	30.6	17	16.2	6	22	17	25.1	56.1	61.6
10	1/8	RTC-10-1	31.5	10	17.2	8	17	19	23.9	45.8	53.4
10	1/4	RTC-10-2	31.5	13	17.2	8	17	19	23.9	48.9	56.5
10	3/8	RTC-10-3	31.5	14	17.2	8	17	19	23.9	49.9	57.5
10	1/2	RTC-10-4	33.5	17	17.2	8	22	19	25.9	56.9	64.5
12	1/8	RTC-12-1	36.0	10	22.8	10	22	22	25.9	51.6	61.7
12	1/4	RTC-12-2	36.0	13	22.8	10	22	22	25.9	52.9	63.0
12	3/8	RTC-12-3	36.0	14	22.8	10	22	22	25.9	53.9	64.0
12	1/2	RTC-12-4	36.0	17	22.8	10	22	22	25.9	56.9	67.0
12	3/4	RTC-12-6	39.8	19	22.8	10	27	22	29.7	66.5	76.6
12	1	RTC-12-8	45.3	22	22.8	10	34	22	35.2	80.4	90.5
14	3/8	RTC-14-3	38.0	14	24.4	10	24	27	27.9	56.9	67.0
14	1/2	RTC-14-4	38.0	17	24.4	10	24	27	27.9	61.0	71.1
14	3/4	RTC-14-6	39.8	19	24.4	10	27	27	29.7	66.5	76.0
15	3/8	RTC-15-3	38.0	14	24.4	10	24	27	27.9	56.9	67.0
15	1/2	RTC-15-4	38.0	17	24.4	10	24	27	27.9	61.0	71.1
15	3/4	RTC-15-6	39.8	19	24.4	10	27	27	29.7	66.5	76.6
16	3/8	RTC-16-3	38.0	14	24.4	12	24	27	27.9	56.9	67.0
16	1/2	RTC-16-4	38.0	17	24.4	12	24	27	27.9	61.0	71.1
16	3/4	RTC-16-6	39.8	19	24.4	12	27	27	29.7	66.5	76.6
18	3/8	RTC-18-3	39.8	14	24.4	14	27	30	29.7	62.2	72.3
18	1/2	RTC-18-4	39.8	17	24.4	14	27	30	29.7	64.5	74.6
18	3/4	RTC-18-6	39.8	19	24.4	14	27	30	29.7	66.5	76.6
20	1/2	RTC-20-4	44.6	17	26.0	16	30	32	34.5	74.2	84.3
20	3/4	RTC-20-6	44.6	19	26.0	16	30	32	34.5	76.2	96.3
22	1/2	RTC-22-4	44.6	17	26.0	18	30	32	34.5	74.2	84.3
22	3/4	RTC-22-6	44.6	19	26.0	18	30	32	34.5	76.2	86.3
25	1/2	RTC-25-4	49.1	17	31.3	21	34	38	36.8	76.5	88.8
25	3/4	RTC-25-6	49.1	19	31.3	21	34	38	36.8	78.5	90.8
25	1	RTC-25-8	49.1	22	31.3	21	34	38	36.8	81.3	93.6

FEMALE RUN
TEE, FRC

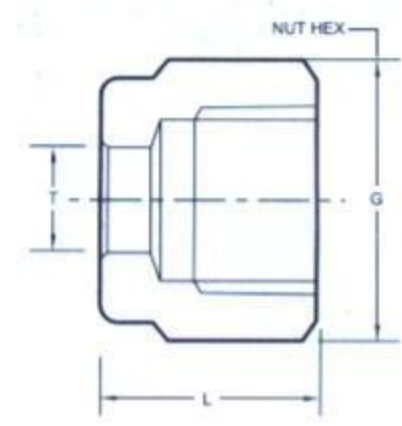
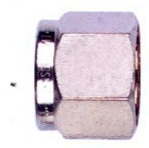


UNIT=MM

TUBE OD	PIPE SIZE		A	D	E	F	G	H	J	K
IN	NPT									
1/4	1/8	FRC-02-1	27.0	15.2	5	14	14	19.6	38.6	46.0
1/4	1/4	FRC-02-2	29.8	15.2	5	17	14	22.4	44.7	52.1
1/4	3/8	FRC-02-3	34.6	15.2	5	22	14	27.2	49.6	57.0
1/4	1/2	FRC-02-4	37.7	15.2	5	27	14	30.2	58.7	66.1
3/8	1/8	FRC-03-1	30.5	16.8	7	17	17	23.1	42.9	50.3
3/8	1/4	FRC-03-2	31.2	16.8	7	17	17	24.0	46.4	53.6
3/8	3/8	FRC-03-3	33.3	16.8	7	22	17	26.0	48.4	55.7
3/8	1/2	FRC-03-4	36.1	16.8	7	27	17	28.7	57.1	64.2
1/2	1/8	FRC-04-1	36.0	22.8	10	22	22	25.9	48.3	58.4
1/2	1/4	FRC-04-2	36.0	22.8	10	22	22	25.9	48.3	58.4
1/2	3/8	FRC-04-3	36.0	22.8	10	22	22	26.0	48.3	58.4
1/2	1/2	FRC-04-4	38.8	22.8	10	22	22	28.7	57.1	67.2
1/2	3/4	FRC-04-6	41.8	22.8	10	22	22	31.7	64.1	74.2
3/4	1/2	FRC-06-4	39.9	24.4	15	27	30	29.7	51.8	68.3
3/4	3/4	FRC-06-6	44.7	24.4	15	32	30	34.5	66.2	76.4
1	3/4	FRC-08-6	50.5	31.3	21	34	38	38.2	75.6	87.9
MM	PT									
6	1/8	FRC-6-1	27.0	15.3	5	14	14	19.6	38.6	46.0
6	1/4	FRC-6-2	29.8	15.3	5	17	14	22.4	44.7	52.1
6	3/8	FRC-6-3	34.6	15.3	5	22	14	27.2	58.7	57.0
6	1/2	FRC-6-4	37.7	15.3	5	27	14	30.2	41.4	66.1
8	1/8	FRC-8-1	29.9	16.2	6	14	17	22.4	41.4	48.9


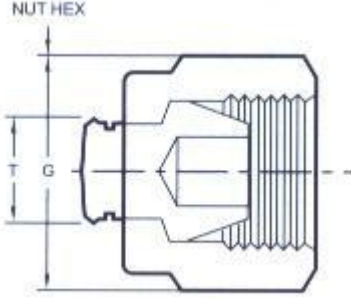
8	1/4	FRC-8-2	30.6	16.2	6	17	17	23.1	45.5	53.0
8	3/8	FRC-8-3	34.0	16.2	6	22	17	26.5	54.2	61.7
8	1/2	FRC-8-4	36.8	16.2	6	27	17	29.3	61.0	68.5
10	1/8	FRC-10-1	31.5	17.2	8	17	19	23.9	42.9	50.5
10	1/4	FRC-10-2	33.5	17.2	8	17	19	25.9	48.3	55.9
10	3/8	FRC-10-3	37.5	17.2	8	2	19	29.9	57.6	65.2
10	1/2	FRC-10-4	40.3	17.2	8	17	19	32.7	64.4	72.0
12	1/8	FRC-12-1	36.0	22.8	10	22	22	25.9	48.3	58.4
12	1/4	FRC-12-2	36.0	22.8	10	22	22	25.9	48.3	58.4
12	3/8	FRC-12-3	36.0	22.8	10	22	22	25.9	48.3	58.4
12	1/2	FRC-12-4	38.8	22.8	10	27	22	28.7	57.1	67.2
12	3/4	FRC-12-6	41.8	22.8	10	32	22	31.7	64.1	74.2
14	3/8	FRC-14-3	39.8	24.4	10	27	27	29.7	55.1	65.2
14	1/2	FRC-14-4	39.8	24.4	10	27	27	29.7	58.1	68.2
14	3/4	FRC-14-6	42.8	24.4	10	32	27	32.7	65.1	75.2
15	3/8	FRC-15-3	39.8	24.4	11	27	27	29.7	55.1	65.2
15	1/2	FRC-15-4	39.8	24.4	11	27	27	29.7	58.1	68.2
15	3/4	FRC-15-6	42.8	24.4	11	32	27	32.7	65.1	75.2
16	3/8	FRC-16-3	39.8	24.4	12	27	27	29.7	55.1	65.2
16	1/2	FRC-16-4	39.8	24.4	12	27	27	29.7	58.1	68.9
16	3/4	FRC-16-6	42.8	24.4	12	32	27	32.7	65.1	75.2
18	3/8	FRC-18-3	40.5	24.4	14	27	30	30.4	55.8	65.9
18	1/2	FRC-18-4	40.5	24.4	14	27	30	30.4	58.8	68.9
18	3/4	FRC-18-6	43.5	24.4	14	32	30	33.4	65.8	75.9
20	1/2	FRC-20-4	43.5	26.0	16	32	32	33.4	64.8	74.9
20	3/4	FRC-20-6	46.5	26.0	16	32	32	36.4	71.8	81.9
22	1/2	FRC-22-4	43.5	26.0	18	32	32	33.4	64.8	74.9
22	3/4	FRC-22-6	46.5	26.0	18	32	32	36.4	71.8	81.9
25	1/2	FRC-25-4	47.5	31.3	21	34	38	35.2	68.6	80.9
25	3/4	FRC-25-6	50.5	31.3	21	34	38	38.2	75.6	87.9

NUT, NTC

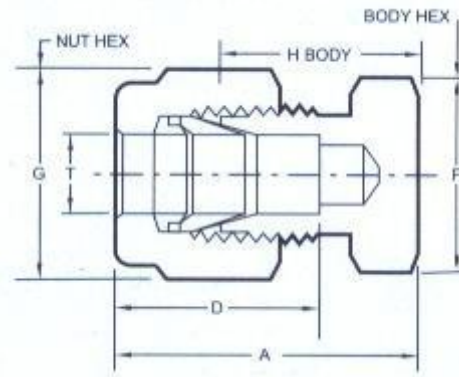


UNIT=MM

TUBE			
O.D.		G	L
1/16		10	7.9
1/8		10	11.9
3/16		12	11.9
1/4		14	12.7
3/8		17	13.5
1/2		22	17.5
5/8		27	17.5
3/4		30	17.5
1		38	20.6
MM			
2		10	11.9
3		10	11.9
4		12	11.9
6		14	12.7
8		17	13.5
10		19	15.1
12		22	17.4
14		27	17.4
15		27	17.4
16		27	17.4
18		30	17.4
20		32	17.4
22		32	17.4
25		38	20.6

PLUG, PGC			UNIT=MM		
TUBE O.D.	PART NO.	G			
1/16	PGC-005	10.0			
1/8	PGC-01	10.0			
3/16	PGC-015	12.0			
1/4	PGC-02	14.0			
3/8	PGC-03	17.0			
1/2	PGC-04	22.0			
3/4	PGC-06	32.0			
1	PGC-08	38.0			
MM					
3	PGC-3	10			
4	PGC-4	12			
6	PGC-6	14			
8	PGC-8	16			
10	PGC-10	19			
12	PGC-12	22			
14	PGC-14	27			
15	PGC-15	27			
16	PGC-16	27			
18	PGC-18	30			
20	PGC-20	32			
22	PGC-22	32			
25	PGC-25	38			

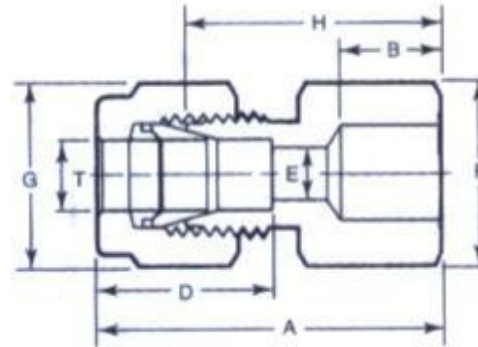
CAP,
CAC



UNIT=MM

TUBE		A	D	F	G	H
O.D.		A	D	F	G	H
1/16	CAC 1/16	15.0	8.6	10	10	11.2
1/8		20.1	12.7	12	12	13.5
3/16		21.3	13.7	12	12	14.7
1/4		23.4	15.2	14	14	17.0
3/8		25.7	16.3	17	17	18.3
1/2		29.2	22.8	22	22	19.1
3/4		31.5	24.4	27	30	21.3
1		38.4	31.2	35	38	26.2
MM						
2		20.1	12.9	12	12	13.5
3		20.1	12.9	12	12	13.5
4		21.3	13.7	12	12	14.7
6		23.1	15.3	14	14	15.7
8		24.5	16.2	14	17	17.0
10		26.6	17.2	19	19	19.0
12		29.1	22.8	22	22	19.0
14		29.9	24.4	24	27	19.8
15		29.9	24.4	24	27	19.8
16		29.9	24.4	24	27	19.8
18		31.4	24.4	27	30	21.3
20		24.0	26.0	30	32	23.9
22		24.0	26.0	30	32	23.9
25		28.5	31.3	35	41	26.2

SOCKET
WELDING
PIPE
CONNECTOR,
SWC

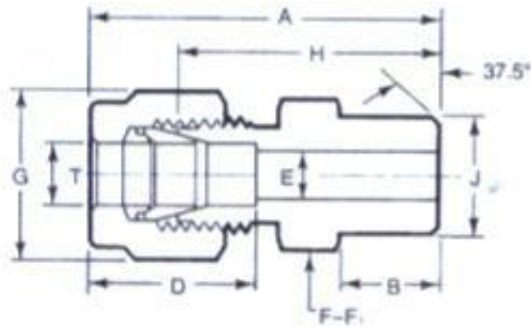


UNIT=MM

TUBE OD	PIPE SIZE								
IN	NPT		A	B	D	E	F	G	H
1/8	1/8		28.7	12	12.7	2	14	12	22.1
1/8	1/4		33.5	15	12.7	2	17	12	27.0
1/4	1/8		31.2	12	15.2	5	17	14	24.0
1/4	1/4		35.8	15	15.2	5	17	14	28.4
1/4	3/8		37.6	15	15.2	5	22	14	30.2
1/4	1/2		42.4	20	15.2	5	27	14	35.1
3/8	1/8		32.8	12	16.8	5	17	19	25.4
3/8	1/4		37.6	15	16.8	6	17	19	30.2
3/8	3/8		39.1	15	16.8	8	22	19	31.8
3/8	1/2		43.9	20	16.8	8	27	19	36.6
3/8	3/4		47.8	1	16.8	8	32	19	40.4
1/2	1/8		37.3	12	22.8	5	22	22	27.2
1/2	1/4		40.4	15	22.8	6	22	22	30.2
1/2	3/8		40.2	15	22.8	8	22	22	31.8
1/2	1/2		46.7	20	22.8	10	27	22	36.6
1/2	3/4		48.3	21	22.8	10	32	22	38.2
1/2	1		51.3	24	22.8	10	40	22	41.2
5/8	3/8		42.1	15	24.4	8	27	27	32.0
5/8	1/2		46.9	20	24.4	11	27	27	36.8
5/8	3/4		48.5	21	24.4	12	32	27	38.4
3/4	1/2		46.7	20	24.4	15	27	30	36.6
3/4	3/4		48.3	21	24.4	15	32	30	38.1
1	3/4		53.3	21	31.3	21	35	38	41.1
1	1		62.2	24	31.3	21	40	38	50.0
MM	PT								
4	1/8		29.7	12	13.7	3	14	12	23.1

6	1/8		31.3	12	15.3	5	14	14	23.9
6	1/4		35.8	15	15.3	5	17	14	28.4
6	3/8		37.6	15	15.3	5	22	14	30.2
6	1/2		42.5	20	15.3	5	27	14	35.1
8	1/8		32.1	12	16.2	5	14	17	24.6
8	1/4		37.0	15	16.2	6	17	17	29.5
8	3/8		38.5	15	16.2	6	22	17	31.0
8	1/2		43.3	20	16.2	6	27	17	35.8
10	1/8		34.8	12	17.2	5	19	19	27.2
10	1/4		37.8	15	17.2	6	19	19	30.3
10	3/8		39.4	15	17.2	8	22	19	36.8
10	1/2		44.2	20	17.2	8	27	19	36.8
12	1/8		37.3	15	22.8	5	22	22	27.2
12	1/4		40.3	15	22.8	6	22	22	30.2
12	3/4		41.9	15	22.8	8	22	22	31.8
12	1/2		46.7	20	22.8	10	27	22	36.6
12	3/4		48.3	21	22.8	10	32	22	38.2
12	1		51.3	24	22.8	10	40	22	41.2
14	3/8		41.9	15	24.5	8	27	27	31.8
14	1/2		46.7	20	24.4	10	27	27	36.6
14	1/4		48.3	21	24.4	10	32	27	38.2
15	3/8		41.9	15	24.4	8	27	27	31.8
15	1/2		46.7	20	24.4	10	27	27	36.6
15	3/4		48.5	21	24.4	12	32	27	38.2
18	3/8		42.1	15	24.0	14	27	30	32.0
18	1/2		46.9	20	24.0	14	27	30	36.8
18	3/4		48.5	21	24.0	14	32	30	38.4
20	1/2		47.9	20	26.0	16	30	32	37.8
20	3/4		49.7	21	26.0	16	32	32	39.6
22	1/2		47.9	20	26.0	16	30	32	37.8
22	3/4		49.7	21	26.0	18	32	32	39.6
22	1		57.9	24	26.0	18	40	32	47.8
25	3/4		53.4	21	31.3	21	35	38	41.1
25	1		62.3	24	31.3	21	40	38	50.5


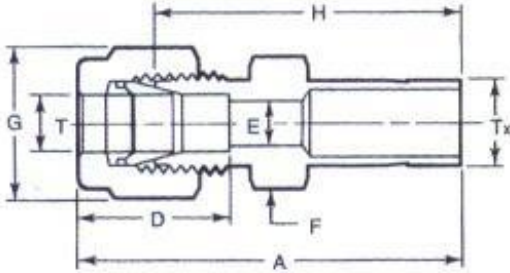
BUTT
WELDING
PIPE
CONNECT,
BWC



UNIT=MM

TUBE OD	PIPE SIZE									
IN	NPT		A	B	D	E	F	G	H	J
1/8	1/8		30.4	10	12.7	3	12	12	23.8	10.3
3/16	1/8		31.2	10	13.7	3	12	12	23.8	10.3
1/4	1/8		32.8	10	15.2	5	12	14	25.4	10.3
1/4	1/4		37.8	13	15.2	5	14	14	30.5	13.7
3/8	1/4		38.6	13	16.8	8	17	17	32.5	13.7
3/8	3/8		39.8	14	16.8	8	22	17	32.5	17.1
3/8	1/2		46.2	17	16.8	8	22	17	38.8	21.3
3/8	3/4		47.8	19	16.8	8	27	17	40.4	26.7
1/2	3/8		45.2	14	22.8	10	22	22	33.3	17.1
1/2	1/2		49.0	17	22.8	10	22	22	38.8	21.3
1/2	3/4		50.5	19	22.8	10	27	22	40.4	26.7
5/8	1/2		49.0	17	24.4	12	27	27	38.8	21.3
3/4	3/4		50.5	19	24.4	15	27	30	40.4	26.7
1	1		62.2	22	31.2	21	35	38	50.0	33.4
MM	PT									
3	1/8		30.5	10	12.9	2	12	12	23.9	11.3
4	1/8		31.2	10	13.7	3	12	12	24.6	11.3
6	1/8		32.8	10	15.3	5	12	14	25.4	11.3
6	1/4		37.9	13	15.3	5	14	14	30.5	13.7
8	1/8		34.2	10	16.2	6	14	17	26.7	11.3
8	1/4		38.7	13	16.2	6	14	17	31.2	13.7
8	1/2		46.5	17	17.0	8	22	17	38.1	21.3
10	1/4		40.9	13	17.2	8	17	19	33.3	13.7
10	3/8		43.4	14	22.8	10	22	22	33.3	17.1
10	1/2		46.5	17	17.2	8	22	19	38.9	21.3
12	1/4		43.4	13	22.8	8	22	22	34.0	13.7
12	3/4		43.4	14	22.8	10	22	22	38.9	17.1

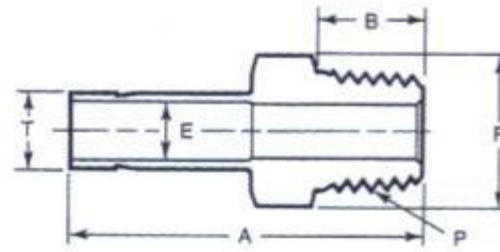
12	1/2		49.0	17	22.8	10	22	22	38.9	21.3
14	3/8		44.1	14	24.4	10	24	27	40.4	17.1
15	1/2		49.0	17	24.4	11	24	27	38.9	21.3
16	1/2		49.0	17	24.4	12	24	27	38.9	21.3
18	1/2		50.5	17	24.4	14	27	30	40.4	21.3
20	3/4		52.3	19	26.0	16	30	32	42.2	26.7
22	3/4		52.3	19	26.0	18	30	32	42.2	26.7
25	1		60.4	22	31.3	21	35	38	48.1	33.4

TUBE REDUCER, TRC			UNIT=MM							
			TUBE OD	PIPE SIZE						
IN	NPT		A	D	E	F	G	H		
1/16	1/8		29.2	8.6	1	10	10	25.4		
1/16	1/4		31.5	8.6	1	10	10	27.7		
1/8	1/16		29.0	12.7	0.7	10	12	20.3		
1/8	1/8		33.5	12.7	2	10	12	26.9		
1/8	1/4		36.0	12.7	3	10	12	29.5		
1/8	3/8		37.6	12.7	3	10	12	31.0		
1/8	1/2		44.2	12.7	3	14	12	37.6		
1/4	1/8		36.8	15.2	2	12	14	29.5		
1/4	1/4		38.1	15.2	4	12	14	31.8		
1/4	3/8		40.6	15.2	5	12	14	33.3		
1/4	1/2		46.2	15.2	5	14	14	38.9		
1/4	5/8		48.0	15.2	5	17	14	40.6		
1/4	3/4		47.0	15.2	5	19	14	40.4		
3/8	1/4		41.4	16.8	4	17	17	34.0		
3/8	3/8		43.2	16.8	7	17	17	35.8		
3/8	1/2		48.5	16.8	8	17	17	41.1		
3/8	5/8		50.3	16.8	8	17	17	42.9		
3/8	3/4		50.3	16.8	8	22	17	42.9		
1/2	1/4		45.0	22.8	4	22	22	34.8		

1/2	3/8		46.7	22.8	7	22	22	36.6
1/2	1/2		52.3	22.8	10	22	22	42.2
1/2	5/8		50.8	22.8	10	22	22	43.7
1/2	3/4		53.8	22.8	10	22	22	43.7
1/2	1		60.2	22.8	10	27	22	50.0
5/8	3/4		54.6	24.4	12	24	27	44.5
5/8	1		61.0	24.4	12	27	27	50.8
3/4	1/2		54.6	24.4	10	27	30	44.5
3/4	1		62.5	24.4	15	27	30	52.3
MM	MM							
2	3		33.5	12.9	1.7	10	12	26.9
3	4		35.0	12.9	2.4	10	12	28.4
3	6		36.1	12.9	2.4	10	12	29.5
3	10		38.4	12.9	2.4	12	12	31.8
4	6		37.1	13.7	3	10	12	30.5
6	3		36.9	15.3	2	12	14	29.5
6	8		39.9	15.3	5	12	14	32.5
6	10		40.7	15.3	5	12	14	33.3
6	12		46.3	15.3	5	14	14	38.9
6	18		49.6	15.3	5	19	14	42.2
8	6		40.3	16.2	5	14	17	32.8
8	10		42.0	16.2	6	14	17	34.5
8	12		47.6	16.2	6	14	17	40.1
10	6		42.4	17.2	5	17	19	34.8
10	8		43.4	17.2	6	17	19	35.8
10	12		49.8	17.2	8	17	19	42.2
10	15		51.3	17.2	8	17	19	43.7
10	18		51.3	17.2	8	19	19	43.7
12	6		44.9	22.8	5	22	22	34.8
12	8		45.9	22.8	6	22	22	35.8
12	10		46.7	22.8	8	22	22	36.6
12	16		53.8	22.8	10	22	22	43.7
12	18		53.8	22.8	10	22	22	43.7
12	20		56.1	22.8	10	22	22	46.0
12	22		56.1	22.8	10	24	22	46.0
12	25		62.4	22.8	10	27	22	52.3
16	12		53.0	24.4	10	24	27	42.9
18	12		54.6	24.4	10	27	30	44.5
18	16		56.1	24.4	14	27	30	46.0
18	20		57.6	24.4	14	27	30	47.5
18	22		57.6	24.4	14	27	30	47.5

18	25		62.4	24.4	14	27	30	52.3
20	16		57.9	26.0	14	30	32	47.8
20	18		57.9	26.0	16	30	32	47.8
20	22		59.4	26.0	16	30	32	49.3
20	25		64.2	26.0	16	30	32	54.1
22	18		57.9	26.0	16	30	32	47.8
22	20		59.4	26.0	18	30	32	49.3
22	25		64.2	26.0	18	30	32	54.1
25	18		63.1	31.3	16	35	38	50.8
25	20		64.6	31.3	18	35	38	52.3


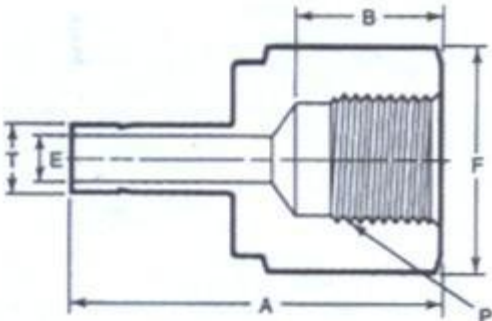
MALE TUBE ADAPTER,
MAC



UNIT=MM


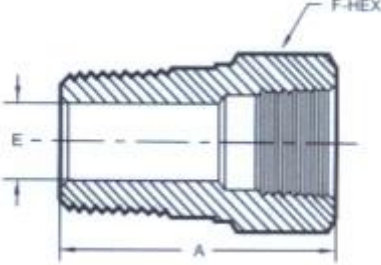
TUBE OD	PIPE SIZE						
IN	NPT		A	B	E	F	
1/4	1/8		32.8	10	4.6	12	
1/4	1/4		38.1	12	4.6	14	
1/4	1/4		39.1	12	6.4	14	
1/4	1/4		39.9	12	7.1	14	
3/8	3/8		40.6	14	7.1	17	
3/8	1/4		46.5	12	7.1	14	
3/8	3/8		51.8	14	9.1	17	
3/8	1/2		74.7	17	9.1	22	
1/2	1/4		43.4	13	10.0	14	
1/2	3/8		45.5	14	10.0	22	
1/2	1/2		51.8	17	10.0	27	
5/8	1/2		53.1	17	12.7	27	
3/4	1/2		52.8	17	15.0	27	
3/4	3/4		54.9	19	15.0	32	
1	3/4		60.7	19	20.0	32	
1	1		64.3	22	20.0	34	
MM	PT						

6	1/8		32.8	10	4.6	12
6	1/4		38.1	12	4.6	14
8	1/4		39.1	12	6.4	14
10	1/4		39.9	12	7.1	14
10	3/8		40.6	14	7.1	17
12	1/4		46.5	12	7.1	14
12	3/8		51.8	14	9.1	17
12	1/2		74.7	17	9.1	22

<p>FEMALE TUBE ADAPTER, FAC</p>			<p>UNIT=MM</p>
-------------------------------------	---	---	----------------

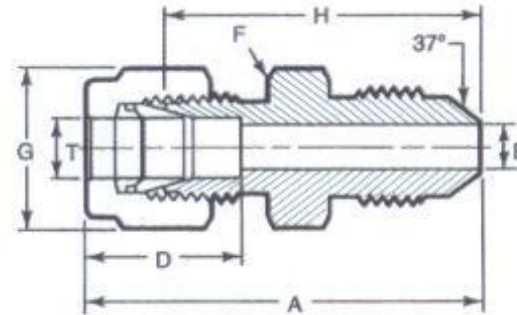
TUBE OD	PIPE SIZE		A	B	E	F
IN	NPT					
1/4	1/8		33.0	10	4.8	12
1/4	1/4		37.1	13	4.8	17
1/4	1/4		39.4	14	4.8	22
1/4	1/4		45.5	17	4.8	27
3/8	3/8		34.3	10	7.0	14
3/8	1/4		38.1	13	7.0	17
3/8	3/8		40.4	14	7.0	22
3/8	1/2		46.7	17	7.0	24
1/2	1/4		43.4	13	10.0	14
1/2	3/8		45.5	14	10.0	22
1/2	1/2		51.8	17	10.0	27
5/8	1/2		53.1	17	12.7	27
3/4	1/2		52.8	17	15.0	27
3/4	3/4		54.9	19	15.0	32
1	3/4		60.7	19	20.0	32
1	1		64.3	22	20.0	34

MM	PT					
6	1/8		32.5	10	4.8	14
6	1/4		37.1	13	4.8	17
8	1/4		37.6	13	6.0	17
10	1/4		38.1	13	8.0	17
10	3/8		40.1	14	8.0	22
12	1/4		43.4	13	10.0	17
12	3/8		45.5	14	10.0	22
12	1/2		51.8	17	10.0	27

REDUCING BUSHING				UNIT=MM

P	P1				
MALE	FEMALE			E	F
PT/NPT	PT/NPT			MIN	HEX
SIZE	SIZE		A	OPENING	FLTA
1/4	1/8		20	7	14
3/8	1/8		25	7	17
3/8	1/4		25	11	17
1/2	1/8		27	7	22
1/2	1/4		27	11	22
1/2	3/8		27	14	22
3/4	1/4		30	11	27
3/4	3/8		30	14	27
3/4	1/2		30	19	27
1	1/4		35	11	35
1	3/8		35	14	35
1	1/2		35	19	35
1	3/4		35	22	35

AN UNION
CONNECTOR,
UCC



UNIT=MM

T TUBE O.D.	AN MALE SIZE	A	D	E	F	G	H
1/4	1/4	37.6	15.2	4.3	12	14	30.2
3/8	1/4	39.6	16.8	4.3	17	17	32.3
3/8	3/8	39.6	16.8	7.1	17	17	32.3
1/2	3/8	46.0	22.8	8.0	22	22	33.2
1/2	1/2	46.0	22.8	9.9	22	22	35.8
3/4	1/2	53.3	24.4	12.0	27	30	43.2
3/4	3/4	53.3	24.4	15.5	27	30	43.2
1	1	61.5	31.2	21.3	35	38	49.3