

AL1000-5000



Numbering System: MODEL - BODY SIZE - PORT SIZE - OPTIONS				
MODEL	BODY SIZE	PORT SIZE	Standard Features	Options
AC	1000	00=10-32 (M5) 01=1/8 NPT 02=1/4 NPT 03=3/8 NPT 04=1/2 NPT 06=3/4 NPT 10=1 NPT	125 PSI Regulating Range Polycarbonate Bowl Semi-Auto Differential Drain F25=25 Micron Filter (Sintered Brass) Relieving Type	D=Automatic Drain (For 2000 TO 5000 Series Filter) M=Aluminum Metal P30=30PSI Regulating Range P60=60 PSI Regulating Range 5 Micron Filter
	2000			
AW	2500			
	3000			
AR	4000			
	5000			
AF				
AL				
AC	1010			
	2010			
	3010			
	4010			
	5010			

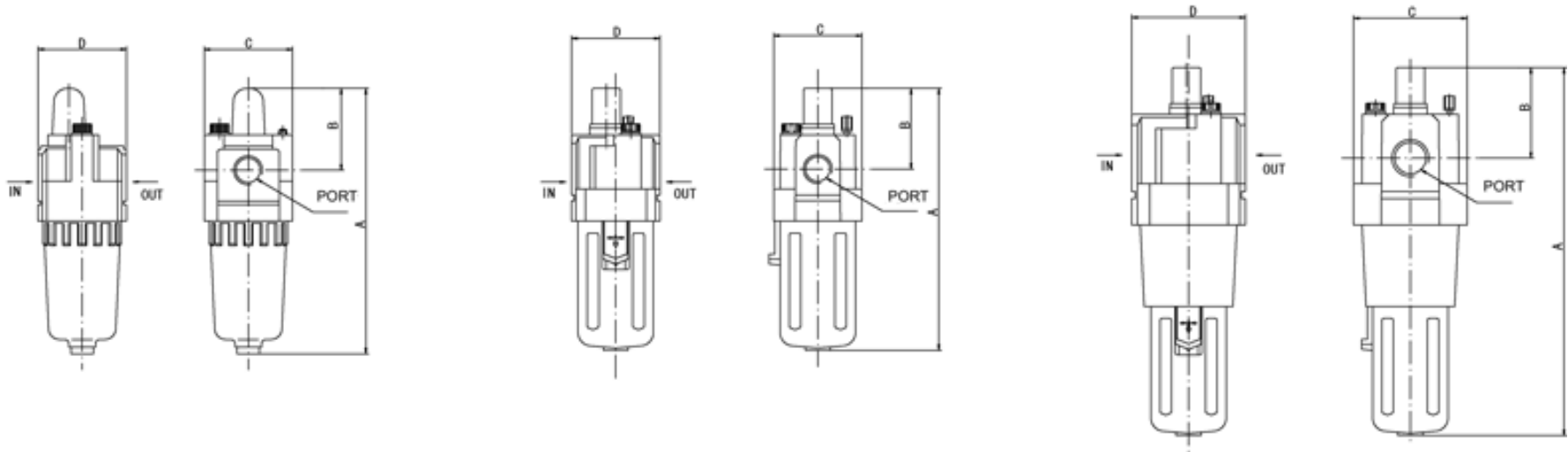
zSpecifications:**A Series FRL Interchangeable with SMC - NAC SERIES FRL**

These FRL components are of Modular design with joiner clamps and allow you to easily connect and disconnect FRL components for simple installation and maintenance.

Regulator-Filter-Lubricator	AC1000-XX	AC2000-XX	AC3000-XX	AC4000-XX	AC4000-06	AC5000-XX
Flow Rate* SCFM (LPM)	3 (90)	18 (500)	70 (2000)	140 (4000)	160 (4500)	180 (5000)
Stacking Regulator-Filter-Lubricator	AC1010-XX	AC2010-XX	AC3010-XX	AC4010-XX	AC4010-06	AC5010-XX
Flow Rate* SCFM (LPM)	3 (90)	18 (500)	60 (1700)	105 (3000)	105 (3000)	140 (4000)
Stacking Regulator-Filter	AW1000-XX	AW2000-XX	AW3000-XX	AW4000-XX	AW4000-06	AW5000-XX
Flow Rate* SCFM (LPM)	3 (90)	19 (550)	70 (2000)	140 (4000)	160 (4500)	195 (5500)
Regulator	AR1000-XX	AR2000-XX	AR3000-XX	AR4000-XX	AR4000-06	AR5000-XX
Flow Rate* SCFM (LPM)	4 (100)	19 (550)	88 (2500)	210 (6000)	210 (6000)	280 (8000)
Filter	AF1000-XX	AF2000-XX	AF3000-XX	AF4000-XX	AF4000-06	AF5000-XX
Flow Rate* SCFM (LPM)	4 (110)	26 (750)	70 (2000)	140 (4000)	210 (6000)	245 (7000)
Lubricator	AL1000-XX	AL2000-XX	AL3000-XX	AL4000-XX	AL4000-06	AL5000-XX
Flow Rate* SCFM (LPM)	3 (90)	28 (800)	60 (1700)	180 (5000)	220 (6300)	245 (7000)
Port Size	10-32 (M5)	1/8 or 1/4 NPT	1/4 or 3/8 NPT	3/8 or 1/2 NPT	3/4 NPT	3/4 or 1 NPT
Port Size (Pressure Gauge)	1/16 RC (PT)	1/8 NPT	1/8 NPT	1/4 NPT	1/4 NPT	1/4 NPT
Regulating Range	7-100 PSI	7-125 PSI (0.5-8.5 kgf/cm ²)				
Max. Operating Pressure	150 PSI (9.9 kgf/cm ²)					
Operating Temperature	40-140°F (5-60°C)					
Filtration	5 micron filter (standard); 25 Micron (Sintered Brass Filter)					
Bowl Material	Polycarbonate (standard) or Aluminum Metal					
Bowl Guard	N/A		Steel Bowl Guard			
Body Material	Die-Casting Aluminum					
Construction/Regulator	Relieving Type					
Filter Drain	Semi-Auto Differential Drain			Semi-Auto Differential Drain (Standard) or Automatic Drain		

*Measured with Supply Pressure @100 PSI and Set Point Pressure @75 PSI

Lubricator Dimensions



Model	Flow Rate (lpm/scfm)	Port	A (mm/in)	B (mm/in)	C (mm/in)	D (mm/in)	Bracket	Weight (kg/lb)
AL1000-00	95	10-32 (M5)	81.5	25.5	25		B140	0.07
	3		3.21	1.00	0.98			0.15
AL2000-01	800	1/8 NPT	122	38	40	40	B240	0.22
AL2000-02	28	1/4 NPT	4.80	1.50	1.57	1.57		0.48
AL3000-02	1700	1/4 NPT	142	38	53	53	B340	0.3
AL3000-03	60	3/8 NPT	5.59	1.50	2.09	2.09		0.66
AL4000-03	5000	3/8 NPT	177	41	70	70	B440	0.56
AL4000-04	180	1/2 NPT	6.97	1.61	2.76	2.76		1.23
AL4000-06	6300	3/4 NPT	177	39	70	70	B540	0.58
	220		6.97	1.54	2.76	2.76		1.28
AL5000-10	245	1 NPT	10.00	1.77	3.54	3.54		2.38