

PRODUCT ID: 36693

Switch

MODEL

SG2-R SPST/24VDC

DIMENSIONS

4.5" H x 2.75" W x 1" D (est. 0.191 lbs)

CONSTRUCTION

Finish: Switch plate brushed stainless steel

Switch: Switch with indicator lights

Switch plate: Stamped stainless steel pre-punched for switch(es) and indicator light(s)

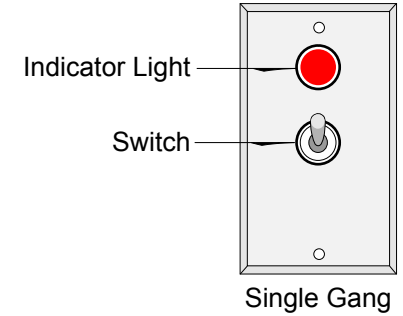
ELECTRICAL

Input Voltage: 24VDC

Product View

NOTE: Sign image may not exactly represent the finished product. For illustration purposes only.

Front View



Schematic View

