

# PRODUCT ID: 33203

## Switch

### MODEL

SG2 SPST/12VDC

### DIMENSIONS

4.5" H x 2.75" W x 1" D (est. 0.69 lbs)

### CONSTRUCTION

**Finish:** Switch plate brushed stainless steel

**Switch:** Switch with indicator lights

**Switch plate:** Stamped stainless steel pre-punched for switch(es) and indicator light(s)

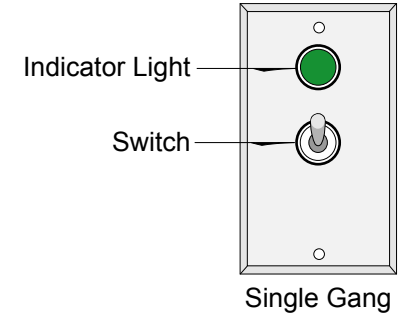
### ELECTRICAL

**Input Voltage:** 12VDC

## Product View

NOTE: Sign image may not exactly represent the finished product. For illustration purposes only.

### Front View



### Schematic View

