

**PRODUCT ID: 3025**  
Recessed Frame

**MODEL**  
RFI

**DIMENSIONS**  
17" H x 10" W x 1.75" D (est. 2.189 lbs)

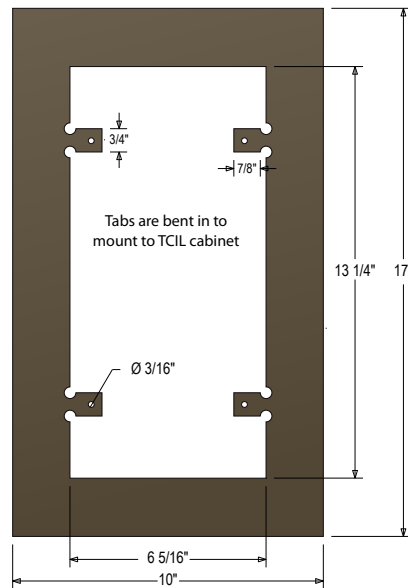
**CONSTRUCTION**  
Finish: Duranodic Bronze  
Material: Formed 1/8" CNC routed aluminum. Holes for mounting sign pre-drilled.

**INSTALLATION**  
Note: Wall opening should be 0.5" larger than sign OD

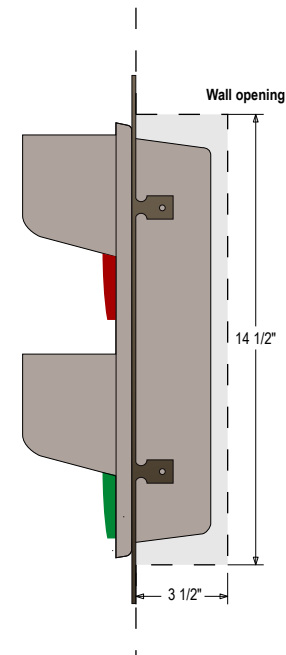
**Product View**

NOTE: Sign image may not exactly represent the finished product. For illustration purposes only.

Back View

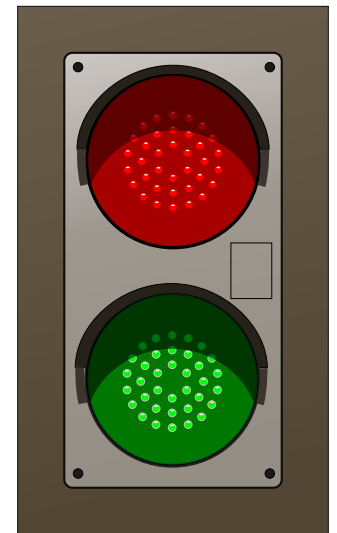


Side View



Wall opening must be 14-1/2" H x 7-1/2" L x 3-1/2" D

Front View



Illustrated using a vertical TCIL LED Signal horizontal similar.