

PRODUCT ID: 18247

Recessed Frame

MODEL

RF1214

DIMENSIONS

15" H x 17" W x 1.75" D (est. 3.283 lbs)

CONSTRUCTION

Finish: Duranodic Bronze

Material: Formed 1/8" CNC routed aluminum. Holes for mounting sign pre-drilled.

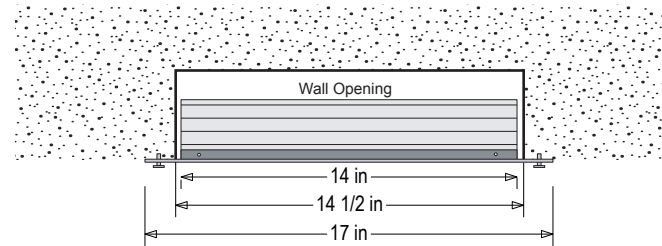
INSTALLATION

Note: Wall opening should be 0.5" larger than sign OD

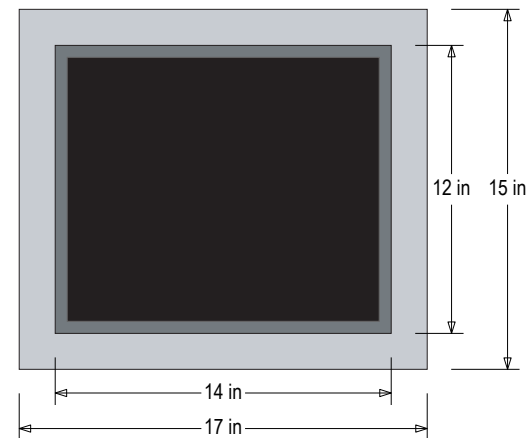
Product View

NOTE: Sign image may not exactly represent the finished product. For illustration purposes only.

TOP VIEW



FRONT VIEW



SIDE VIEW

