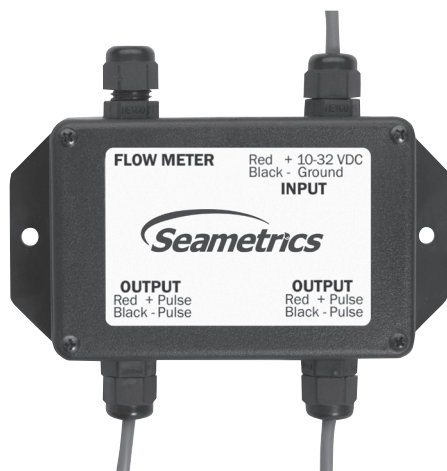


PS40

PULSE SPLITTER



APPLICATIONS

Cooling tower/boiler water treatment

Pacing chemical metering pumps

Driving multiple pumps, counter timers, remote totalizers

Features

- Rugged ABS plastic housing
- Optoisolated Transistor and relay outputs

The **PS40** is a low-voltage device that allows a Seametrics flow sensor to drive multiple (up to four) pulse-responsive devices, such as solenoid-driven chemical metering pumps, counter timers, or remote totalizers. It requires an external DC power supply for operation and can provide power to a single low power Seametrics flow sensor, such as an MJE meter. It can also be used with a dry contact sensor, such as the MJR reed switch meter.

Contact Your Supplier

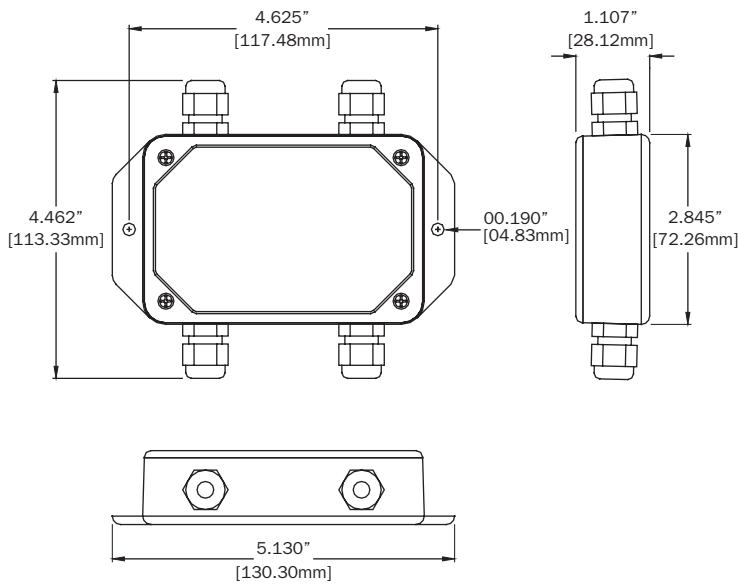


Specifications*

Power	10–32 Vdc
Relay	Operational frequency = 50 Hz max Contacts = 250 mA max, 36 Vdc max, 3 W max.
Optoisolation	10 mA max @ 30 Vdc max
Outputs	Three open collector optoisolated One Form C relay
Environmental	NEMA 4X, IP66

* Specifications subject to change. Please consult our website for current data. Please consult our website for current data (seametrics.com).

Dimensions



User is responsible for reviewing end use application with their supplier for product suitability.