

## RLK8-810B4-A

### 4K PoE System for 24/7 Recording

- 4K 8MP Ultra HD
- Person/Vehicle Detection
- 2TB HDD 8-Channel NVR

## Specifications

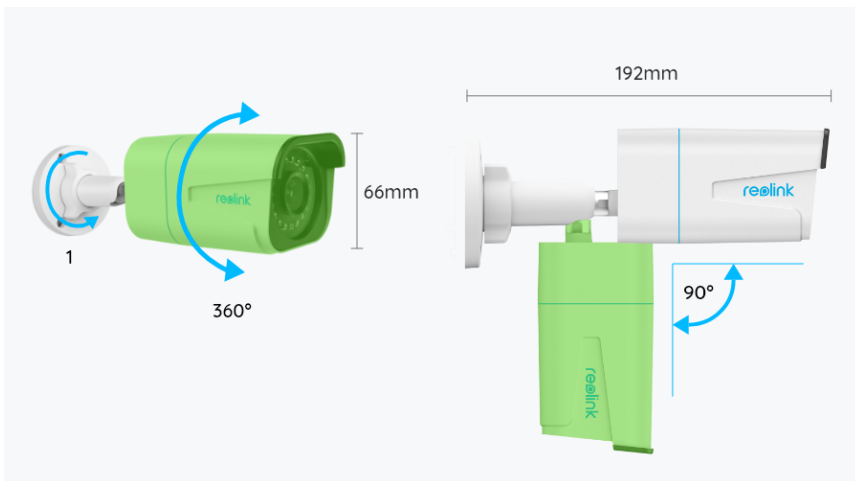
Video & Audio	
Image Sensor	1/2.49" CMOS Sensor
Video Resolution	Default: 3840X2160 (8 megapixels) @20FPS
Lens	f=4.0 mm fixed, F=2.0, with IR cut
Video Compression	H.265
Field of View	• Horizontal: 87° • Vertical: 44°
Day & Night	IR-cut filter with auto-switching
Night Vision	30 meters (100ft) (LED: 18pcs/14mil/850nm)
Frame Rate	• Mainstream: 2fps - 20fps (default: 20fps) • Substream: 4fps - 15fps (default: 10fps)
Code Rate	• Mainstream: 4096Kbps - 8192Kbps (default: 6144Kbps) • Substream: 64Kbps - 512Kbps (default: 256Kbps)
Audio	Audio recording
Video Format	
Detection/Recording Modes	

Smart Alarms	Person detection/vehicle detection/ motion detection
Recording Modes	Motion-triggered recording (default), scheduled recording, 24/7 recording
<b>Power</b>	
PoE	IEEE 802.3af, 48V Active
DC Power	DC 12.0V $\frac{63}{3}$ 1A, <12W
<b>Interface</b>	
Power	DC power port
System	Reset button
Ethernet	One 10M/100Mbps RJ45
Audio	Built-in microphone
<b>Working Environment</b>	
Temperature	Operating temperature: -10°C~+55°C (14°F~131°F)
Humidity	Operating humidity: 10% ~ 90%
Weatherproof	IP67
<b>Size &amp; Weight</b>	
Dimensions	Φ66 x 192mm
Weight	485g
<b>Warranty</b>	
Limited Warranty	2-year limited warranty. For support, visit <a href="https://support.reolink.com/hc/en-us/">https://support.reolink.com/hc/en-us/</a>

## Gallery & Specs



1. Mount
2. Metal Aluminum Case
3. 18 IR LEDs
4. High Definition Lens (f=4.0mm)
5. Daylight Sensor



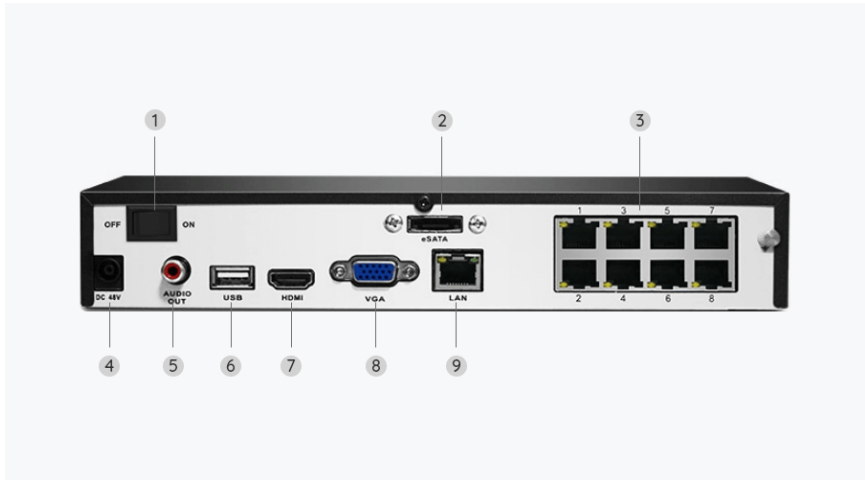
1. Unscrew it (counterclockwise) to loosen the bracket and adjust the camera in any direction.  
2. After adjustment, twist it back to fix the camera.



1. Power
2. Reset Button
3. Network
4. Waterproof Lid



1. USB Port
2. Power LED/HDD LED
3. Control Panel



1. On/Off Switch
2. eSATA
3. RJ45
4. Power Input
5. Audio Out
6. USB Port
7. HDMI Port
8. VGA Port
9. Network



1. Mount
2. Metal Aluminum
3. 18 IR LEDs
4. High Definition Lens (f=4.0 mm)
5. Daylight Sensor