

RLK12-500WB4

5MP 12CH Dual-Band Wi-Fi Surveillance System, 12-Channel NVR with 1TB HDD, 4pcs of 5MP Cameras, Intelligent Detection, 24/7 Recording, IP67 Weatherproof Rating, and More.

- 5MP HD with Dual-Band WiFi
- Person/Vehicle/Animal Detection
- 12-Channel NVR Recorder with 1TB HDD



Specifications

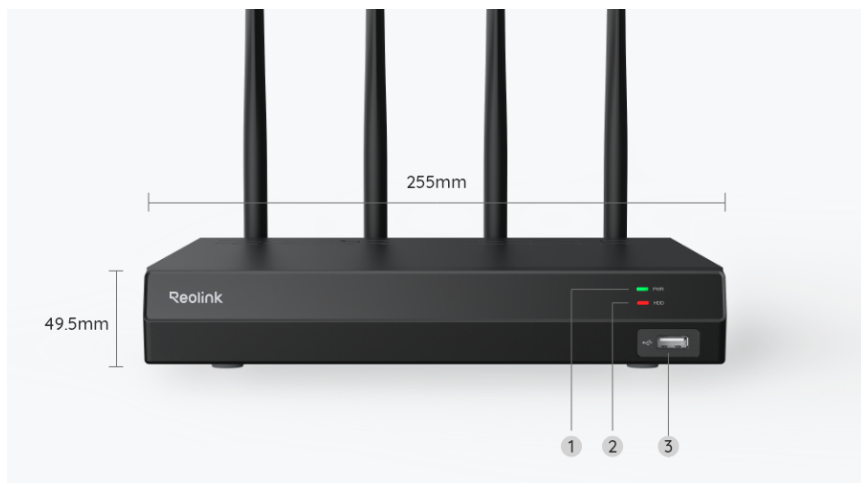
Video/Audio Input	
IP Video Input	Up to 16 IP cameras
Audio Input	Cameras with built-in mic
Video/Audio Output	
Video Output	VGA, HDMI
Display Resolution	HDMI: 3840x2160, 1920x1080, 1280x1024, 1280x720, 1024x768 VGA: 1920x1080, 1280x1024, 1280x720, 1024x768
Audio Output	1-channel, RCA
Decoding	
Video Compression	H.265/H.264
Live View / Playback Resolution	7680×2160, 4608×1728, 4512×2512, 4096×3072, 3840×2160, 2560×2560, 2560×1920, 2560×1440, 2048×1536, 2304×1296, 1080p, 720p

Synchronous Playback	Up to 4 channels
HDD	
SATA	1 x SATA interface (1 x 1TB HDD included)
Capacity	Up to 16TB
External Interface	
USB Interface	2 x USB 2.0
Network Interface	4 x RJ-45, 10/100 Mbps self-adaptive (for IP cameras) 1 x RJ-45, 10/100 Mbps self-adaptive (for LAN/WAN)
Wi-Fi	
Wireless Standard	IEEE 802.11a/ac/ax/ b/g/n
Operating Frequency	2.4 GHz/5 GHz
Wireless Security	WPA/WPA2/WPA3
Network	
Network Protocols	HTTPS, TCP/IP, UDP, DHCP, P2P, UPNP, RTMP, RTSP, SMTP, SSL/TLS, DNS, DDNS, NTP, FTP
Browser Supported	Edge, Firefox, Chrome, Safari
OS Supported	PC: Windows, Mac OS; smartphone: iOS, Android
Max. User Access	Max. 20 users (1 admin & 19 users); Max. 12 simultaneous streams (10 sub & 2 main streams)
General	
Power Supply	DC 12V/2A
Power Consumption	<10W (with 1TB HDD)
Working Environment	Temperature: -10°C--+45°C (14°F-113°F); Humidity: 10%-90%
Dimensions	255mm(W) x 49.5mm(H) x 222.7mm(D)
Weight	1.4kg
Warranty	

Limited Warranty

2-year limited warranty. For support, visit <https://support.reolink.com/hc/en-us/>.

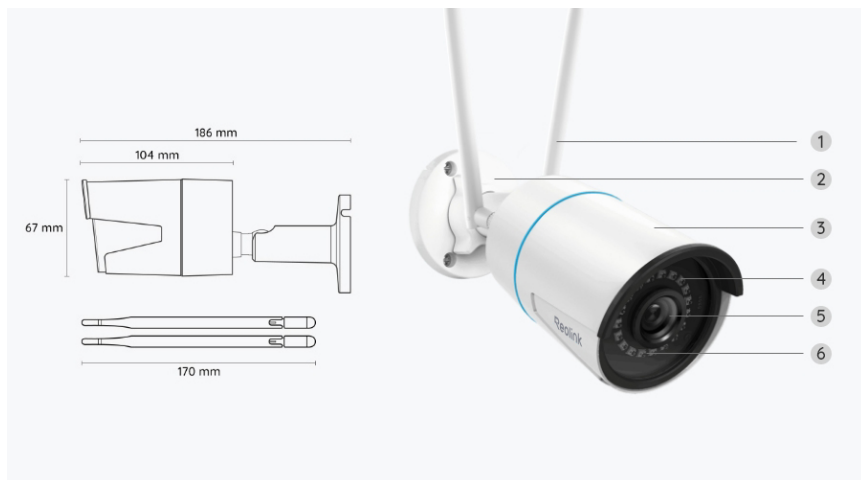
Gallery & Specs



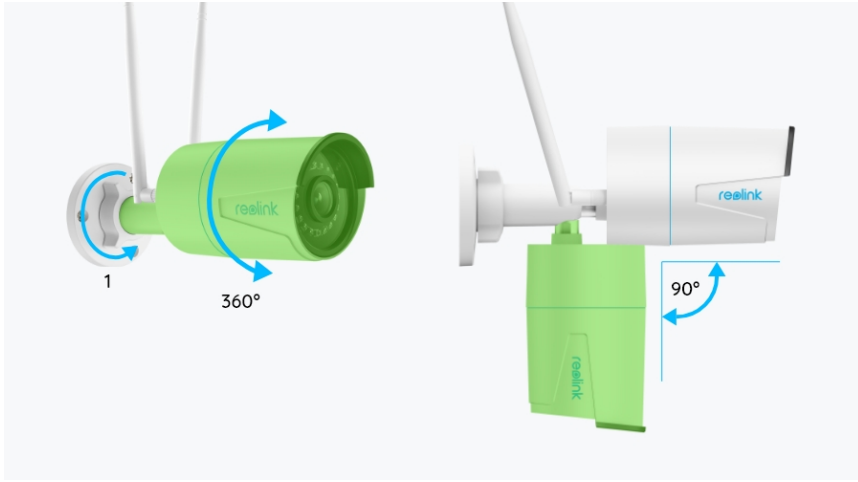
1. Power LED
2. HDD LED
3. USB Port



1. Antenna
2. Reset Button
3. Power Input
4. USB Port
5. HDMI Port
6. VGA Port
7. Audio Output
8. LAN Port (For Internet)
9. LAN Port (For IP Cameras)



1. Antenna
2. Bracket
3. Metal-Aluminum Housing
4. IR LEDs
5. High-Resolution Lens
6. Daylight Sensor



1. Turn the adjustment knob counterclockwise to loosen the bracket and adjust the camera in any direction.
2. After adjustment, rotate the adjustment knob back to secure and fix the camera in place.



1. Power Port
2. Reset Button
3. Network Port