

Reolink Professional Series

RP-PCT8M

4K Smart PoE Camera with Color Night Vision



4K

4K Resolution



Color
Night Vision



125° Ultra-Wide
Diagonal Field of View



Smart Event
Detection



Perimeter
Protection



Multiple Recording
Options



Person & Object
Detection



IP67
Weatherproof



Infrared
Night Vision



Active
Deterrence



Two-Way
Audio



Metal
Housing



Works with
Google Assistant



Time-Lapse
Recording



Multi-Platform
Remote Access



H.265/H.264 Dual
Codec Support

Reolink Feature Descriptions

Smart Detection

The Smart Detection system accurately identifies a wide range of targets, including people, vehicles, animals,. It can also recognize abnormal events such as Object Removal and Forgotten Object, enhancing situational awareness and security response.

Perimeter Protection

Reolink's Perimeter Protection provides a powerful layer of security by monitoring defined areas with precision. It features Line Crossing Alerts to detect movement across virtual boundaries, Zone Intrusion Alerts for unauthorized entry into preset zones, and Zone Loitering Alerts to flag prolonged presence in sensitive areas. These smart functions enable proactive threat detection and faster response.

512GB microSD Card Storage

Supports up to 512GB microSD card, allowing for extended local storage of high-resolution footage without relying on external devices. This ample capacity allows for longer recording durations and easy playback access, providing reliable video retention for enhanced security.

Multiple Light Modes

Equipped with both infrared LEDs and spotlights, the camera offers flexible lighting options. It automatically switches to infrared mode at night for clear black-and-white images in low-light environments. When spotlight is enabled, it delivers full-color night vision. Choose from three spotlight modes—Always On, Alarm-Triggered, and Manually Off—to suit different security needs and provide effective visual deterrence.

Rugged & Weatherproof Design

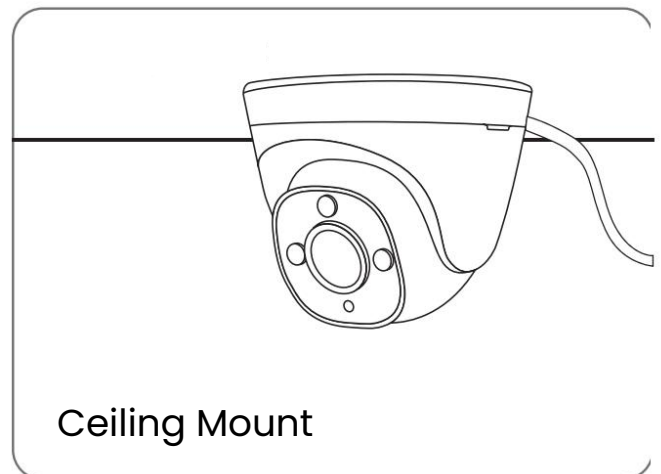
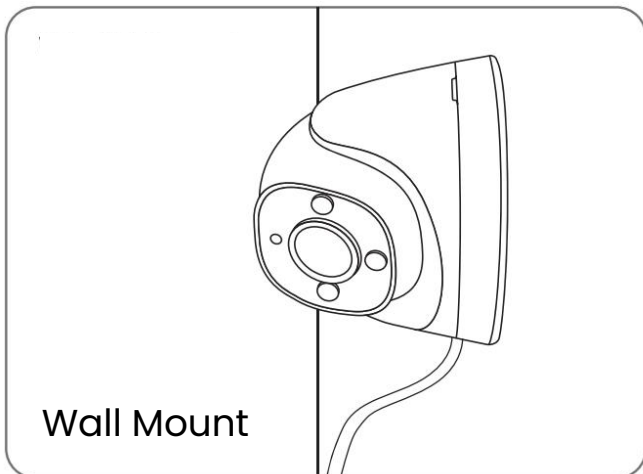
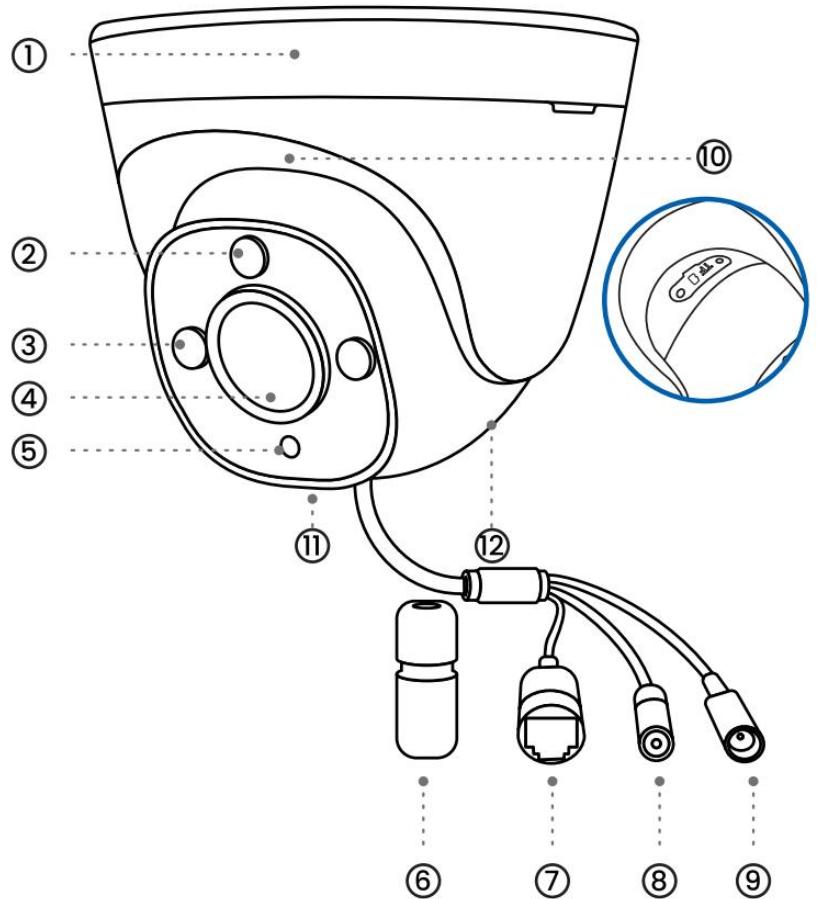
Built for the outdoors, the camera features an IP67-rated enclosure for full protection against dust and water. It operates reliably in extreme temperatures from -30°C to +55°C (-22°F to 131°F), making it ideal for harsh environments. The sturdy metal housing enhances durability and impact resistance, ensuring long-term stability and dependable performance in all weather conditions.





Reolink Specification

Video & Audio	
Image Sensor	1/2.7" CMOS Sensor
Resolution	3840x2160 (8 Megapixels) @25fps
Lens	f=2.8mm fixed, F=1.6
Zoom	NA
Video Compression	H.265/H.264
Frame Rate	Main Stream: 2fps - 25fps(default: 25fps)
	Sub Stream: 4fps - 15fps(default: 10fps)
Code Rate	Main Stream: 2048Kbps - 9216Kbps(default:7168Kbps)
	Sub Stream: 64Kbps - 512Kbps(default: 256Kbps)
Field of View	Horizontal: 105°
	Vertical: 56°
	Diagonal: 125°
Day & Night	IR-cut filter with auto-switching
Infrared Night Vision	Up to 30 meters(100ft); LED: 2pcs/850nm
Color Night Vision	Spotlight: 1pc LED/6500K/700 Lumens
Audio	Two-way audio
AI	
Person & Object Detection	Person Detection, Vehicle Detection, Animal Detection, Motion Detection
Smart Event Detection	Object Removal Detection(Beta) , Forgotten Object Detection(Beta)
Perimeter Protection	Line Crossing Alert, Zone Intrusion Alert, Zone Loitering Alert
Smart Detection Setting	Person object size; Person sensitivity; Person alarm delay; Vehicle object size; Vehicle sensitivity; Vehicle alarm delay; Animal object size; Animal sensitivity; Animal alarm delay; Detection zone
Software	
Browsers Supported	Edge, Chrome, Firefox, Safari
OS Supported	PC: Windows, Mac OS; Smartphone: iOS, Android
Protocols & Standards	HTTPS, SSL, TCP/IP, UDP, HTTP, IPv4, UPnP, RTSP, RTMP, SMTP, NTP, DHCP, DNS, DDNS, FTP, P2P, ONVIF
User Access	Max. 20 users (1 admin & 19 users); Max. 12 simultaneous streams (2 main & 10 sub streams)
Other Features	
Record Mode	Motion-triggered recording (default); Scheduled recording, 24/7 recording
Smart Home Compatibility	Google Assistant
Time Lapse	Yes
Power	
PoE	IEEE 802.3af, 48V, Active
DC Power	DC 12.0V= 1A, <12W
Interface	
Reset Button	Yes
Ethernet	One 10M/100Mbps RJ45
Storage	microSD card slot (Max. 512GB), Reolink NVR, FTP
Audio In/Out	Built-in Microphone & Speaker
Working Environment	
Operating Temperature	-30°C~+55°C
Operating Humidity	10% ~ 90%
Weatherproof	IP67
Mechanical	
Dimensions	Φ117.4 x 103.8mm
Weight (Without Accessories)	526g
Warranty	
Limited Warranty	2-year limited warranty. For support, visit https://support.reolink.com/hc/en-us/ .

Reolink Product Explanation

- ① Mount
- ② Spotlight
- ③ Infrared Lights
- ④ Lens
- ⑤ Daylight Sensor
- ⑥ Waterproof Lid
- ⑦ LAN Port
- ⑧ Reset Button
- ⑨ Power Port(optional)
- ⑩ microSD Card Slot
- ⑪ Built-in Mic
- ⑫ Speaker



 reolink.com  sales@reolink.com  @ReolinkTech  @Reolinkcams  @ReolinkCameras

Note: Data subject to change without notice