



GUARDIAN™ 2000

Hotplate Stirrers



Rugged and Reliable Analog Hotplates and Stirrers for General Purpose Heating and Stirring

Dependable OHAUS Guardian 2000™ Hotplates and Stirrers are ideal for education and other lab environments that require affordable, everyday fast heating and reliable stirring up to 15L. All three sizes offer simple knob control to easily adjust the heating and stirring functions. The durable housing includes a built-in support rod holder which accepts the optional support rod. Stirring models include PTFE coated stir bars.

Unique Features:

- Powerful stirring and fast heating at an economical price. Safely heat up to 500°C and stir up to 15L with easy to use knob control for simple and reliable everyday heating and stirring in the lab.
- Designed to last - the rugged metal housing has a spill resistant design for long life in the lab under harsh conditions. The smooth, chemical-resistant ceramic top plate is perfect for easy clean up.
- Safety is of utmost importance - the prominent hot top indicator light illuminates when the heater is above 40°C, keeping the end user safe during all heating applications.

GUARDIAN™ 2000 Hotplate Stirrers

Specifications

Model	e-G21ST04R	e-G21HP04C	e-G21HS04C
Function	Stirring	Heating	Heating and Stirring
Top Plate Size	4 x 4 in / 10.2 x 10.2 cm		
Speed Range	200 - 1600 rpm	–	200 - 1600 rpm
Temperature Range	–	70 °C - 500 °C	
Control	Analog		
Capacity	15 L		
Top Plate Material	Resin	Ceramic	
Dimensions (H x L x W)	4.3 x 10.4 x 6.4 in / 11.0 x 26.4 x 16.3 cm		
Net Weight	4.7 lb. / 2.1 kg	4.0 lb. / 1.8 kg	5.5 lb. / 2.5 kg
Power	100V-120V ~2A 50/60Hz 220V-240V ~1A 50/60Hz	100V-120V ~5A 50/60Hz 220V-240V ~4A 50/60Hz	
Power Consumption	35W (100~120V) / 35W (220~240V)	505W (100~120V) / 505W (220~240V)	535W (100~120V) / 535W (220~240V)
Working Environment	41 °F – 104 °F, 80 % RH, non-condensing / 5 °C – 40 °C, 80 % RH, non-condensing		

Model	e-G21ST07R	e-G21HP07C	e-G21HS07C
Function	Stirring	Heating	Heating and Stirring
Top Plate Size	7 x 7 in / 17.8 x 17.8 cm		
Speed Range	200 - 1600 rpm	–	200 - 1600 rpm
Temperature Range	–	70 °C - 500 °C	
Control	Analog		
Capacity	15 L		
Top Plate Material	Resin	Ceramic	
Dimensions (H x L x W)	4.4 x 12.5 x 8.8 in / 11.2 x 31.8 x 22.3 cm		
Net Weight	6.2 lb. / 2.8 kg	7.1 lb. / 3.2 kg	8.6 lb. / 3.9 kg
Power	100V-120V ~2A 50/60Hz 220V-240V ~1A 50/60Hz	100V-120V ~10A 50/60Hz 220V-240V ~7A 50/60Hz	
Power Consumption	35W (100~120V) 35W (220~240V)	1005W (100~120V) 1005W (220~240V)	1035W (100~120V) 1035W (220~240V)
Working Environment	41 °F – 104 °F, 80 % RH, non-condensing / 5 °C – 40 °C, 80 % RH, non-condensing		

Model	e-G21STRDS	e-G21HPRDS	e-G21HSRDS
Function	Stirring	Heating	Heating and Stirring
Top Plate Size	5.3 in diameter / 13.5 cm diameter		
Speed Range	200 - 1600 rpm	–	200 - 1600 rpm
Temperature Range	–	50 °C - 380 °C	
Control	Analog		
Capacity	15 L		
Top Plate Material	Ceramic Coated Stainless Steel		
Dimensions (H x L x W)	4.0 x 10.4 x 6.4 in / 10.1 x 26.4 x 16.3 cm		
Net Weight	5.1 lb. / 2.3 kg	4.0 lb. / 1.8 kg	5.5 lb. / 2.5 kg
Power	100V-120V ~5A 50/60Hz 220V-240V ~4A 50/60Hz	100V-120V ~5A 50/60Hz 220V-240V ~4A 50/60Hz	
Power Consumption	35W (100~120V) 35W (220~240V)	505W (100~120V) 505W (220~240V)	535W (100~120V) 535W (220~240V)
Working Environment	41 °F – 104 °F, 80 % RH, non-condensing / 5 °C – 40 °C, 80 % RH, non-condensing		

GUARDIAN™ 2000 Hotplate Stirrers

Specifications & Accessories

GUARDIAN 2000	
Application Modes	Boiling Liquids, Basic Sample and Solution Preparation, Dissolving Buffers and Reagents, Preparing Media, Concentrating Samples

Item No.	Description	e-G21HSRDS e-G21HS07C e-G21HS04C	e-G21HPRDS e-G21HP07C e-G21HP04C	e-G21STRDS e-G21ST07R e-G21ST04R
30500597	Vessel Clamp	●	●	●
30500598	Stir Bar Retriever	●		●
30983667	Connecting Clamp S/S Grip 13mm & 13mm	●	●	●
30983668	Support Rod S/S D13 x L450 mm THR.M10	●	●	●
30392314	Clamp, Specialty, Column, CLS-COLMNSS	●	●	●
30392315	Clamp, Specialty, Column, CLS-COLMNSM	●	●	●
30392316	Clamp, Specialty, Column, CLS-COLMNSL	●	●	●
30392317	Clamp, Specialty, Column, CLS-COLMNSX	●	●	●
30392318	Clamp, Specialty, Nester, CLS-NESTXS	●	●	●
30400147	Spinbar 2.5 cm PTFE	●		●
30400148	Spinbar 3.8 cm PTFE	●		●
30400149	Spinbar 7 cm PTFE	●		●
30400150	Spinbar 10 cm with Pivot Ring PTFE	●		●
30692826	Holder Kit Thermometer e-G31	●	●	●
30726783*	Spinbar with a Pivot 3.8 cm PTFE	●		●

* 30726783 is a pack of 5 spinbars



Use OHAUS clamps and supports to hold sample vessels steadily to avoid accidental falls
Scan QR code at the bottom page to learn more.



Use OHAUS clamps and supports to hold external thermometers to measure sample temperature.
Scan QR code at the bottom page to learn more.



The prominent, amber hot top indicator light illuminates when the heater is above 40°C.
The green dot lights indicate heating and stirring ON/OFF.

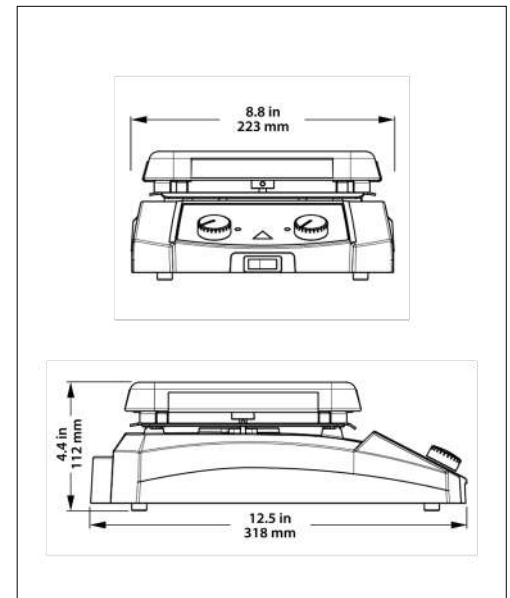
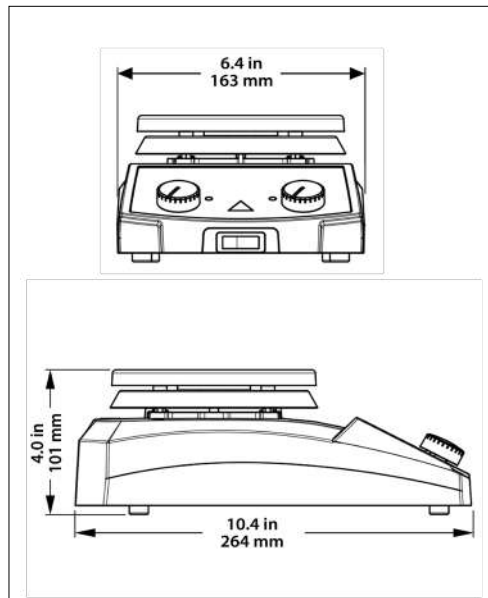
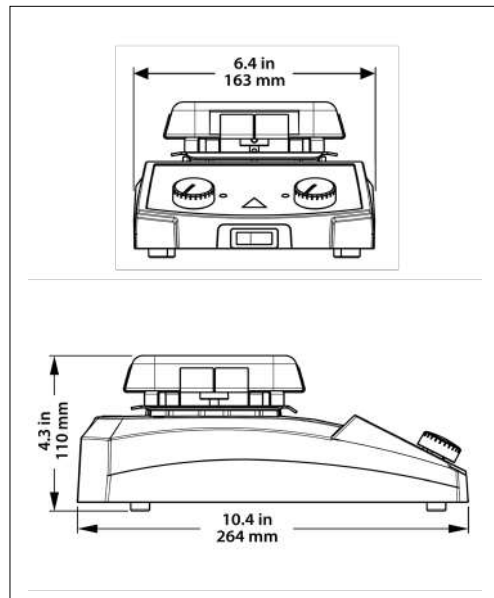
GUARDIAN™ 2000 Hotplate Stirrers

Outline Dimensions

e-G21HS04C, e-G21HP04C, e-G21ST04R

e-G21HSRDS, e-G21HPRDS, e-G21STRDS

e-G21HS07C, e-G21HP07C, e-G21ST07R



Other Features and Equipment

Green indicator lights when unit is heating and stirring with simple control knobs for easy temperature and speed adjustments, one PTFE coated stir bar (included with stirring models), ON/OFF switch for heater disconnect, built-in support rod holder

Compliance

- **Product Safety:** CE, TUV, TÜV SÜD certified to CAN/CSA C22.2 61010-1; CAN/CSA C22.2 61010-2-010; CAN/CSA C22.2 61010-2-051; UL 61010-1; UL 61010-2-010; UL 61010-2-051
- **Electromagnetic Compatibility:** Canada ICES-003 Class A; FCC Part 15 Class A
- **Other:** IP21

Download Datasheets of our Clamps, Frames and Lab Lifts, and Achiever Overhead Stirrers:

Click the image or use the QR code

Multi-Purpose & Specialty Clamps

A LabLine Clamp for Every Application—Choose From Over 85 Options to Hold Everything in Your Lab

LabLine Clamps are designed to securely grip and position laboratory apparatus. Extension arm clamps with a 360° rotation allow placement of apparatus at various distances from lab frames and are easily secured with optional holders. Swivel, fixed position and thermometer clamps easily hold apparatus near the lab frame or stand and have a built-in holder for simple attachment to lab-frame apparatus. Flow-control clamps available in 7 sizes.

Standard Features:

- **Order of Stainless Steel or Zinc to Best Suit Your Application**
- Corrosion resistant stainless steel clamps provide excellent chemical resistance, durability, and can be adjusted to hold standard clamps or high tensile strength or aerospace alloys.
- **Secure Any Glassware and Apparatus with Steady 2 and 3 Prong Clamps**
- Permanent accents on the lab-line multi-purpose LabLine clamps securely hold glassware and irregularly shaped objects. Select from a variety of grip sizes, prong styles and adjustment types.
- **Specialty Designed Clamps for a Flexible Fit**
- Choose from a variety of specialty LabLine clamps with adjustable features to provide an exact fit for the new such as thermometers, thermocouples, calipers, harvest, and special lockers tools.



Rods, Frames and Supports

LabLine Ensures Secure Support for Holding Your Labware and Apparatus with Over 150 Options

LabLine offers the largest selection of Lab-Line Kits, Lab Lifts, Rods, Support Stands and Connectors in the industry to safely hold labware. Whether you need a standard lift frame or a custom design, we can set up, we have options to fit any space or application. Dependable connectors secure rods and clamps to meet your requirements and the unique holders in a variety of sizes and materials accommodate different rods up to 24 mm in diameter.

Unique Features:

- **Select the Right Material for the Job**
- Corrosion resistant stainless-steel rods and connectors are available to guarantee stainless steel, offering high-chemical resistance and durability. Aluminum offers reliable strength at a lighter weight.
- **Flexibility and Versatility for your Lab**
- Simply set up! The three lab frame kit options are available with four designed to fit in frame heights. Built-in pipe support system choosing from a wide selection of rods, bases and connectors.
- **Providing Convenience with Exceptional Stability and Durability**
- Lab lifts offer convenient adjustable lifting platforms with exceptional strength and stability to holding small lab equipment such as glassware, hot plates and water baths at different heights.



ACHIEVER™ 5000
Overhead Stirrers

Available Overhead Stirrers with Excellent Performance for Everyday Use

OHAUS Achiever™ 5000 Overhead Stirrers are designed for powerful precise stirring, safety and longevity in all applications. The sealed design has an IP21 rating and ensures safe stirring performance even in the most demanding applications. The brushed-steel and stainless-steel speed settings provide easy set up and safe stirring to protect the sample and user. Select from five models with up to 100 rpm torque and up to 100% volume capacity.

Unique Features:

- **Powerful mixing and constant speed is assured with the brushless motor and torque compensation technology.** Reducing excessive mechanical slippage of motor by up to 50%.
- **Simply set up with the Robotic Chuck—no tools required.** Change shafts quickly and easily with one-handed operation. This unique design will save time and effort for everyone in the lab.
- **Designed for safety.** The five feature prevent accidental speed changes and the motor's constant mixing but storage simply shuts off stirring before an overload condition occurs to protect the sample.
- **Compact and easy to use.** Simple knob control combined with the bright digital display allow for precise setting and monitoring. Customized for your application with over 12 accessories.



80776777_C_202401219 © Copyright OHAUS Corporation

OHAUS CORPORATION

Tel: 800.672.7722

973.377.9000

Fax: 973.944.7177

www.ohaus.com

The management system governing the manufacture of this product is ISO 9001:2015 certified.

