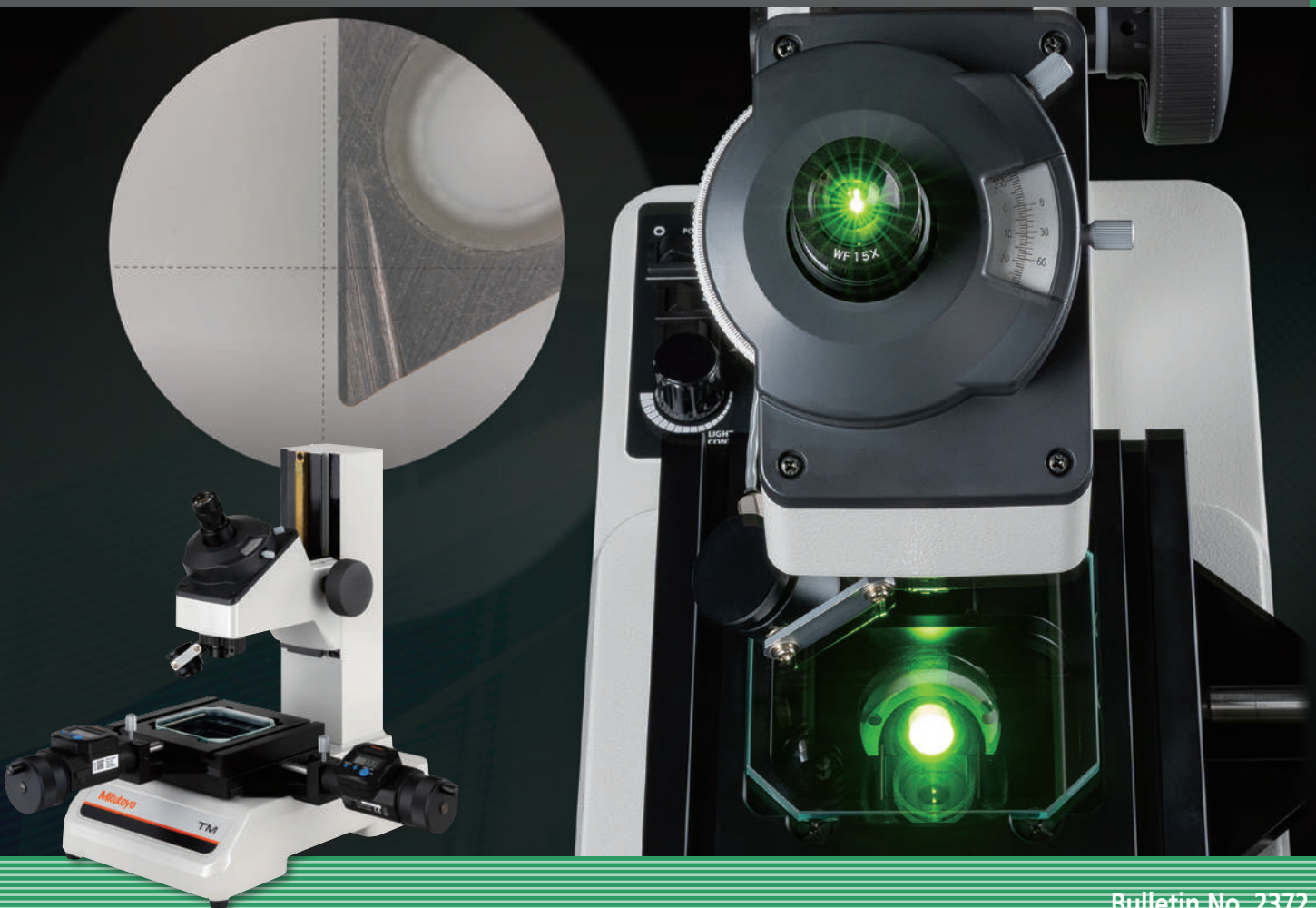


Mitutoyo

Mitutoyo Quality

Toolmakers' Microscopes TM Series

Optical Measuring



Bulletin No. 2372

Bright and Clear Field of View Superior Performance in Small-model Class



TM-505B
176-819-11A

* Shown with optional Digimatic micrometer heads



SCAN ME

Part Number	Description	Resolution	Sensor Size
64PMI247	MOTI-CAM S1, 1.2 MEGAPIXEL, 1280x960, USB	1.2MP	1/3"
64PMI249	MOTICAM S3, 3 MEGAPIXEL, 2048 X 1536 PIXELS, USB	3MP	1/2.8"
64PMI248	MOTI-CAM S6, 6 MP, 3072x2048 PIXELS, USB	6MP	1/1.8"
64PMI309	MOTICAM BMH4000X, 8 MP HDMI/USB	8MP	1/2.8"
64PMI310	MOTICAM BMH4000X, 8 MEGAPIXEL, HDMI / USB, LCD SCREEN		
63AAA060	0.37x C Mount Adapter (TM - Camera Adapter)*1		

*1 Required Item if utilizing C-Mount Camera



FEATURES

- Newly designed LED illuminators provide clear observation with outstanding color reproduction.



Conventional illumination



LED illumination

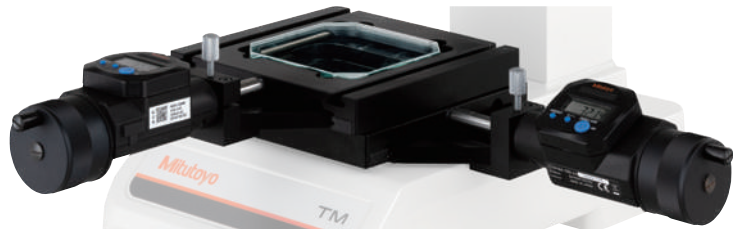
- A Vernier scale mounted outside the eyepiece enables simple angle measurement.



- Optional LED circular illuminator 176-208-11A available for applications requiring all-round lighting.



- Installation of optional Digimatic micrometer heads (164-164) enables easy digital measurement.

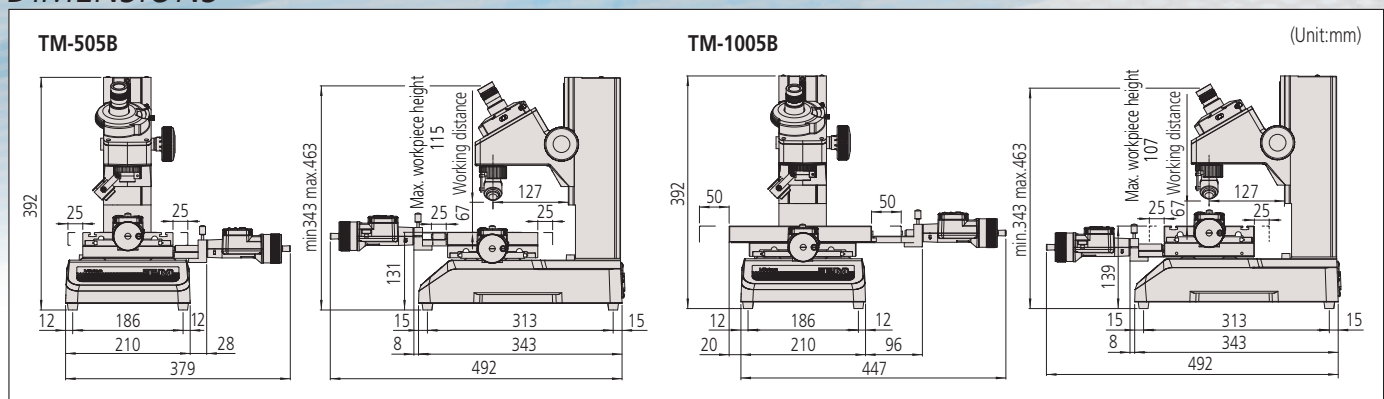


SPECIFICATIONS

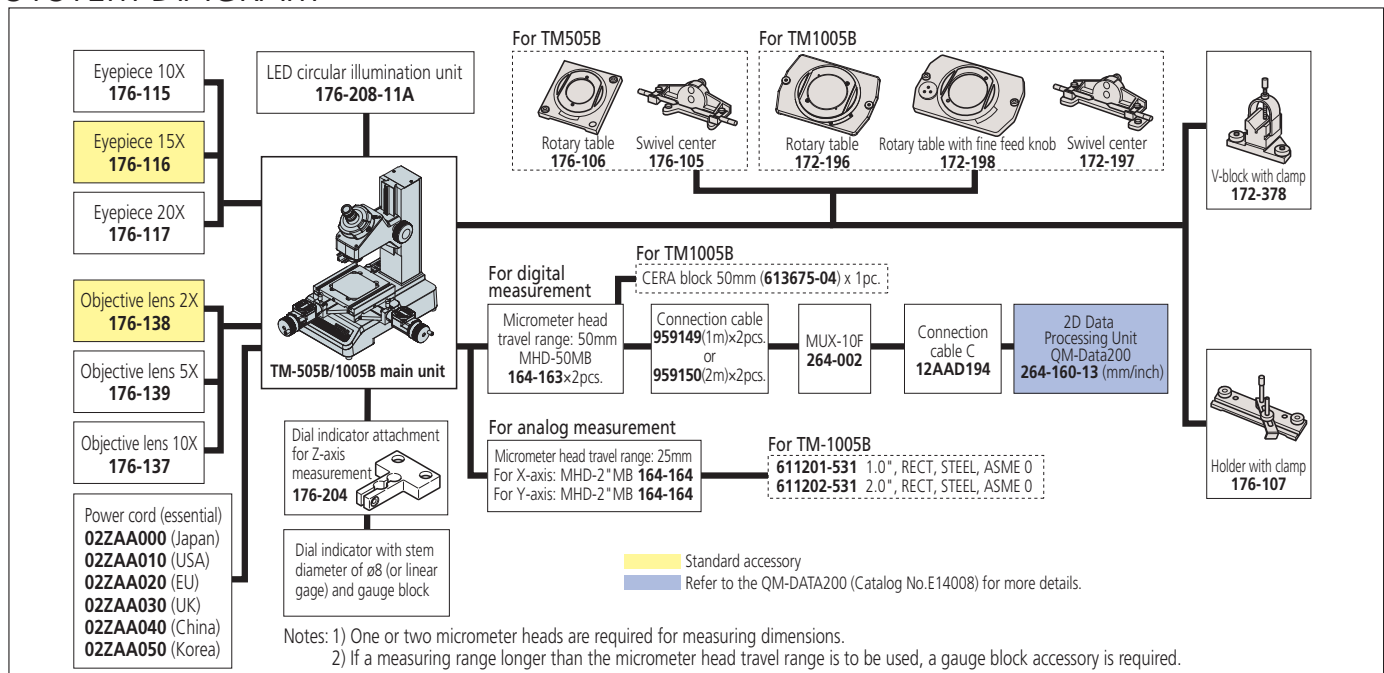
Model No.		TM-505B	TM-1005B
Order No.		176-818-11A	176-819-11A
Main Unit with 164-164 Mic Heads Inc		176-820-11A	176-821-11A
Optical tube		Monocular type (Depression angle: 60°)	
Observation image		Erect	
Eyepiece protractor		Resolution (graduation) : 1°, Rotation angle: 360°, Minimum reading by Vernier: 0.5°, Adjustable zero point	
Eyepiece		Standard accessory: 15X (field number: 13), Options: 10X, 20X	
Objective lens		Standard accessory: 2X, Options: 5X, 10X	
Microscope head	Maximum height of workpiece	115 mm	107 mm
	Focusing method	Manual (Coarse feed)	
Illumination unit	Transmitted illumination	Stepless brightness adjustment, White LED light source, With green filter	
	Surface illumination	Oblique single-source type, Stepless brightness adjustment, White LED light source	
Cross-travel stage	Measuring range	50x50 mm	100x50 mm (An optional 50 mm gauge block* is required to cover full range. A CERA block is recommended.)
	Table size	152x152 mm	240x152 mm
	Usable area of the stage glass	96x96 mm	154x96 mm
	Maximum stage glass loading	5 kg	
Linear measurement method		Micrometer head*	
Resolution		Depends on the micrometer head specifications* (for MHD-2"MB (164-164) : Resolution 0.00005"/0.001mm) (for MHD-2"MB (164-164) : 2"/50.8mm)	
Micrometer head travel range		100 to 240 VAC 50/60 Hz Maximum power consumption: 4.2 W	
Power source		100 to 240 VAC 50/60 Hz Maximum power consumption: 4.2 W	
Main unit mass		14 kg	15 kg

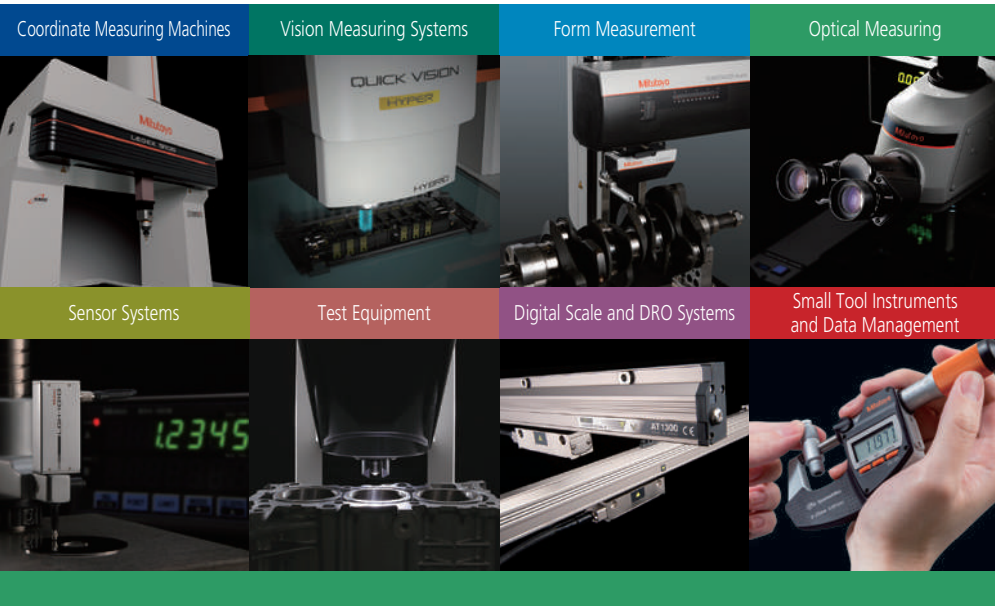
* Micrometer heads and gauge blocks (CERA blocks) are optional.

DIMENSIONS



SYSTEM DIAGRAM





Whatever your challenges are, Mitutoyo supports you from start to finish.

Mitutoyo is not only a manufacturer of top quality measuring products but one that also offers qualified support for the lifetime of the equipment, backed up by comprehensive services that ensure your staff can make the very best use of the investment.

Apart from the basics of calibration and repair, Mitutoyo offers product and metrology training, as well as IT support for the sophisticated software used in modern measuring technology. We can also design, build, test and deliver measuring solutions and even, if deemed cost-effective, take your critical measurement challenges in-house on a sub-contract basis.

My.Mitutoyo

Mitutoyo End User Portal
 Search for products, request a product quote, take online metrology courses, and much more. My.Mitutoyo.com puts everything Mitutoyo directly in front of you.



Find additional product literature and our product catalog

www.mitutoyo.com

Note: All information regarding our products, and in particular the illustrations, drawings, dimensional and performance data contained in this printed matter as well as other technical data are to be regarded as approximate average values. We therefore reserve the right to make changes to the corresponding designs. The stated standards, similar technical regulations, descriptions and illustrations of the products were valid at the time of printing. In addition, the latest applicable version of our General Trading Conditions will apply. Only quotations submitted by ourselves may be regarded as definitive. Specifications are subject to change without notice.

Mitutoyo products are subject to US Export Administration Regulations (EAR). Re-export or relocation of our products may require prior approval by an appropriate governing authority.

Trademarks and Registrations
 Designations used by companies to distinguish their products are often claimed as trademarks. In all instances where Mitutoyo America Corporation is aware of a claim, the product names appear in initial capital or all capital letters. The appropriate companies should be contacted for more complete trademark and registration information.

Mitutoyo

Mitutoyo America Corporation
www.mitutoyo.com
 One Number to Serve You Better
 1-888-MITUTOYO (1-888-648-8869)

M³ Solution Centers:
 Aurora, Illinois (Headquarters)
 Boston, Massachusetts
 Charlotte, North Carolina
 Cincinnati, Ohio
 Detroit, Michigan
 Los Angeles, California
 Seattle, Washington
 Houston, Texas