

Laser Scan Micrometer

Non-contact, high-speed, high-precision measurement

LSM-5200 Display Unit SERIES 544 — Panel-mount Type

- A compact controller which could be used for multi-unit system configurations.
- A panel-mount type display unit designed for the **LSM-S** Series.
- Analog I/O and RS-232C is standard.



SPECIFICATIONS

Order No.	544-047
Display	9-digit (upper) and 8-digit (lower) 7-segment
Segment	1 to 7 (1 to 3, transparent) or 1 to 255 edges*1
Averaging method	Arithmetic average: from 4 to 2048; Moving average: from 32 to 2048 (Arithmetic average is from 16 to 2048 when using LSM-500S .)
Judgment	Selecting from "target value±tolerance value" or "lower limit/upper limit".
Measurement mode	Standby, Single measurement, Continuous measurement
Statistical analysis	Calculation result is output via USB or RS-232C.
External dimensions	144 (W) x 72 (H) x 197.1 (D) mm
Power supply	24 V DC±10 %, 1.3 A or more
Standard I/F	USB2.0, RS-232C, I/O analog
Operating temperature (humidity) ranges	0 to 40 °C, RH 35 to 85 % (non-condensing)
Storage temperature (humidity) ranges	-20 to 70 °C, RH 35 to 85 % (non-condensing)
Other functions	Measurement of odd fluted parts, simultaneous measurement, nominal setting, sample setting, selection of unnecessary digits, transparent object measurement*2 Automatic workpiece detection (dimension/position detected)*1, abnormal data elimination, mastering, statistical processing (when using USB, RS-232C), output timer, automatic measurement in edge mode, presetting Note that every function is limited in its combination possibilities. See the user manual for details.
Mass	1.4 kg

*1 The measuring range will be 0.1 mm to 2 mm in the 1 to 255 edge measurement mode or when activating the automatic workpiece detection with **544-531, 544-532**. Each function has its combination limit.

*2 The measuring range is 50 μm to 2 mm when using **544-531, 544-532**. For smaller ranges, contact your local Mitutoyo sales office.
Note 1: Cannot be connected to **544-495, 544-496**.

Note 2: Previous models such as **544-451** cannot be connected.

Note 3: For USB communication with a PC, a dedicated device driver is required. For details, contact your local Mitutoyo sales office.

LSM-6200 Display Unit SERIES 544 — Multi-function Type

- 2-axis display unit enables 2 items be displayed simultaneously.
- Statistical operation is supported.
- Capable of statistical analysis such as: average, maximum value, minimum value, range (max. to min.).
- Segment measurement (7 points) or edge measurement (1 to 255 edges) can be selected.
- A function to eliminate abnormal values is standard.
- 100 tolerance values, preset values, or settings can be stored.



SPECIFICATIONS

Order No.	544-071	544-072
Type	mm	inch/mm
Display	16-digit dot matrix (upper) and 11-digit 7-segment (lower)	
Segment	1 to 7 (1 to 3, transparent) or 1 to 255 edges*1	
Averaging times	Arithmetic average: per 2 to 2048/Moving average: per 32 to 2048 (Arithmetic average is per 16 to 2048 when using 544-531, 544-532)	
Judgment	Selection from "target value+tolerance", "lower tolerance + upper tolerance", or "7 classes multi-limit tolerance zone".	
Measurement mode	Standby, Single measurement, Continuous measurement	
Statistical analysis	Maximum, Minimum, Average, Dispersion, σ (S.D)	
Size	335 (W) x 134 (H) x 250 (D) mm	
Power supply	100 to 240 V AC ±10 %, 45 W, 50/60 Hz	
Standard I/F	RS-232C, Analog I/O	
Optional I/F	Digimatic code output unit (2-ch), 2nd I/O analog I/F, BCD I/F	
Operating environment	0 to +40 °C, RH 35 to 85 % (non-condensing)	
Other functions	Nominal setting, sample setting, selection of unnecessary digits, transparent object measurement*2, measurement of odd fluted parts, automatic measurement in edge mode, output timer, abnormal data elimination, SHL change, group judgment, simultaneous measurement, statistical processing, mastering, buzzer function, automatic workpiece detection (dimension/position)*1, zero-set/offset, dual measurement (optional)	

*1 The measuring range will be 0.1 mm to 2 mm in the 1 to 255 edge measurement mode or when activating automatic workpiece detection with **544-531, 544-532**. Each function has its combination limit.

*2 The measuring range is 50 μm to 2 mm when using **544-531, 544-532**. For smaller ranges, contact your local Mitutoyo sales office.

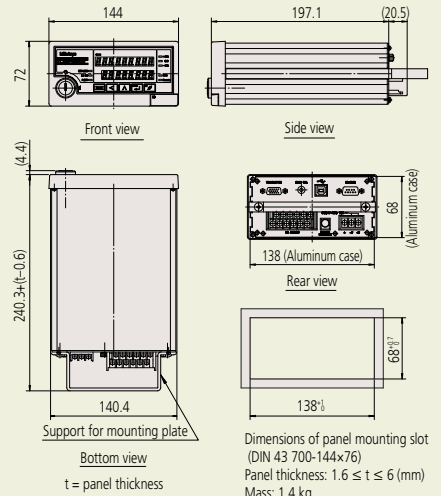
Note 1: To denote your AC power cable add the following suffixes to the order No.: A for UL/CSA, D for CEE, DC for CCC, E for BS, F for SAA, K for KC, C and No suffix are required for PSE.

Note 2: Cannot be connected to **544-495, 544-496**.

Note 3: Previous models such as **544-451** cannot be connected.

DIMENSIONS

Unit: mm



DIMENSIONS

Unit: mm

