

# 18MP Multi-Sensor Panoramic Camera

N9P-18RB3



## Key Features

- 18MP Panoramic Housing
- 3.5 mm Fixed Lens
- Intelligent Motion Detection (iMD)
- LumiPolarPro

## Certifications and Compliance

- NDAA Compliant
- FCC
- UL

## Learn More



Learn more about this product's key technologies.



View all compatible accessories for this product.

## Overview

The **N9P-18RB3** is part of Luminy's Specialty series. Specialty series devices are designed to improve operations and surpass today's highest security standards, providing increased situational awareness and comprehensive security.

## Key Technologies

**Intelligent Motion Detection (iMD)** technology accurately detects and filters humans and vehicle in a monitoring area. Using an advanced algorithm, iMD can accurately detect humans and vehicles while reducing false alarms caused by other objects, animals, or lighting. Users can be alerted to iMD events for timely security. iMD events can be saved for future reference and easily searched for at a later time for forensic analysis and to assist in investigations.

**LumiPolarPro** technology ensures rugged performance in low temperatures. Depending on the product model, LumiPolarPro enables dependable performance in -40 °C (-40 °F) or lower.

# Specifications

## Camera

Luminys Series	N9 Series (Speciality)
Image Sensor	1/2.8-in. Progressive CMOS
Maximum Resolution	6912 x 2624
Minimum Illumination	<b>Color:</b> 0.055 Lux at F2.0 <b>Black and White:</b> 0.005 Lux at F2.0 0 Lux With IR Illumination On
Number of Illuminators	Four (4) IR LEDs
Illuminator Control	Automatic, Manual
Maximum Illumination Distance	Up to 30.0 m (98.4 ft)
Electronic Shutter Speed	Automatic, Manual 1/30 s to 1/32,000 s
Installation Angle	<b>Pan:</b> ±90° <b>Tilt:</b> 0° to 90°
S/N Ratio	> 54 dB

## Lens

Iris Type	Fixed
Lens Type	Fixed
Focal Length	3.5 mm
Maximum Aperature	F2.0
Field of View	<b>Horizontal:</b> 180° <b>Vertical:</b> 62.5° <b>Diagonal:</b> 180°
Close Focus Range	3.0 m (9.8 ft)
DORI Distance	<b>Detect:</b> 73.3 m (240.5 ft) <b>Observe:</b> 29.3 m (96.2 ft) <b>Recognize:</b> 14.7 m (48.1 ft) <b>Identify:</b> 7.3 m (24 ft)

## Video

Compression	H.265, H.264, MJPEG (Sub Stream Only)
Stream Capability	Four (4) Streams
Resolution	6912 x 2624, 4416 x 1600, 2304 x 832
Maximum Frame Rate	<b>VCA On:</b> 6912 x 2624 at 20 FPS <b>VCA Off:</b> 6912 x 2624 at 30 FPS
Video Bit Rate	20 Kbps to 80 Mbps
Bit Rate Control	CBR/VBR
Day/Night	BLC, HLC, HLM
Light Balancing	Wide Dynamic Range (120 dB)
White Balance	Auto, Fixed Current, Manual, Panorama, Snow - Auto, Snow - Panorama
Noise Reduction	3D NR
Defog	Supported
Region of Interest	Three (3) Zones
Privacy Masking	Five (5) Areas

## Analytics

Intelligent Motion Detection	Supported with Alarms for Vehicles and Humans
------------------------------	---

## Audio

Compression	G.711, G.726, MPEG-2 AAC-LC
Interface	<b>Input:</b> Built-in Microphone and One (1) External Microphone Line Input <b>Output:</b> One (1) Line Output

## Alarm

Event	Audio Detection, Camera Tampering Detection, Cybersecurity Events (Brute Force Attack Event, Cyberattack Event, Quarantine Event), Manual Trigger, Motion Detection, Periodical Trigger, Recording Notification, SD Card Life Expectancy, Shock Detection, System Boot
Interface	<b>Input:</b> One (1) Channel <b>Output:</b> One (1) Channel

## Network

Interface	RJ-45 (10/100/1000 Base-T)
Protocol	IEEE 802.1x, ARP, Bonjour, CIFS/SMB, DDNS, DHCP, DNS, FTP/SFTP, HTTP/HTTPS, ICMP, IGMPv3, IPv4, IPv6, NTP, PPPoE, QoS (CoS/DSCP), RTSP/RTP/RTCP, SMTP, SNMP, SSL, TCP/IP, TLS 1.2/1.3, UDP, UPnP
Interoperability	ONVIF (Profile S/G/T)
Browser	Chrome, Firefox, Edge
Storage	MicroSD Card (Max. 1 TB), SDHC Card, SDXC Card

## Electrical

Power Supply	24 VAC, IEEE 802.3at PoE Class 4 (Simultaneous Power Redundancy Supported)
Power Consumption	<b>PoE:</b> 18.8 W (Max.) <b>24 VAC:</b> 26.4 W (Max.)

## Construction

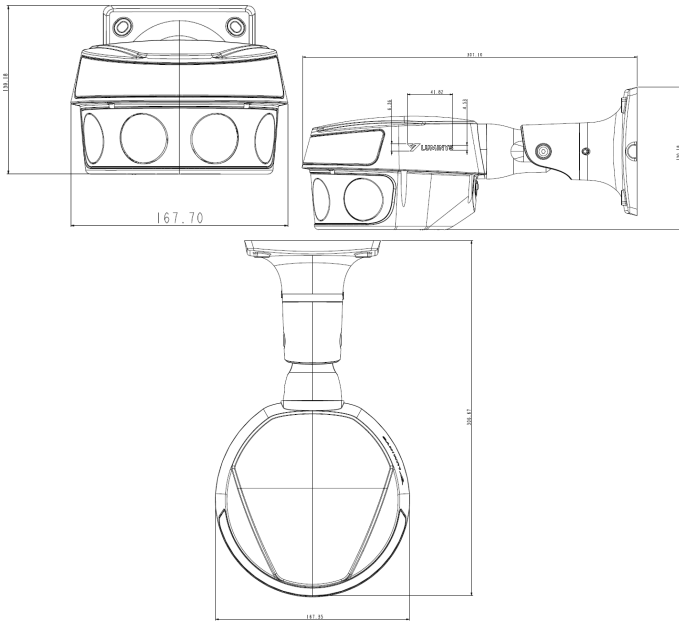
Net Weight	2.4 kg (5.2 lb)
Operating Temperature	<b>IR On:</b> -40 °C to 50 °C (-40 °F to 122 °F) <b>IR Off:</b> -40 °C to 55 °C (-40 °F to 131 °F) < 98% RH (Non-Condensing)
Protection Ratings	IP66, IK10
Dimensions	308.0 mm × 167.0 mm × 130.0 mm (12.1 in. × 6.6 in. × 5.1 in.)
Material	Metal

## Certifications and Compliance

Certifications	FCC, UL
Compliance	NDA

## Dimensional Drawing

mm [in.]



## Compatible Accessories

Below are the compatible accessories for this product. Not all accessories are included with purchase; some must be purchased separately. For each mount type, all listed SKUs are required to ensure proper installation.

Cross-check the accessories in this datasheet with the Luminys accessory selector tool, and verify that the mount size corresponds to the camera size. Failure to check may result in an incorrect or incomplete mount.

Mount Type	SKU(s)	Description
Junction Box <i>(Included With Product)</i>	N/A	Junction Box for N9P-18RB3