



KEYINCODE Product Catalog

KEYINCODE.COM

PIN CODE ONLY LOCKSETS



KIC5210 Pin Code Only Lockset (Tubular Latch)

- 80 users, 10 one-time users
- 2 3/8" & 2 3/4" latches included
- ANSI Grade 2, UL 3-hour fire rating
- Choice of 6-pin C keyway or SFIC prep
- Available in Brushed Chrome (626) or Black (676)

PART NO.	FINISH	CORE TYPE
KIC-5210-626	Brushed Chrome	6-pin C keyway
KIC-5210-IC-626	Brushed Chrome	SFIC prepped
KIC-5210-676	Black PVD	6-pin C keyway
KIC-5210-IC-676	Black PVD	SFIC prepped



KIC5230 Dual Keypad Pin Code Lockset

- Dual-sided keypad x lever design
- 80 users, 10 one-time users
- 2 3/8" & 2 3/4" latches included
- ANSI Grade 2, UL 3-hour fire rating
- Choice of 6-pin C keyway or SFIC prep

PART NO.	FINISH	CORE TYPE
KIC-5230-626	Brushed Chrome	6-pin C keyway
KIC-5230-IC-626	Brushed Chrome	SFIC prepped



KIC5250 Pin Code Lockset with Mortise Body

- Keypad & Lever with U.S. Mortise Lock body included
- 80 users, 10 one-time users
- ANSI Grade 1, UL 3-hour fire rating
- Choice of 6-pin C keyway or SFIC prep
- Available in Brushed Chrome (626) or Black (676)

PART NO.	FINISH	CORE TYPE
KIC-5250-626	Brushed Chrome	6-pin C keyway
KIC-5250-IC-626	Brushed Chrome	SFIC prepped
KIC-5250-676	Black PVD	6-pin C keyway
KIC-5250-IC-676	Black PVD	SFIC prepped

PIN CODE ONLY LOCKSETS



KIC5255 Pin Code Lockset, Mortise Latch with Auto-Deadbolt

- 80 users, 10 one-time users
- ANSI Grade 1, UL 3-hour fire rating, left & right handing

PART NO.	FINISH	CORE TYPE
KIC-5255-626-LH	Brushed Chrome	6-pin C keyway
KIC-5255-IC-626-LH		SFIC prepped
KIC-5255-626-RH		6-pin C keyway
KIC-5255-IC-626-RH		SFIC prepped
KIC-5255-676-LH	Black PVD	6-pin C keyway
KIC-5255-IC-676-LH		SFIC prepped
KIC-5255-676-RH		6-pin C keyway
KIC-5255-IC-676-RH		SFIC prepped



KIC5260 Pin Code Lockset & Lever Control Kit for Exit Devices (*mounting hardware included*)

- 80 users, 10 one-time users
- ANSI Grade 2, UL rated
- Choice of 6-pin C keyway or SFIC prep
- Available in Brushed Chrome (626) or Black (676)

PART NO.	FINISH	CORE TYPE
KIC-5260-626	Brushed Chrome	6-pin C keyway
KIC-5260-IC-626	Brushed Chrome	SFIC prepped
KIC-5260-676	Black PVD	6-pin C keyway
KIC-5260-IC-676	Black PVD	SFIC prepped



KIC6280 Pin Code Lock with Cylindrical Chassis

- 90 users, 10 one-time users
- 2 3/4" latch only
- ANSI Grade 1, UL rated
- Choice of 6-pin C keyway or SFIC prep
- Available in Brushed Chrome (626)

PART NO.	FINISH	CORE TYPE
KIC-6280-626	Brushed Chrome	6-pin C keyway
KIC-6280-IC-626	Brushed Chrome	SFIC prepped

BLE & WIFI LOCKSETS



KIC5210 WB BLE & Wi-Fi Enabled Lockset (Tubular Latch)

- Capacity of 3,300 users, ANSI Grade 2, UL rated
- Includes 2 3/8" & 2 3/4" latches
- Choice of 6-pin C keyway or SFIC prep
- Available in Brushed Chrome (626) or Black (676)

PART NO.	FINISH	CORE TYPE
KIC-5210-WB-626	Brushed Chrome	6-pin C keyway
KIC-5210-WB-IC-626	Brushed Chrome	SFIC prepped
KIC-5210-WB-676	Black PVD	6-pin C keyway
KIC-5210-WB-IC-676	Black PVD	SFIC prepped



KIC5250 WB BLE & Wi-Fi Enabled Lockset with Mortise Body

- Capacity: 3,300 users
- ANSI Grade 1, UL 3-hour fire rating
- Choice of 6-pin C keyway or SFIC prep

PART NO.	FINISH	CORE TYPE
KIC-5250-WB-626	Brushed Chrome	6-pin C keyway
KIC-5250-WB-IC-626	Brushed Chrome	SFIC prepped
KIC-5250-WB-676	Black PVD	6-pin C keyway
KIC-5250-WB-IC-676	Black PVD	SFIC prepped



KIC5255 WB BLE & Wi-Fi Enabled Lockset with Mortise Latch & Auto-Deadbolt

- Capacity: 3,300 users
- ANSI Grade 1, UL 3-hour fire rating, left & right handing

PART NO.	FINISH	CORE TYPE
KIC-5255-WB-626-LH	Brushed Chrome	6-pin C keyway
KIC-5255-WB-IC-626-LH		SFIC prepped
KIC-5255-WB-626-RH		6-pin C keyway
KIC-5255-WB-IC-626-RH		SFIC prepped
KIC-5255-WB-676-LH	Black PVD	6-pin C keyway
KIC-5255-WB-IC-676-LH		SFIC prepped
KIC-5255-WB-676-RH		6-pin C keyway
KIC-5255-WB-IC-676-RH		SFIC prepped

BLE & WIFI LOCKSETS



KIC5260 WB BLE & Wi-Fi Enabled Lockset & Lever Control Kit for Exit Devices

- 80 users, 10 one-time users, ANSI Grade 2, UL rated
- Choice of 6-pin C keyway or SFIC prep

PART NO.	FINISH	CORE TYPE
KIC-5260-WB-626	Brushed Chrome	6-pin C keyway
KIC-5260-WB-IC-626	Brushed Chrome	SFIC prepped
KIC-5260-WB-676	Black PVD	6-pin C keyway
KIC-5260-WB-IC-676	Black PVD	SFIC prepped



KIC2500 KWB Wi-Fi Enabled Edge Controller

- Wall-mounted 1-door access controller
- Capacity: 3,275 users, ANSI/UL rated hardware

PART NO.	FINISH	CORE TYPE
KIC-2500-KWB-EC	N/A	N/A



KIC2500 Narrow Stile MiFare Card Reader 6.2

- 13.56 MHz MiFare card reader with integrated keypad
- Narrow stile design, mullion mount

PART NO.	FINISH	CORE TYPE
KIC-2500-RNS	N/A	N/A



KIC2500 Single Gang Box MiFare Card Reader 6.4

- 13.56 MHz MiFare card reader with integrated keypad
- Single gang box mount

PART NO.	FINISH	CORE TYPE
KIC-2500-RSG	N/A	N/A



KIC2500 Power Supply Kit

- 12 VDC plug-in transformer, 2.0A
- Includes UPS battery backup

PART NO.	FINISH	CORE TYPE
KIC-2500-PS	N/A	N/A

BLE & WIFI LOCKSETS



KIC3500 Series Residential Grade Lock

- Managed via the Keyincode App (Ble + WiFi enabled)
- Supports multiple users
- Tubular dual backset latch / deadbolt included
- Easy DIY installation
- Available in Satin Nickel or Satin Brass Oil Rubbed

PART NO.	FINISH
KIC-3505-WB-626	Satin Nickel (626)
KIC-3505-WB-683	Satin Brass Oil Rubbed (683)
KIC-3510-WB-626	Satin Nickel (626)
KIC-3510-WB-683	Satin Brass Oil Rubbed (683)



KIC4510 KWB BLE & Wi-Fi Enabled Lockset with Tubular Latch

- Capacity: 3,300 users
- Includes 2 3/8" & 2 3/4" tubular latches
- Lighter-use grade
- 5-pin C keyway

PART NO.	FINISH	CORE TYPE
KIC-4510-KWB-626	Brushed Chrome	5-pin C keyway



KIC5510 KWB BLE & Wi-Fi Enabled Lockset with Tubular Latch

- Capacity: 3,300 users
- Includes 2 3/8" & 2 3/4" latches
- Keying: C Keyway or SFIC prepped
- ANSI Grade 2, UL rated

PART NO.	FINISH	CORE TYPE
KIC-5510-KWB-626	Brushed Chrome	6-pin C keyway
KIC-5510-KWB-IC-626	Brushed Chrome	SFIC prepped
KIC-5510-KWB-676	Black PVD	6-pin C keyway
KIC-5510-KWB-IC-676	Black PVD	SFIC prepped

BLE & WIFI LOCKSETS



KIC5550 KWB BLE & Wi-Fi Enabled Lockset with Mortise Lock Body

- Capacity: 3,300 users
- Includes ANSI Grade 1, UL 3-hour rated mortise body
- Heavy-duty design for commercial and institutional use

PART NO.	FINISH	CORE TYPE
KIC-5550-KWB-626	Brushed Chrome	6-pin C keyway
KIC-5550-KWB-IC-626	Brushed Chrome	SFIC prepped
KIC-5550-KWB-676	Black PVD	6-pin C keyway
KIC-5550-KWB-IC-676	Black PVD	SFIC prepped



KIC5555 KWB BLE & Wi-Fi Enabled Lockset with Mortise Latch & Auto-Deadbolt

- Capacity: 3,300 users
- Includes ANSI Grade 1, UL 3-hour rated mortise body
- Auto-deadbolt for enhanced security and convenience

PART NO.	FINISH	CORE TYPE
KIC-5555-KWB-626-LH	Brushed Chrome	6-pin C keyway
KIC-5555-KWB-IC-626-LH		SFIC prepped
KIC-5555-KWB-626-RH		6-pin C keyway
KIC-5555-KWB-IC-626-RH		SFIC prepped
KIC-5555-KWB-676-LH	Black PVD	6-pin C keyway
KIC-5555-KWB-IC-676-LH		SFIC prepped
KIC-5555-KWB-676-RH		6-pin C keyway
KIC-5555-KWB-IC-676-RH		SFIC prepped



KIC5560 KWB Lockset & Lever Control Kit for Exit Devices (includes mounting hardware)

- Compatible with Keyincode 1000, 5000 Series & most popular brands
- Includes external battery holder

PART NO.	FINISH	CORE TYPE
KIC-5560-KWB-626	Brushed Chrome	6-pin C keyway
KIC-5560-KWB-IC-626	Brushed Chrome	SFIC prepped
KIC-5560-KWB-676	Black PVD	6-pin C keyway
KIC-5560-KWB-IC-676	Black PVD	SFIC prepped

BLE & WIFI LOCKSETS



KIC6580 KWB BLE & Wi-Fi Enabled Lockset

- Capacity: 3,300 users
- Keypad and lever with ANSI Grade 1 cylindrical chassis
- 2 3/4" latch only
- Keying options: C Keyway, SFIC prep, or LFIC-Schlage prep

PART NO.	FINISH	CORE TYPE
KIC-6580-KWB-626	Brushed Chrome	6-pin C keyway
KIC-6580-KWB-IC-626	Brushed Chrome	SFIC prepped
KIC-6580-KWB-LFIC-626	Brushed Chrome	LFIC Schlage
KIC-6580-KWB-676	Black PVD	6-pin C keyway
KIC-6580-KWB-IC-676	Black PVD	SFIC prepped
KIC-6580-KWB-LFIC-676	Black PVD	LFIC Schlage

KIC9500 Narrow Stile BLE & Wi-Fi Enabled Lockset

- Capacity: 3,300 users
- Exterior lever with choice of interior lever (9500) or interior paddle (9582)
- SFIC key override – available less cylinder or with cylinder
- Finish options: Brushed Chrome (AL) or Black (BL)
- Designed for aluminum and glass storefront doors



PART NO.	FINISH	CORE TYPE
KIC-9500-KWB-AL	Brushed Chrome	SFIC prepped (without core)
KIC-9500-KWB-AL-KD	Brushed Chrome	SFIC prepped (with core)
KIC-9500-KWB-BL	Black	SFIC prepped (without core)
KIC-9500-KWB-BL-KD	Black	SFIC prepped (with core)
KIC-9582-KWB-AL	Brushed Chrome	SFIC prepped (without core)
KIC-9582-KWB-AL-KD	Brushed Chrome	SFIC prepped (with core)
KIC-9582-KWB-BL	Black	SFIC prepped (without core)
KIC-9582-KWB-BL-KD	Black	SFIC prepped (with core)

EXIT BARS & TRIM



KIC1000 Series Heavy Duty Exit Device

- ANSI/UL Grade 1 certified for heavy-duty commercial use
- Fits door widths up to 36" or 48" (depending on model)
- Latch: 3/4" stainless steel latch (mortise, rim, or vertical rod depending on model)
- Finishes available: Stainless Steel, Oil Rubbed Bronze
- Handing options: Left Hand (LH) and Right Hand (RH)
- Device types: Mortise, Rim, and Vertical Rod exit devices
- Durable design for high-traffic and secure applications

PART NO.	FINISH	SIZE
KIC-1000-M-36-32D-LH	Stainless Steel	Up to 36" doors
KIC-1000-M-36-32D-RH	Stainless Steel	Up to 36" doors
KIC-1000-R-36-10B	Oil Rubbed Bronze	Up to 36" doors
KIC-1000-R-36-32D	Stainless Steel	Up to 36" doors
KIC-1000-R-48-10B	Oil Rubbed Bronze	Up to 48" doors
KIC-1000-R-48-32D	Stainless Steel	Up to 48" doors
KIC-1100-V-3684-10B-LH	Oil Rubbed Bronze	3'0" – 7'0" doors
KIC-1100-V-3684-10B-RH	Oil Rubbed Bronze	3'0" – 7'0" doors
KIC-1100-V-3684-32D-LH	Stainless Steel	3'0" – 7'0" doors
KIC-1100-V-3684-32D-RH	Stainless Steel	3'0" – 7'0" doors
KIC-1100-V-4896-32D-LH	Stainless Steel	4'0" – 8'0" doors
KIC-1100-V-4896-32D-RH	Stainless Steel	4'0" – 8'0" doors

KIC3000 Series Compact Exit Device

- ANSI/UL Grade 1 certified – standard duty performance
- Non-handed design for easy installation (Rim models)
- Latch types: Rim models – 3/4" stainless steel latch and Vertical rod models – Pullman stainless steel latch
- Device types: Rim Exit Devices & Vertical Rod Exit Devices



PART NO.	FINISH	SIZE
KIC-3000-R-36-AL	Alu Powder Coat	Up to 36" doors
KIC-3000-R-36-DU	Duro Powder Coat	Up to 36" doors
KIC-3000-R-48-AL	Alu Powder Coat	Up to 48" doors
KIC-3000-R-48-DU	Duro Powder Coat	Up to 48" doors
KIC-3100-V-3684-AL-LH	Alu Powder Coat	3'0" – 7'0" doors
KIC-3100-V-3684-AL-RH	Alu Powder Coat	3'0" – 7'0" doors
KIC-3100-V-3684-DU-LH	Duro Powder Coat	3'0" – 7'0" doors
KIC-3100-V-3684-DU-RH	Duro Powder Coat	3'0" – 7'0" doors

EXIT BARS & TRIM



KIC5500 Series Modern Head Exit Device

- ANSI/UL Grade 1 certified
- Rim models 3/4" stainless steel latch with deadlatch and vertical rod models 3/4" stainless steel pullman latch

PART NO.	FINISH	SIZE
KIC-5500-R-36-32D	Stainless Steel	Up to 36" doors
KIC-5500-R-36-AL	Alu Powder Coat	Up to 36" doors
KIC-5500-R-36-DU	Duro Powder Coat	Up to 36" doors
KIC-5500-R-48-32D	Stainless Steel	Up to 48" doors
KIC-5500-R-48-AL	Alu Powder Coat	Up to 48" doors
KIC-5500-R-48-DU	Duro Powder Coat	Up to 48" doors
KIC-5600-V-3684-32D-LH	Stainless Steel	3'0" – 7'0" doors
KIC-5600-V-3684-32D-RH	Stainless Steel	3'0" – 7'0" doors
KIC-5600-V-3684-AL-LH	Alu Powder Coat	3'0" – 7'0" doors
KIC-5600-V-3684-AL-RH	Alu Powder Coat	3'0" – 7'0" doors
KIC-5600-V-3684-DU-LH	Duro Powder Coat	3'0" – 7'0" doors
KIC-5600-V-3684-DU-RH	Duro Powder Coat	3'0" – 7'0" doors
KIC-5600-V-4896-32D-LH	Stainless Steel	4'0" – 8'0" doors
KIC-5600-V-4896-32D-RH	Stainless Steel	4'0" – 8'0" doors



KIC GLS 1000 Series Narrow Stile Exit Device

- Durable, slim-profile rail designed for aluminum storefront and glass doors

PART NO.	FINISH	SIZE
KIC-GLS-1000-R-36-32D	Stainless Steel	3'0" – 7'0" doors
KIC-GLS-1000-R-36-10B	Oil Rubbed Bronze	3'0" – 7'0" doors
KIC-GLS-1000-R-48-10B	Oil Rubbed Bronze	4'0" – 8'0" doors

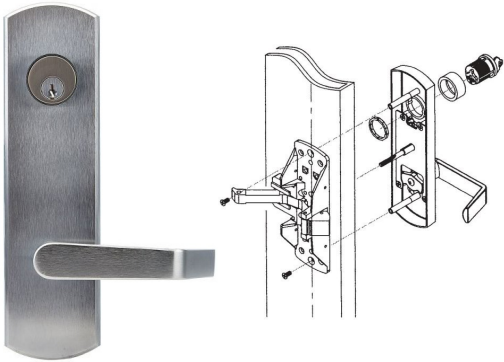
KIC8500 Series Fire Rated Rim Exit Device

- ANSI/UL certified , fire-rated rim exit device for secure, high-traffic applications



PART NO.	FINISH	SIZE
KIC-8500-R-36-32D	Stainless Steel	3'0" – 7'0" doors
KIC-8500-R-36-AL	Alu Powder Coat	3'0" – 7'0" doors
KIC-8500-R-48-32D	Stainless Steel	4'0" – 8'0" doors
KIC-8600-V-3684-32D-RH	Stainless Steel	3'0" – 7'0" doors
KIC-8600-V-3684-32D-LH	Stainless Steel	3'0" – 7'0" doors

EXIT BARS & TRIM



Escutcheon Trim for KIC1000 Series Exit Device

- Heavy-Duty Escutcheon Trim for exit devices
- Lever design – compatible with 1 1/8" mortise cylinders

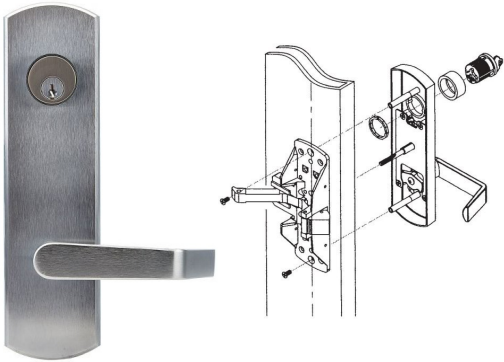
PART NO.	FINISH	FUNCTION
KIC-ET-1000	Brushed Chrome	Entry
KIC-ET-1005	Brushed Chrome	Storeroom



Escutcheon Trim for KIC3000 Series Exit Device

- Lever design – compatible with 1 1/8" mortise cylinders
- Mounting: Through-bolts to device for secure attachment

PART NO.	FINISH	FUNCTION
KIC-ET-3000-AL	Alu Powder Coat	Entry
KIC-ET-3000-DU	Duro Powder Coat	Entry
KIC-ET-3005-AL	Alu Powder Coat	Storeroom
KIC-ET-3005-DU	Duro Powder Coat	Storeroom



Escutcheon Trim for KIC5500 Series Exit Device

- Lever design – compatible with 1 1/8" mortise cylinders
- Mounting: Through-bolts to device for secure attachment

PART NO.	FINISH	FUNCTION
KIC-ET-5000-626	Brushed Chrome	Entry
KIC-ET-5000-DU	Duro Powder Coat	Entry
KIC-ET-5005-626	Brushed Chrome	Storeroom
KIC-ET-5005-DU	Duro Powder Coat	Storeroom



Mechanical Pull Trim for GLS 1000 Series

- Lever Trim & Pull Trim
(pairs with KIC GLS1000 Narrow Stile Rim Exit Devices)

PART NO.	FINISH	FUNCTION
KIC-GLS-1000-RIM	Brushed Chrome	Entry
KIC-GLS-1005-RIM	Oil Rubbed Bronze	Storeroom
KIC-GLS-1000-SNL	Brushed Chrome	Storeroom
KIC-GLS-1000-SUP	Oil Rubbed Bronze	Pull Function

EXIT BARS & TRIM



KIC8000 Series Cylindrical Lever Trim

- Cylindrical Lever Trim for use with KIC 1000, 3000, and 5000 Series exit devices
- Entry and Storeroom functions available
- Fits standard 2 1/8" door prep
- Options for 6-pin C Keyway or prepped for SFIC
- Includes mounting hardware for secure installation
- Finishes: 26D Brushed Chrome, DU Duro

PART NO.	FINISH	CORE TYPE
KIC-ET-8000K-26D	Brushed Chrome	6-pin C keyway
KIC-ET-8000K-DU	Duro	6-pin C keyway
KIC-ET-8000K-SFIC-26D	Brushed Chrome	SFIC prepped
KIC-ET-8000K-SFIC-DU	Duro	SFIC prepped
KIC-ET-8000S-26D	Brushed Chrome	6-pin C keyway
KIC-ET-8000S-DU	Duro	6-pin C keyway
KIC-ET-8000S-SFIC-26D	Brushed Chrome	SFIC prepped
KIC-ET-8000S-SFIC-DU	Duro	SFIC prepped

SIGMA AUTOMATIC DOOR OPERATORS



SA-300 Series Low Energy Door Operator & Accessories

PART NO.	DESCRIPTION	FINISH
SA-300-SINGLE-CA	Single operator.	Clear Anodized
SA-300-SINGLE-BLK		Black
SA-300-SINGLE-FWH-CA	Single operator (full width header).	Clear Anodized
SA-300-SINGLE-FWH-BLK		Black
SA-300-SIM-PAIR-CA	Simultaneous pair.	Clear Anodized
SA-300-SIM-PAIR-BLK		Black
SA-BB	Black box.	N/A
SA-45-AL	4 1/2" (114 mm) push plate activator.	Aluminium
SA-45-BLK		Black
SA-WTR	Wireless kit.	N/A
SA-PBK-AL		Aluminium
SA-PBK-BLK		Black

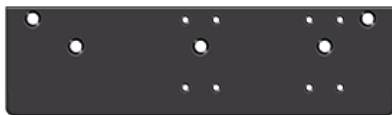
DOOR CLOSERS & ACCESSORIES



Door Closers

- ANSI Grade 1 certified door closers
- Heavy Duty model (DC-41): Heavy cast iron body, barrier-free design, adjustable sizes 1–6 with adjustable backcheck
- Standard Duty model (DC-50): Cast aluminum body, forged steel arm, adjustable sizes 1–4 with adjustable backcheck

PART NO.	FINISH	DUTY RATING
KIC-DC41-AL	Alu Powder Coat	Heavy Duty
KIC-DC41-DU	Duro Powder Coat	Heavy Duty
KIC-DC-50-AL	Alu Powder Coat	Standard Duty
KIC-DC-50-DU	Duro Powder Coat	Standard Duty



Drop Plates

(parallel arm, regular arm and top jam mount)

- Mounting options: Parallel Arm (DPPA), Regular Arm (DPRA), Top Jam (DPTJ)
- Models available for both DC41 and DC50 series
- Durable aluminum construction with powder coat finish

PART NO.	FINISH	FINISH
DPPA-41-AL	Alu Powder Coat	Alu Powder Coat
DPPA-41-DU	Duro Powder Coat	Duro Powder Coat
DPPA-50-AL	Alu Powder Coat	Alu Powder Coat
DPPA-50-DU	Duro Powder Coat	Duro Powder Coat
DPRA-41-AL	Alu Powder Coat	Alu Powder Coat
DPRA-41-DU	Duro Powder Coat	Duro Powder Coat
DPRA-50-AL	Alu Powder Coat	Alu Powder Coat
DPRA-50-DU	Duro Powder Coat	Duro Powder Coat
DPTJ-41-AL	Alu Powder Coat	Alu Powder Coat
DPTJ-41-DU	Duro Powder Coat	Duro Powder Coat
DPTJ-50-AL	Alu Powder Coat	Alu Powder Coat
DPTJ-50-DU	Duro Powder Coat	Duro Powder Coat

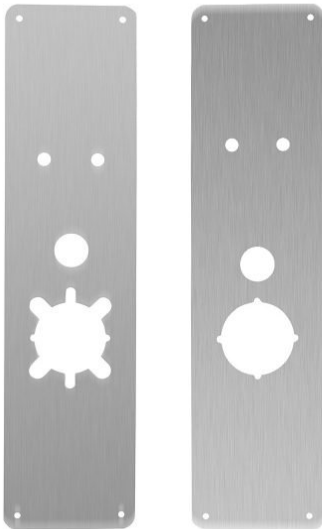
DOOR & FRAME ACCESSORIES



Wrap Around Plates

- Wrap-around plates for KIC5200, KIC5500, KIC6580, and KIC6280 series
- Available sizes: 9" and 15"
- Stainless steel construction for strength and durability
- Provides reinforcement and added security for lock installations

PART NO.	DESCRIPTION	FINISH
KIC-9WP-5000-32D	Wrap-around plate for KIC5200, KIC5500.	Stainless Steel
KIC-15WP-5000-32D		Stainless Steel
KIC-9WP-6000-32D	Wrap around plate for KIC6580, KIC6280.	Stainless Steel
KIC-15WP-6000-32D		Stainless Steel



Cover Plates & Latch Protectors

- To fit KIC4000, 5000, and 6000 series
- Stainless steel and matt black finish options
- Provides reinforcement, filler coverage, and clean finish for lock and exit device installations

PART NO.	FINISH	SIZE
KIC-5000-412-32D	Stainless Steel	4" x 12"
KIC-5000-416-32D		4" x 16"
KIC-6000-412-32D	Stainless Steel	4" x 12"
KIC-6000-416-32D		4" x 16"
KIC-5000-412-MB	Matt Black	4" x 12"
KIC-5000-416-MB	Matt Black	4" x 16"
KIC-6000-412-MB	Matt Black	4" x 12"
KIC-6000-416-MB	Matt Black	4" x 16"
KIC-4000-FCP-626	Stainless Steel	3.5" x 12"
KIC-4000B-FCP-626	Stainless Steel	3.5" x 12"
KIC-5000-FCP-626	Stainless Steel	3.5" x 12"
KIC-5000-FCP-676	Matt Black	3.5" x 12"
KIC-5000-LFCP-626	Stainless Steel	3.5" x 15" (long)
KIC-5000-LFCP-676	Matt Black	3.5" x 15" (long)
KIC-5060-UPL-32D	Stainless Steel	

KEYS & CYLINDERS

PART NO.	DESCRIPTION	FINISH
KIC-STDKIK-5-626	Key-in-lever cylinder, 5-pin C keyway. Fits KIC electronic lockset KIC4500 series.	Brushed Chrome
KIC-STDKIK-6-626	Key-in-lever cylinder, 6-pin C keyway. Fits KIC electronic lockset KIC5200/5500 series.	Brushed Chrome
KIC-KIK-SKC-6-pin	Key-in-lever cylinders supplied to manufacturer specifications. Contact us for a complete list.	Brushed Chrome
KIC-STDKIKGR1-626	Key-in-lever cylinder with 6-pin C keyway. Designed to fit KIC6200 and KIC6500 Series.	Brushed Chrome
KIC-BA6KIK-626	Key-in-lever cylinder with restricted keyway. Designed to fit KIC5500 and KIC6500 Series.	Brushed Chrome
KIC-ME6KIK-626	Key-in-lever cylinder, patented system UL437. Fits KIC5500 and KIC6500 Series electronic locksets. Medeco patent protected key control & physical protection.	Brushed Chrome
KIC-6PIN-SFIC	Small Format Interchangeable Core. Fits KIC5500 and KIC6500 Series electronic locksets. Keyways: 1C, 1D, A, B, C, D, DD, E, F, G, H, J, K, L, M, Q, R, T & Wser.	Brushed Chrome
KIC-7PIN-SFIC	SFIC with 2 operating keys and one removal key. Fits KIC5500 and KIC6500 Series electronic locksets. Keyways: 1C, 1D, A, B, C, D, DD, E, F, G, H, J, K, L, M, Q, R, T & Wser.	Brushed Chrome
KIC-7PIN-SFIC-X4-626	SFIC core with patented key control. Designed to fit KIC5500 and KIC6500 Series electronic locksets. Custom keys available — call for quote. Medeco patent-protected key control.	Brushed Chrome
KIC-SCH-LFIC-626	LFIC with Schlage C keyway. Designed to fit KIC6500 Series electronic locksets.	Brushed Chrome
Cut C Keyway Keys	Duplicate keys. Keys are cut by code.	
Cut Restricted Keys		
SFIC Common Keys		
Medeco SFIC		
Medeco X4	Keys are cut by code and stamped.	

MISCELLANEOUS



PART NO.	DESCRIPTION
KIC-5060-WGB-UNF	Weldable Gate Box for KIC5000 & 6000 Series.
Battery Eliminator	Lock, thru-door, plug into outlet, 25" cord.
KIC-4050-LSIT	For installing KIC4000 & 5000 Series locks.
KIC-5000-MLIT	For installing KIC5000 Series mortise locks.
RL-Clamps	Door clamps to hold installation tool.
KIC-5060-WC	Weather cover KIC2500, 3500, 4500, 5500, 6500.
KIC-MIFARE-ST	KIC MIFARE Classic 1K RFID sticky tag.
KIC-MIFARE-CARD	KIC MIFARE Classic 1K RFID card.
KIC-MIFAE-FOB	KIC MIFARE Classic 1K RFID key fob.





Need more assistance?
We're here to help!

KEYINCODE LLC
55 Concord Street, Unit 231
North Reading, Massachusetts 01864, USA

978-207-0269 | sales@keyincode.com | keyincode.com