

# Lead Free Brass Ball Valve

## Tankless Water Heater Valve Kit, 3-Way Ball, Threaded Connection, 600 WOG

### TWV-3W-KIT-G COMPACT



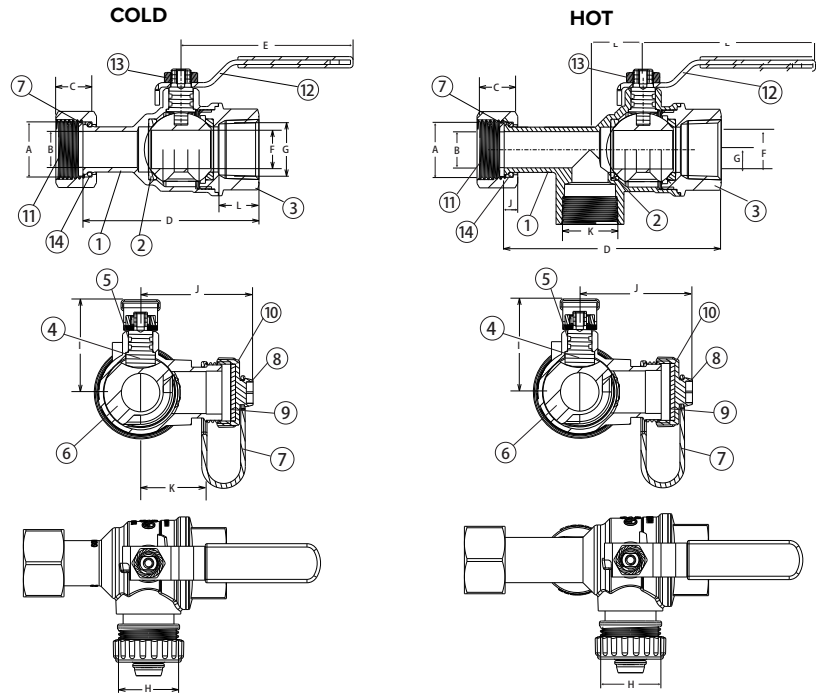
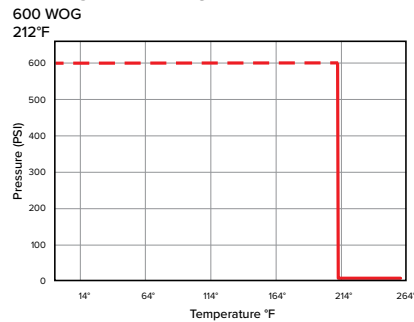
#### FEATURES

- Dezincification Resistant Brass Alloy
- Compact Body Design
- T.E.A. Coated 3-Way Ball
- Blow-Out Proof Stem
- 3/4" 20,000 BTU/hr Pressure Relief Valve Included
- 100% Leak Tested
- 100% Made in Italy
- NSF 61 & NSF 372 Certified
- Leakproof Stem - Lifetime Warranty
- 29 in-Hg Vacuum Rating
- Wetted Surfaces Contain Less Than .25% Lead Content

#### CERTIFICATIONS/APPROVALS

- NSF 372
- NSF 61-8
- NSF 61 - Annex G
- ANSI B1.20.1
- ANSI B1.20.7

#### VALVE SEAT RATING



#### MATERIALS

Cold			Hot		
No.	Part	Material	No.	Part	Material
1	Body	Lead Free Brass - C27453	1	Body	Lead Free Brass - C27453
2	Seat	PTFE G300	2	Seat	PTFE G300
3	End Nut	Lead Free Brass - C27453	3	End Nut	Lead Free Brass - C27453
4	Stem	Brass - C38500	4	Stem	Brass - C38500
5	O-Ring	FKM	5	O-Ring	FKM
6	Ball	Lead Free Brass - C28500	6	Ball	Lead Free Brass - C28500
7	Gasket	NBR 85SH	7	Gasket	NBR 85SH
8	Lace	PVC	8	Lace	PVC
9	Cap	Brass - C37700	9	Cap	Brass - C37700
10	Gasket	NBR 70SH	10	Gasket	NBR 70SH
11	Nut	Brass - C37700	11	Nut	Brass - C37700
12	Lever	Steel + Delta Protect	12	Lever	Steel + Delta Protect
13	Nut	Steel + Delta Protect	13	Nut	Steel + Delta Protect
14	Retaining Ring	Stainless Steel 302	14	Retaining Ring	Stainless Steel 302

#### DIMENSIONS

Part No	Size	A	B	C	D	E	F	G	H	I	J	K	L
850-504G Threaded	Hot	3/4" NPSM	0.63	0.63	3.80	2.95	0.67	3/4" NPT	0.75	1.82	1.79	3/4" NPT	0.94
	Cold	3/4" NPSM	0.63	0.63	3.07	2.95	0.67	3/4" NPT	0.75	1.82	1.81	1.42	0.7