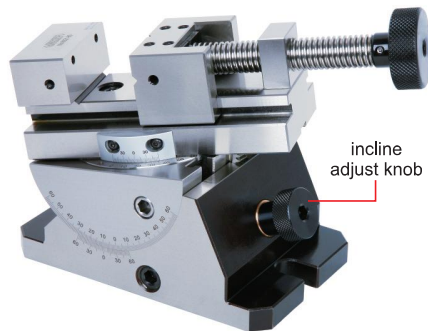
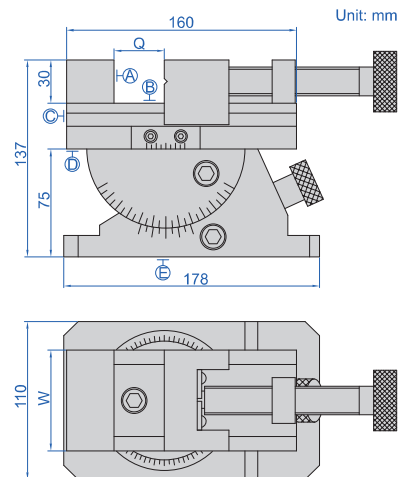


PRECISION UNIVERSAL VISE



6521-80

- Horizontal rotary: range 360°, graduation 0.05°
- Vertical incline: range 45°, graduation 0.05°
- With incline adjust knob
- Parallelism and squareness between A, B, C and D: 5 μ m/100mm, parallelism between D and E at 0°: 10 μ m/100mm
- Made of tool steel
- Hardness HRC56-58



Code	Jaw opening (Q)	Jaw width (W)
6521-80	0-80mm	70mm