

DIGITAL CALIPERS WITH DISK FACES

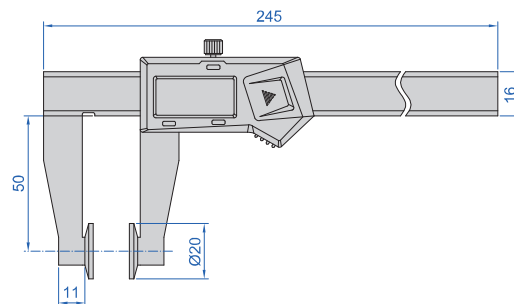
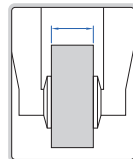
DATA
OUTPUT



1533-150

Unit : mm

- Non waterproof
- Measure thickness of soft sheets
- Resolution: 0.01mm/0.0005"
- Buttons: on/off, zero, mm/inch
- Automatic power off, move the digital unit to turn on power
- Battery CR2032
- Made of stainless steel



With data interface (optional wireless transmitter code 7315-25, receiver is needed)

Code	Range	Accuracy
1533-150	0-150mm/0-6"	±0.04mm

Built-in wireless (receiver code 7315-2/3/6/7/8/9 is needed)

Code	Range	Accuracy
1533-150WL	0-150mm/0-6"	±0.04mm