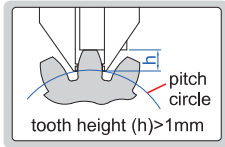
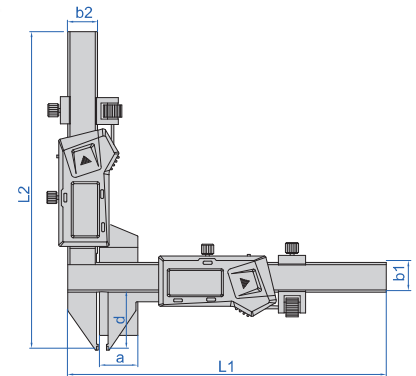


DIGITAL GEAR TOOTH CALIPERS

DATA
OUTPUT



1181-M25A



- Non waterproof
- Resolution: 0.01mm/0.0005"
- Carbide tips
- Measure the tooth thickness by positioning the tooth height (for tooth height > 1mm)
- Buttons: zero, on/off, mm/inch
- Automatic power off, move the digital unit to turn on power
- Data output
- Battery CR2032
- Made of stainless steel

With data interface (optional wireless transmitter code 7315-25, receiver is needed)

(mm)

Code	Range	Accuracy of height measurement	Accuracy of thickness measurement	Total accuracy	L1	L2	a	b1	b2	d
1181-M25A	M1-24mm	±0.03mm	±0.03mm	±0.04mm	170	165.5	21	16	16	30.5
1181-M50A	M5-45mm	±0.03mm	±0.03mm	±0.04mm	220	190	50.5	16	16	55

Built-in wireless (receiver code 7315-2/3/6/7/8/9 is needed)

(mm)

Code	Range	Accuracy of height measurement	Accuracy of thickness measurement	Total accuracy	L1	L2	a	b1	b2	d
1181-M25AWL	M1-24mm	±0.03mm	±0.03mm	±0.04mm	170	165.5	21	16	16	30.5
1181-M50AWL	M5-45mm	±0.03mm	±0.03mm	±0.04mm	220	190	50.5	16	16	55