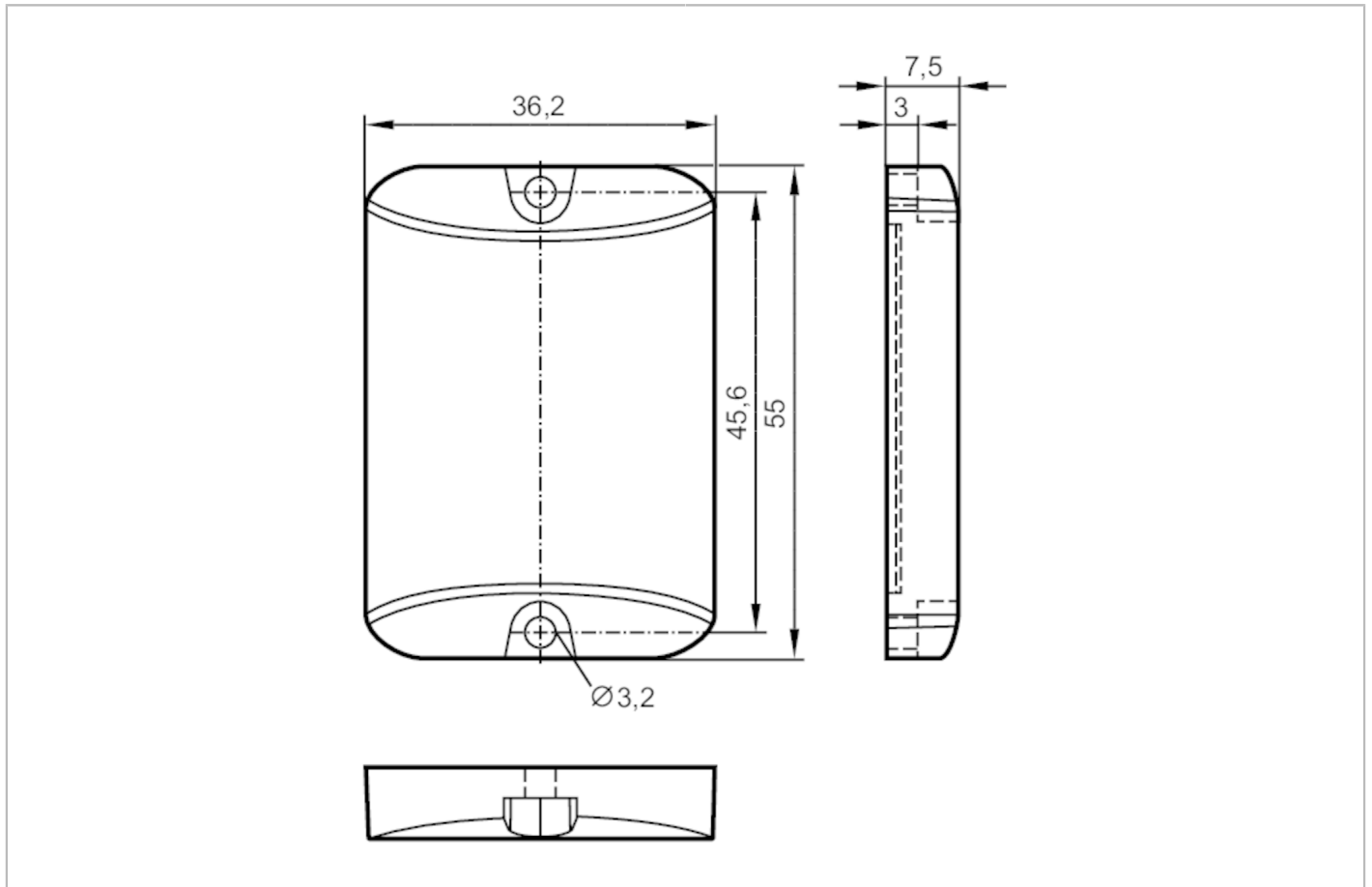


ZH4345



RFID tag

ID-TAG/51x37x7,5



Application		
Application		RFID coding of metal tanks
Electrical data		
Operating frequency	[MHz]	865...928
Memory size	[bit]	688
Memory type		EEPROM
Chip type		Alien Higgs 9
Tag identifier (TID)	[Byte]	48
Electronic product code (EPC)		96 bit
RFID standard		EPC Class1 GEN2
Max. read cycles		unlimited
Max. write cycles		100000
Operating conditions		
Ambient temperature	[°C]	-40...85
Storage temperature	[°C]	-40...250
Note on storage temperature		high temperature cycle up to 250 °C for 500 hours
Protection		IP 68
Mechanical data		
Weight	[g]	181.5
Type of mounting		panel/surf.

ZH4345



RFID tag

ID-TAG/51x37x7,5

Dimensions	[mm]	55 x 36.2 x 7.5
Material		housing: ceramics + PPSU; stainless steel (1.4404 / 316L)
Remarks		
Pack quantity		1 pcs.