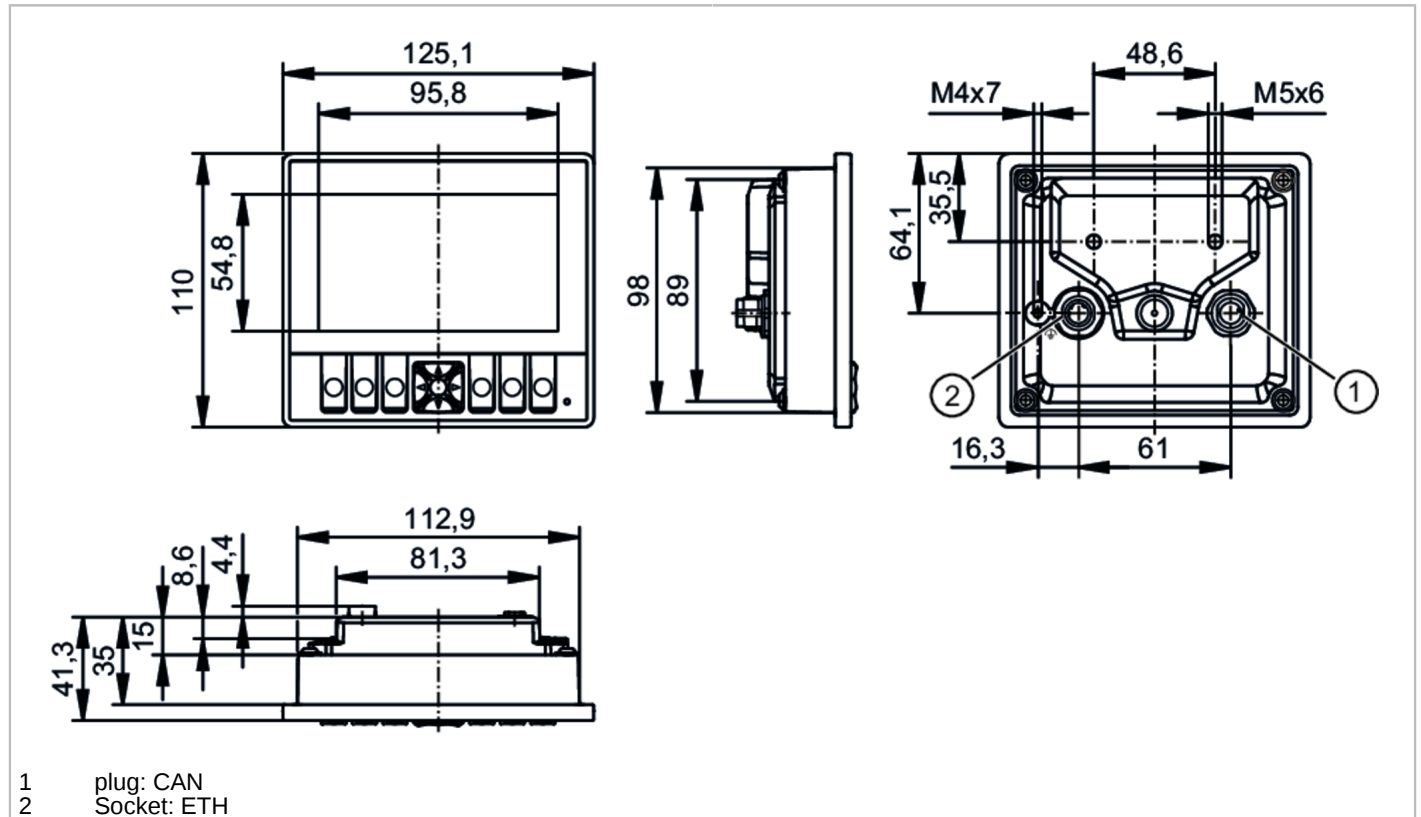


ZH4344



Pre-programmed graphic display for determining the sugar content

Pre-programmed CR1140 for Brix/Plato



Application	
Application	for determining the sugar content in Brix and Plato
Components	Programmable Human Machine Interface, CR1140
Mechanical data	
Weight	[g] 491.55
Remarks	
Remarks	For additional information, please refer to the data sheets and installation instructions for the components listed above.
Pack quantity	1 pcs.