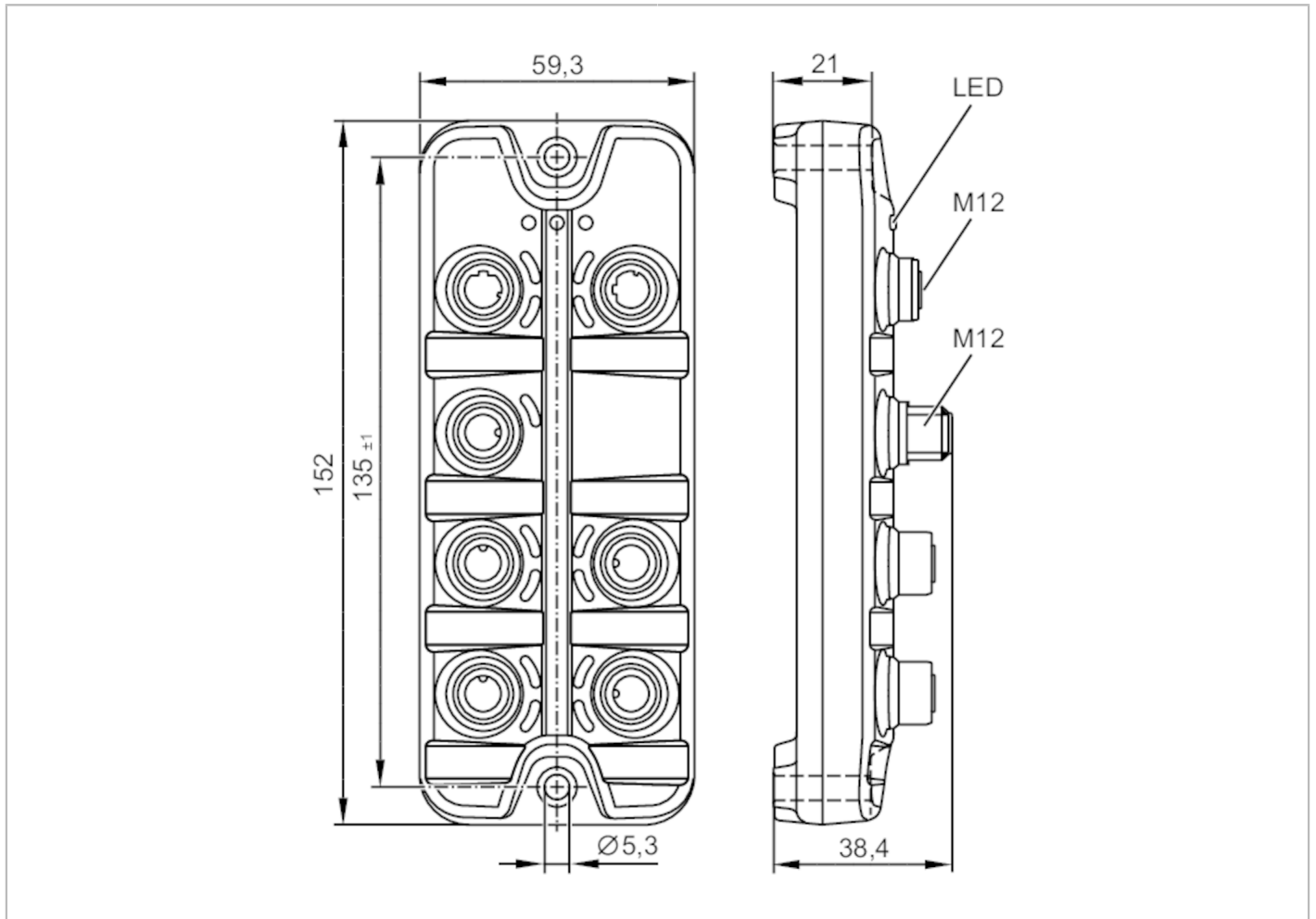


# ZH4340



## IO-Link master starter kit - O2I400 code reader

IO-LINK O2I STARTER KIT - ETHERCAT



Application	
Components	1D / 2D code readers, O2I400
	IO-Link master with EtherCAT interface, AL1330
	Connection cable 2 m, EVC058
	All male cordsets 1 m, EVC095
	plug-in power supply, E80121
Mechanical data	
Weight	[g] 0.001
Remarks	
Remarks	For additional information, please refer to the data sheets and installation instructions for the components listed above.
Pack quantity	1 pcs.