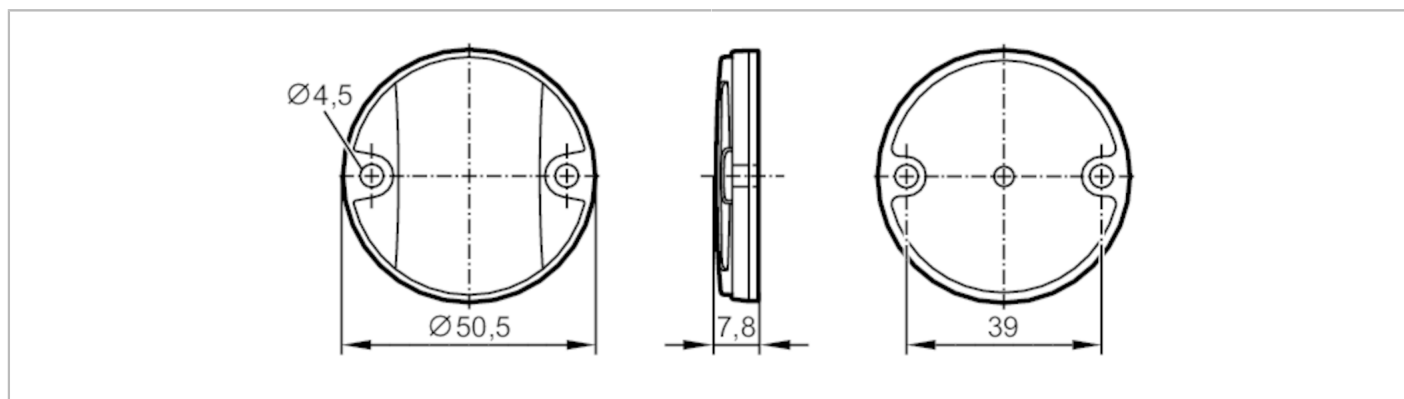


ZH4036



RFID tag

50mm Disc, 2K byte FRAM, 5 Pieces



Electrical data		
Operating frequency	[MHz]	13,56
Memory size	[bit]	16384
Memory type		FRAM
Chip type		MB89R118C
Number of the blocks		256
Block size	[Byte]	8
RFID standard		ISO 15693
Operating conditions		
Ambient temperature	[°C]	-40...85
Storage temperature	[°C]	-40...160
Protection		IP 68
Mechanical data		
Weight	[g]	57
Type of mounting		Installation on metal and non-metal materials; (screw fastening ; sticking to a surface)
Dimensions	[mm]	Ø 50.5 / L = 7.6
Material		PA 6 black
Remarks		
Pack quantity		5 pcs.

ZH4036



RFID tag

50mm Disc, 2K byte FRAM, 5 Pieces

Other data

Reading distance when mounted on non-metal (mm)

ANT410 / DTI410	8
ANT411 / DTI411	15
ANT420 / DTI420	6
ANT421 / DTI421	23
ANT430 / DTI430	23
ANT431 / DTI431	35
ANT515 / DTI515 / DTI515	27
ANT513 / DTI513 / DTI513	50
ANT600 / DTI600 / DTI600	68