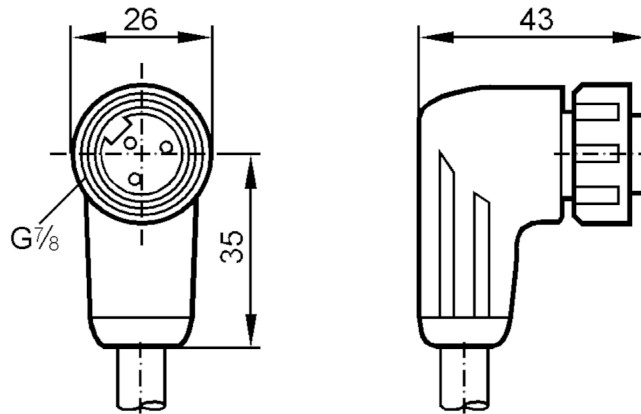


# W80657



## Female cordset

ADOAB050MKS0004X05



### Application

Application Industrial applications

### Electrical data

Operating voltage [V] < 250 AC

### Operating conditions

Ambient temperature [°C] -20...105

Protection IP 68

### Mechanical data

Weight [g] 807.394

Dimensions [mm] 43 x 26 x 35

Molded-body material PVC

Material nut diecast zinc, epoxy coated

### Remarks

Pack quantity 1 pcs.

### Electrical connection

Cable: 4 m, PVC, yellow, Ø 7.2 mm; 3 x 0.75 mm<sup>2</sup> (16 x Ø 0.5 mm )

### Electrical connection - Socket

Connector: 1 x 7/8", angled; coding: A; Moulded body: PVC; Locking: diecast zinc, epoxy coated



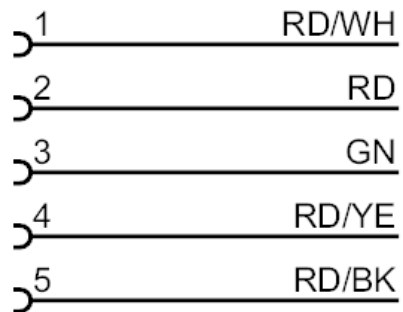
# W80657



## Female cordset

ADOAB050MKS0004X05

### Connection



Core colors :

BK =	black
GN =	green
RD =	red
WH =	white
YE =	yellow