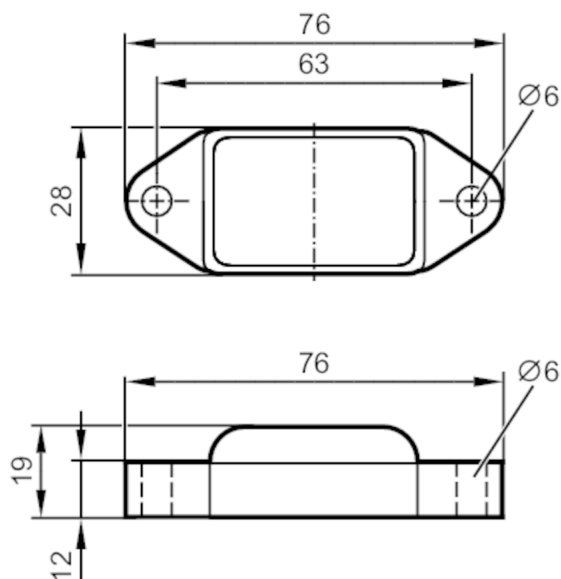


UR0006



RFID tag

ID-TAG/RECT - 1280 BIT EEPROM



Electrical data

Operating frequency	[MHz]	13,56
Memory size	[bit]	1280
Memory type		EEPROM
Chip type		ICODE SLIX-S
Number of the blocks		40
Block size	[Byte]	4
Unique Identification Number (UID)	[Byte]	8
RFID standard		ISO 15693
Max. read cycles		unlimited
Max. write cycles		100000

Operating conditions

Ambient temperature	[°C]	-50...80
Storage temperature	[°C]	-50...250
Protection		IP 68

Mechanical data

Weight	[g]	39.916
Dimensions	[mm]	76 x 19 x 28
Material		High Temperature; PA 6.6; epoxy resin

Remarks

Pack quantity		1 pcs.
---------------	--	--------

UR0006



RFID tag

ID-TAG/RECT - 1280 BIT EEPROM

Other data

Reading distance when mounted on non-metal (mm)

Antenna	read/write distance (mm)	read/write distance when mounted on metal (mm)
ANT410	10	10
ANT411	22	22
ANT420	10	10
ANT421	30	30
ANT421 + E80390	58	32
ANT430	23	23
ANT431	35	35
ANT513	58	50
ANT515 / ANT516	30	25
ANT515 / ANT516 + E80391	43	30
ANT600	105	85