

UIT512



Ultrasonic sensor

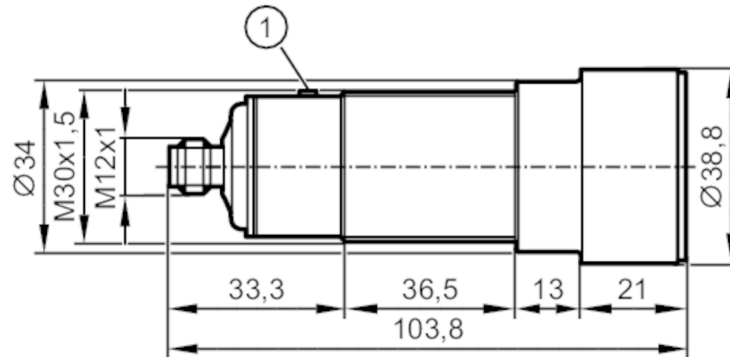
UIA06000HOKG/US

Article to be discontinued

Discontinuation date: 03/31/2026

Alternative articles: UIT513 or UIT514

When selecting an alternative article and accessories please note that technical data may differ!



1 teach button



Product characteristics

Electrical design	NPN
Output function	normally open / closed; (configurable)
Sensing range [mm]	350...6000; (Target: 400 x 400 mm)
Housing	Threaded type
Dimensions [mm]	M30 x 1.5 / L = 103.8

Electrical data

Operating voltage [V]	10...30 DC
Current consumption [mA]	< 30
Protection class	III
Reverse polarity protection	yes
Power-on delay time [s]	< 0.3
Converter frequency [kHz]	75

Inputs / outputs

Number of inputs and outputs	Number of digital outputs: 2
------------------------------	------------------------------

Outputs

Total number of outputs	2
Electrical design	NPN
Number of digital outputs	2
Output function	normally open / closed; (configurable)
Max. voltage drop switching output DC [V]	2.2
Permanent current rating of switching output DC [mA]	100
Switching frequency DC [Hz]	1

UIT512



Ultrasonic sensor

UIA06000HOKG/US

Short-circuit protection	yes
Overload protection	yes

Monitoring range	
Sensing range [mm]	350...6000; (Target: 400 x 400 mm)
Blind zone [mm]	350
Angle of aperture cylindrical [°]	15; (±2)
Max. deviation from the 90° angle sensor/object [°]	± 4

Accuracy / deviations	
Temperature compensation	yes
Hysteresis [%]	1
Switch-point drift [%]	-5...5
Repeatability	1 %
Resolution [mm]	3
Notes on the accuracy / deviation	The indicated values are reached after a warm-up time of min. 20 minutes

Operating conditions	
Ambient temperature [°C]	-20...70
Storage temperature [°C]	-30...80
Protection	IP 67

Tests / approvals		
EMC	EN 61000-4-2 ESD	4 kV CD / 8 kV AD
	EN 61000-4-3 HF radiated	3 V/m
	EN 61000-4-4 Burst	2 kV
	EN 61000-4-6 HF conducted	3 V
	EN 55011	class A
Vibration resistance	EN 60068-2-6 Fc	(10-55) Hz 1 mm amplitude, vibration duration 5 min., 30 min. per axis with resonance or 55 Hz
Shock resistance	EN 60068-2-27 Ea	30 g 11 ms half-sine; 3 shocks each in every direction of the 3 coordinate axes
MTTF [years]		143
UL approval	Ta	-20...70 °C
	voltage supply	Class 2
	File number UL	E174191

Mechanical data	
Weight [g]	241
Housing	Threaded type
Dimensions [mm]	M30 x 1.5 / L = 103.8
Thread designation	M30 x 1.5
Material	stainless steel (1.4404 / 316L); PA; epoxy glass ceramics
Tightening torque [Nm]	100

Displays / operating elements		
Display	Switching status	2 x LED, yellow
	echo	1 x LED, green
Teach function		yes

UIT512



Ultrasonic sensor

UIA06000HOKG/US

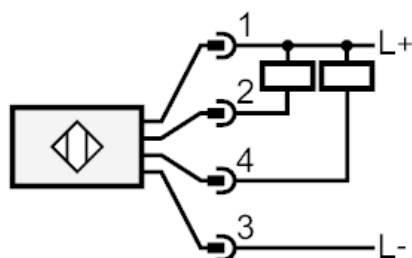
Accessories	
Items supplied	lock nuts: 2 x M30, stainless steel
Remarks	
Remarks	cULus - Class 2 source required
Pack quantity	1 pcs.

Electrical connection

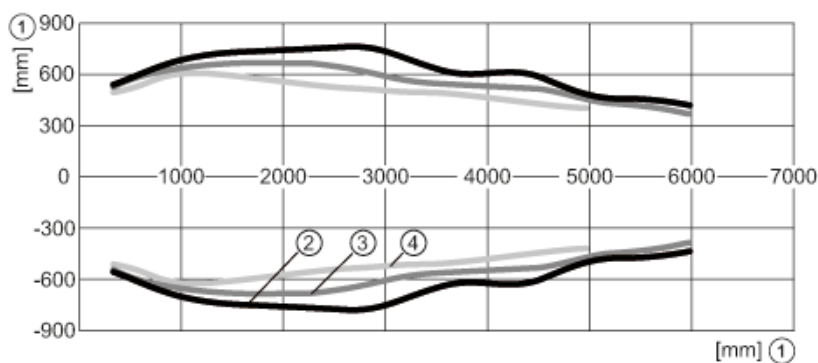
Connector: 1 x M12; coding: A



Connection



Diagrams and graphs



- 1 Distance
- 2 Standard sound cone
- 3 Medium sound cone
- 4 Narrow sound cone