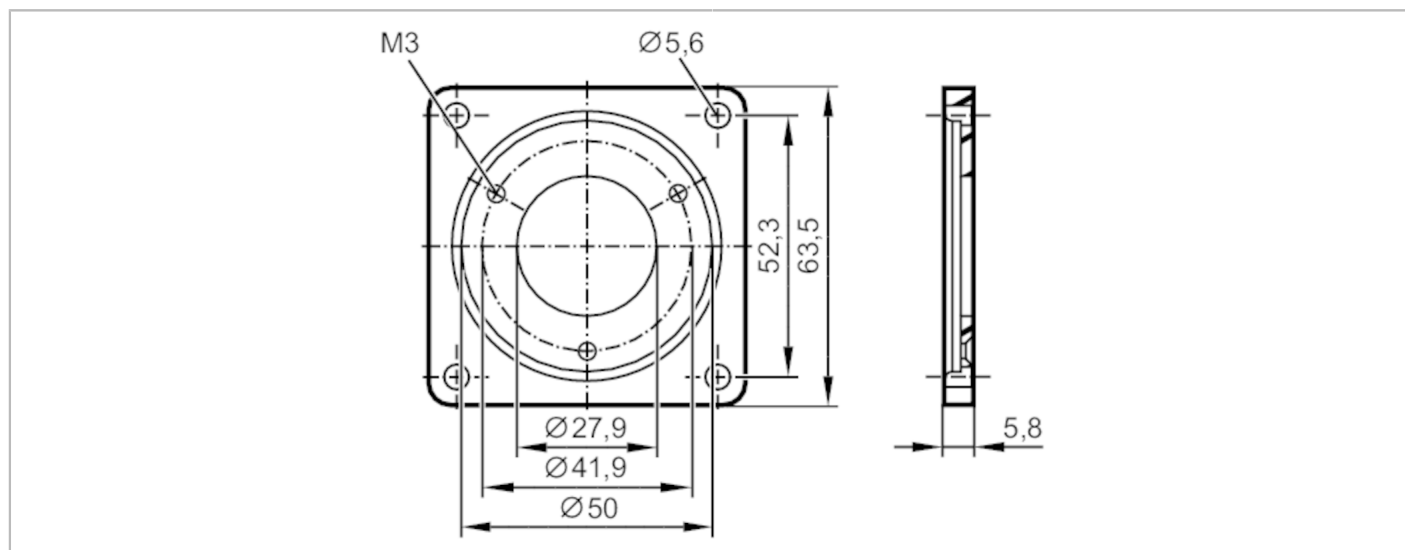


UD0004



Flange plate for encoders

FLANGE, 2.5", FOR RUXXXX



Application	
Design	for encoders
Mechanical data	
Weight [g]	444.52
Material	aluminum anodized
Accessories	
Items supplied	screws: 3 x M4
Remarks	
Pack quantity	1 pcs.