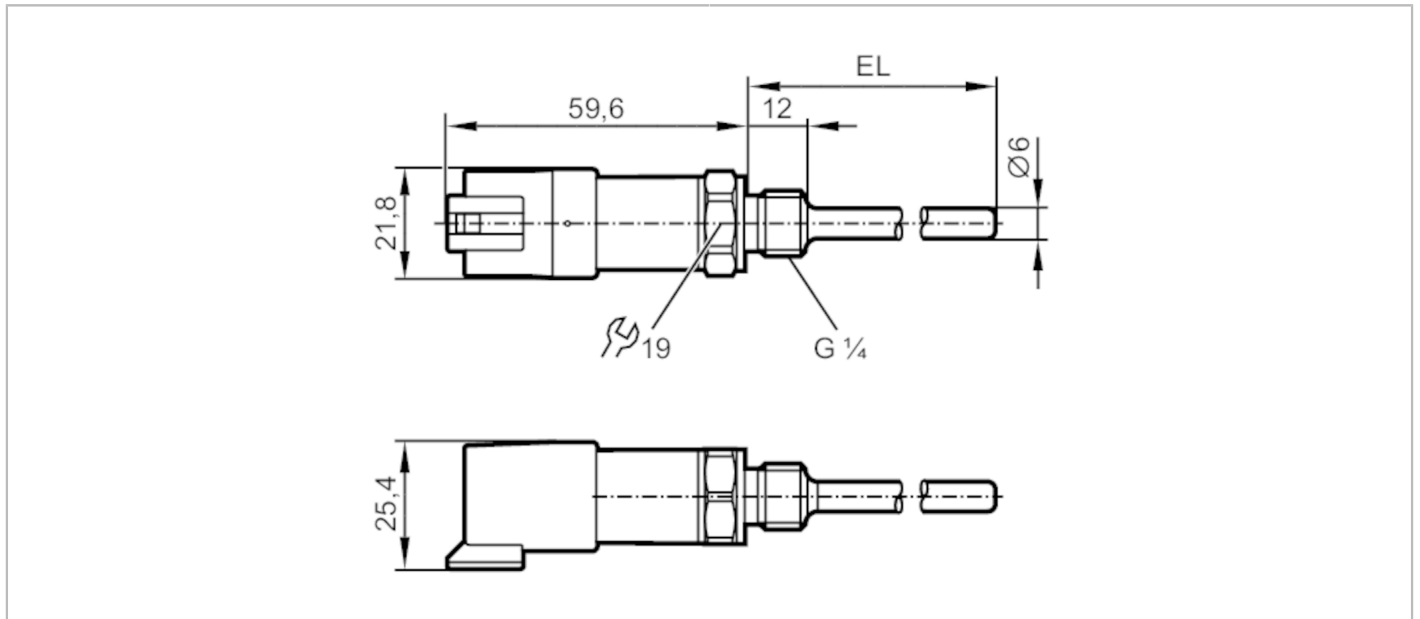


TU4105



Temperature transmitter

TU-025CLEM14-A-ZVG/DE



Product characteristics	
Number of inputs and outputs	Number of analog outputs: 1
Measuring range	-50...150 °C -58...302 °F
Process connection	threaded connection G 1/4 external thread
Installation length EL [mm]	25
Application	
Measuring element	1 x Pt 1000; (to DIN EN 60751, class A)
Media	liquids and gases
Pressure rating [bar]	400
Electrical data	
Operating voltage [V]	8...32 DC; (cULus - Class 2 source required)
Current consumption [mA]	< 30
Protection class	III
Reverse polarity protection	yes
Inputs / outputs	
Number of inputs and outputs	Number of analog outputs: 1
Outputs	
Total number of outputs	1
Output signal	analog signal
Number of analog outputs	1
Analog voltage output [V]	0.5...4.5
Min. load resistance [Ω]	2000
Short-circuit protection	yes
Overload protection	yes
Measuring/setting range	
Probe length L [mm]	13

TU4105



Temperature transmitter

TU-025CLEM14-A-ZVG/DE

Measuring range	-50...150 °C	-58...302 °F
-----------------	--------------	--------------

Resolution		
------------	--	--

Resolution of analog output [K]		0.1
---------------------------------	--	-----

Accuracy / deviations

Precision analog output [K]		$\pm 0,3 + (\pm 0,1 \% MS)$
-----------------------------	--	-----------------------------

Temperature coefficient [% of the span / 10 K]		0,1; (In case of deviation from the reference condition 25 ± 5 °C)
--	--	--

Reaction times

Dynamic response T05 / T09 [s]		1 / 3; (according to DIN EN 60751)
--------------------------------	--	------------------------------------

Operating conditions

Ambient temperature [°C]		-40...100
--------------------------	--	-----------

Storage temperature [°C]		-40...100
--------------------------	--	-----------

Protection		IP 68; IP 69K
------------	--	---------------

Tests / approvals

EMC	DIN EN 61000-6-2	
-----	------------------	--

	DIN EN 61000-6-3	
--	------------------	--

Shock resistance	DIN EN 60068-2-27	50 g (11 ms)
------------------	-------------------	--------------

Vibration resistance	DIN EN 60068-2-6	20 g (10...2000 Hz)
----------------------	------------------	---------------------

MTTF [years]		849
--------------	--	-----

UL approval	UL approval number	K009
-------------	--------------------	------

Mechanical data

Weight [g]		92.5
------------	--	------

Housing		tubular
---------	--	---------

Dimensions [mm]		$\varnothing 21 / L = 84.6$
-----------------	--	-----------------------------

Material		stainless steel (1.4404 / 316L); PPS; FKM
----------	--	---

Materials (wetted parts)		stainless steel (1.4404 / 316L); FKM
--------------------------	--	--------------------------------------

Process connection		threaded connection G 1/4 external thread
--------------------	--	---

Probe diameter [mm]		6
---------------------	--	---

Installation length EL [mm]		25
-----------------------------	--	----

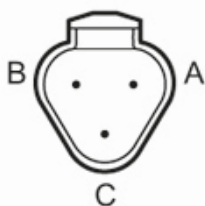
Remarks

Remarks	The values for accuracy apply to flowing water. referring to UL: for use on a low voltage circuit with overcurrent protection in accordance with UL873 tab. 28.1 or $I_{max} = 100/U_b$ (U_b = voltage of the circuit)	
---------	---	--

Pack quantity		1 pcs.
---------------	--	--------

Electrical connection

Connector: 1 x DEUTSCH connector (DT04-3P)



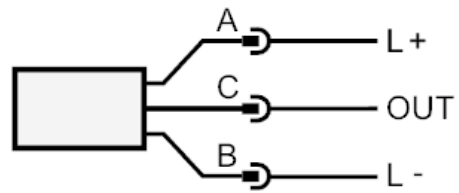
TU4105



Temperature transmitter

TU-025CLEM14-A-ZVG/DE

Connection



OUT: analog output