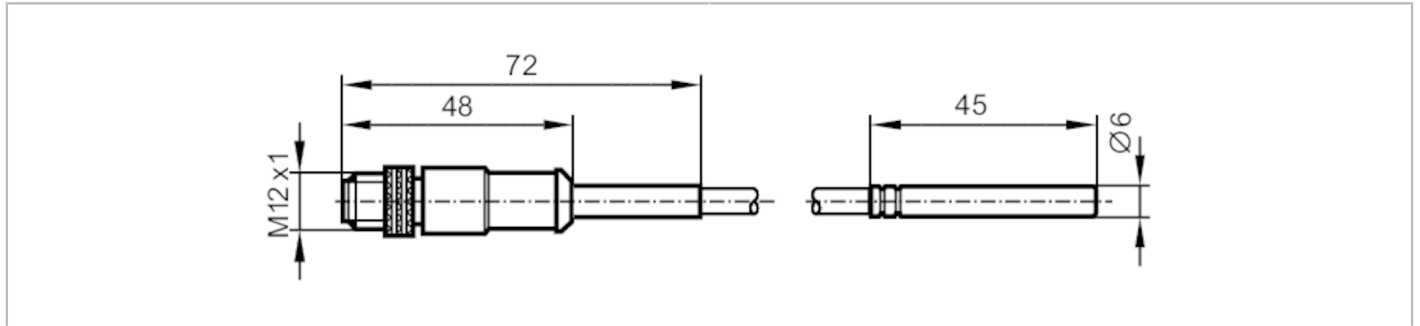


# TS2269



## Temperature cable sensor with process connection

TS-200KDKD6-...../US/



Product characteristics		
Measuring range	-40...90 °C	-40...194 °F
Process connection	Clamp fitting Ø 6 mm	
Installation length EL [mm]	45	
Application		
System	gold-plated contacts	
Measuring element	1 x Pt 1000; (to DIN EN 60751, class A)	
Media	liquids and gases	
Minimum installation depth [mm]	15	
Electrical data		
Protection class	III	
Measuring/setting range		
Probe length L [mm]	45	
Measuring range	-40...90 °C	-40...194 °F
Accuracy / deviations		
Accuracy [K]	± (0,15 K + 0,002 x t )	
Reaction times		
Dynamic response T05 / T09 [s]	3 / 10; (according to DIN EN 60751)	
Operating conditions		
Protection	IP 67	
Tests / approvals		
MTTF [years]	11415.5	
Mechanical data		
Weight [g]	65.6	
Housing	tubular	
Design	Measuring probes	
Dimensions [mm]	Ø 6 / L = 45	
Material	stainless steel	
Materials (wetted parts)	stainless steel (1.4404 / 316L)	
Process connection	Clamp fitting Ø 6 mm	
Probe diameter [mm]	6	
Installation length EL [mm]	45	

# TS2269



## Temperature cable sensor with process connection

TS-200KDKD6-...../US/

### Remarks

Remarks	The values for accuracy apply to flowing water.
Pack quantity	1 pcs.

### Electrical connection

Cable: 2 m, PUR

Connector: 1 x M12; coding: A; Contacts: gold-plated



### Connection

