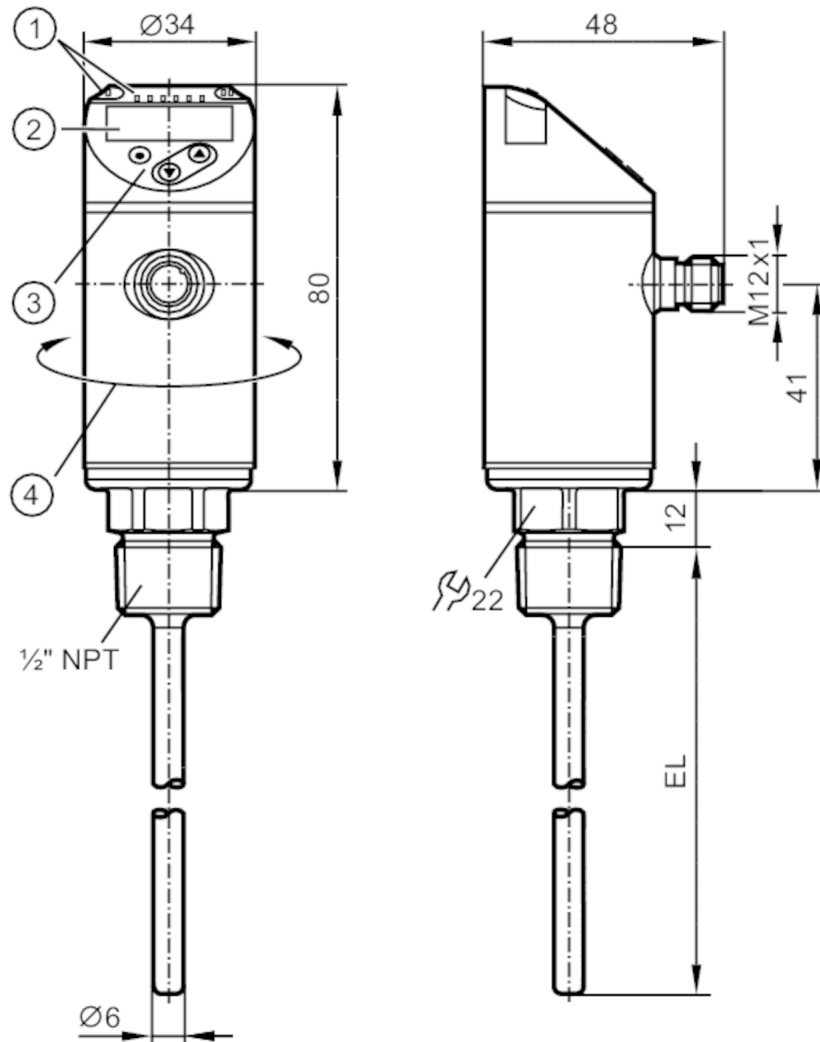


TN2343



Temperature sensor with display

TN-150KLBN12-MFRKG/US/



- 1 LEDs Display unit / Switching status
- 2 alphanumeric display 4-digit red/green
- 3 Programming buttons
- 4 upper part of the housing can be rotated 345°



Product characteristics

Number of inputs and outputs	Number of digital outputs: 2; Number of analog outputs: 1	
Measuring range	-50...150 °C	-58...302 °F
Communication interface	IO-Link	
Process connection	threaded connection 1/2" NPT external thread	
Installation length EL [mm]	150	

Application

System	gold-plated contacts	
Measuring element	1 x Pt 1000; (to DIN EN 60751, class A)	
Media	liquids and gases	
Pressure rating	250 bar	25 MPa



Temperature sensor with display

TN-150KLBN12-MFRKG/US/

Electrical data	
Operating voltage [V]	18...32 DC; (cULus - Class 2 source required)
Current consumption [mA]	< 50
Protection class	III
Reverse polarity protection	yes
Power-on delay time [s]	1
Integrated watchdog	yes
Inputs / outputs	
Number of inputs and outputs	Number of digital outputs: 2; Number of analog outputs: 1
Outputs	
Total number of outputs	2
Output signal	switching signal; analog signal; IO-Link; (configurable)
Electrical design	PNP/NPN
Number of digital outputs	2
Output function	normally open / closed; (configurable)
Max. voltage drop switching output DC [V]	2.5
Permanent current rating of switching output DC [mA]	250
Number of analog outputs	1
Analog current output [mA]	4...20
Max. load [Ω]	500
Analog voltage output [V]	0...10
Min. load resistance [Ω]	2000
Short-circuit protection	yes
Type of short-circuit protection	yes (non-latching)
Overload protection	yes
Measuring/setting range	
Probe length L [mm]	133.4
Measuring range	-50...150 °C -58...302 °F
Factory setting	0...300 °F
Set point SP	-49.8...150 °C -57.6...302 °F
Reset point rP	-50...149.8 °C -58...301.6 °F
Analog start point	-50...145 °C -58...293 °F
Analog end point	-45...150 °C -49...302 °F
In steps of	0.1 °C 0.1 °F
Resolution	
Resolution of switching output [K]	0.1
Resolution of analog output [K]	current output: MS / 4096; voltage output: MS / 3561
Resolution of display [K]	0.1
Accuracy / deviations	
Switch point accuracy [K]	± 0,3 + (± 0,1 % MS)
Precision analog output [K]	± 0,3 + (± 0,1 % MS)

TN2343



Temperature sensor with display

TN-150KLBN12-MFRKG/US/

Display accuracy	[K]	± 0,3 + (± 0,1 % MS)	
Temperature coefficient	[% of the span / 10 K]	0,1; (In case of deviation from the reference condition 25 ± 5 °C)	
Reaction times			
Dynamic response T05 / T09	[s]	1 / 3; (according to DIN EN 60751)	
Software / programming			
Parameter setting options		hysteresis / window; normally open / closed; switching logic; switch-on/switch-off delay; Damping; Display unit; current/voltage output	
Interfaces			
Communication interface		IO-Link	
Transmission type		COM2 (38,4 kBaud)	
IO-Link revision		1.1	
Profiles		Smart Sensor - SSP 0	Generic Profiled Sensor
		Function	Device identification
		Function	Process data variable
		Function	Device diagnosis
Min. process cycle time	[ms]	2.3	
Supported DeviceIDs		Type of operation	DeviceID
		default	707
Operating conditions			
Ambient temperature	[°C]	-25...80	
Storage temperature	[°C]	-40...100	
Protection		IP 67	
Tests / approvals			
EMC		DIN EN 61000-6-2	
		DIN EN 61000-6-3	
Shock resistance		DIN IEC 68-2-27	50 g (11 ms)
Vibration resistance		DIN EN 60068-2-6	20 g (10...2000 Hz)
MTTF	[years]	207	
UL approval		UL approval number	K015
Mechanical data			
Weight	[g]	304.5	
Housing		tubular	
Dimensions	[mm]	Ø 34 / L = 242	
Material		stainless steel (1.4404 / 316L); PBT+PC-GF30; PBT-GF20; PC	
Materials (wetted parts)		stainless steel (1.4404 / 316L)	
Process connection		threaded connection 1/2" NPT external thread	
Probe diameter	[mm]	6	
Installation length EL	[mm]	150	
Displays / operating elements			
Display		Display unit	2 x LED, green
		Switching status	2 x LED, yellow
		Measured values	alphanumeric display, red/green 4-digit

TN2343



Temperature sensor with display

TN-150KLBN12-MFRKG/US/

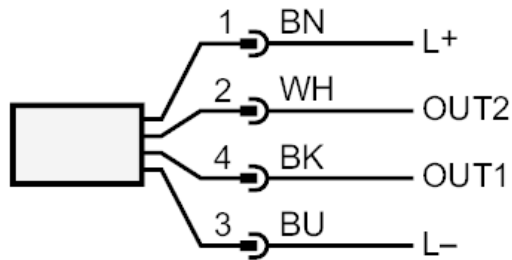
Remarks	
Remarks	MS = set measuring span The values for accuracy apply to flowing water.
Pack quantity	1 pcs.

Electrical connection

Connector: 1 x M12; coding: A; Contacts: gold-plated



Connection



OUT1: Switching output / IO-Link
OUT2: Switching output / analog output
Colors to DIN EN 60947-5-2
Core colors :
BK = black
BN = brown
BU = blue
WH = white