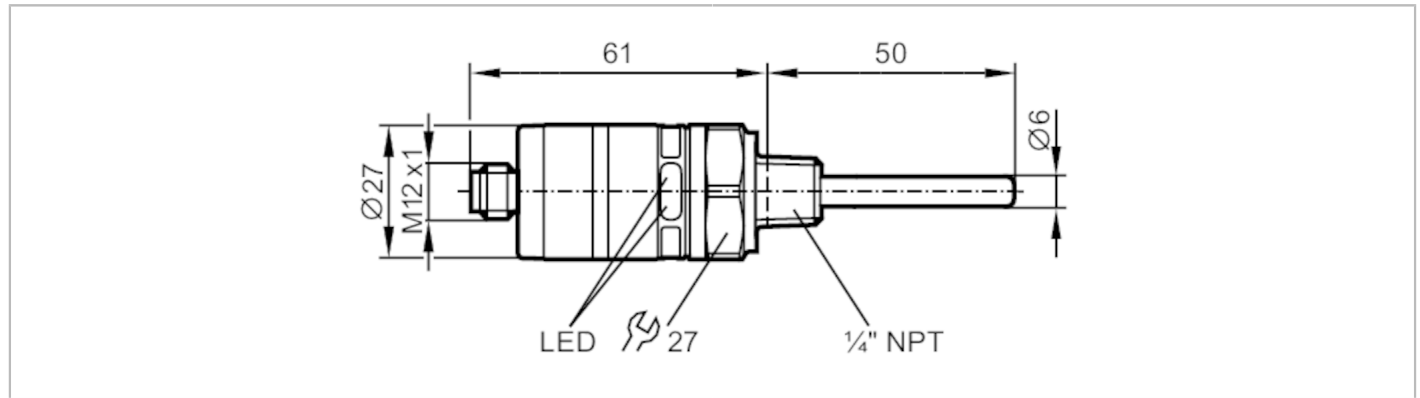


TK6310



Temperature switch with intuitive switch point setting

TK-050CLFN14-QKPKG / US



Product characteristics

Number of inputs and outputs	Number of digital outputs: 2	
Measuring range	-20...140 °C	-4...284 °F
Process connection	threaded connection 1/4" NPT external thread	
Installation length EL [mm]	50	

Application

System	gold-plated contacts	
Measuring element	1 x Pt 1000; (to DIN EN 60751, class A)	
Media	liquids and gases	
Medium temperature [°C]	-40...145	
Pressure rating	400 bar	40 MPa

Electrical data

Operating voltage [V]	9.6...32 DC; (cULus - Class 2 source required)	
Current consumption [mA]	< 30	
Protection class	III	
Reverse polarity protection	yes	
Power-on delay time [s]	0.5	

Inputs / outputs

Number of inputs and outputs	Number of digital outputs: 2	
------------------------------	------------------------------	--

Outputs

Total number of outputs	2	
Output signal	switching signal	
Electrical design	PNP	
Number of digital outputs	2	
Output function	complementary	
Max. voltage drop switching output DC [V]	2	
Permanent current rating of switching output DC [mA]	500	
Short-circuit protection	yes	
Type of short-circuit protection	yes (non-latching)	
Overload protection	yes	

TK6310



Temperature switch with intuitive switch point setting

TK-050CLFN14-QKPKG / US

Measuring/setting range		
Probe length L	[mm]	38
Measuring range		-20...140 °C -4...284 °F
Set point SP		-16...140 °C 3...284 °F
Reset point rP		-20...136 °C -4...277 °F
Accuracy / deviations		
Temperature drift per 10 K	[K]	0.1 **)
Repeatability	[K]	± 0,1
Setting accuracy	[K]	± 3
Reaction times		
Dynamic response T05 / T09	[s]	1 / 3; (according to DIN EN 60751)
Software / programming		
Adjustment of the switch point		setting rings
Operating conditions		
Ambient temperature	[°C]	-40...80
Note on ambient temperature		at medium temperature: < 80 °C -40...50 °C at medium temperature: < 145 °C
Storage temperature	[°C]	-40...100
Protection		IP 67
Tests / approvals		
EMC	DIN EN 61000-4-2 ESD	4 kV CD / 8 kV AD
	EN 61000-4-3 HF radiated	10 V/m
	DIN EN 61000-4-4 Burst	2 kV
	EN 61000-4-6 HF conducted	10 V
Shock resistance	DIN IEC 68-2-27	50 g (11 ms)
Vibration resistance	DIN EN 60068-2-6	20 g (10...2000 Hz)
MTTF	[years]	643.1
UL approval	UL approval number	K018
Mechanical data		
Weight	[g]	100.5
Housing		tubular
Dimensions	[mm]	Ø 27 / L = 111
Material		stainless steel (1.4404 / 316L); PC; PBT; FKM
Materials (wetted parts)		stainless steel (1.4404 / 316L); FKM
Process connection		threaded connection 1/4" NPT external thread
Probe diameter	[mm]	6
Installation length EL	[mm]	50
Displays / operating elements		
Display	Power	LED, green
	Switching status	LED, yellow
Remarks		
Remarks	**) In case of deviation from the reference condition 25 °C The values for accuracy apply to flowing water.	

TK6310



Temperature switch with intuitive switch point setting

TK-050CLFN14-QKPKG / US

Pack quantity

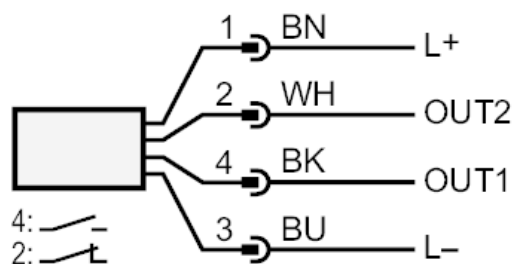
1 pcs.

Electrical connection

Connector: 1 x M12; coding: A; Contacts: gold-plated



Connection



Colors to DIN EN 60947-5-2

Core colors :

BK = black
BN = brown
BU = blue
WH = white