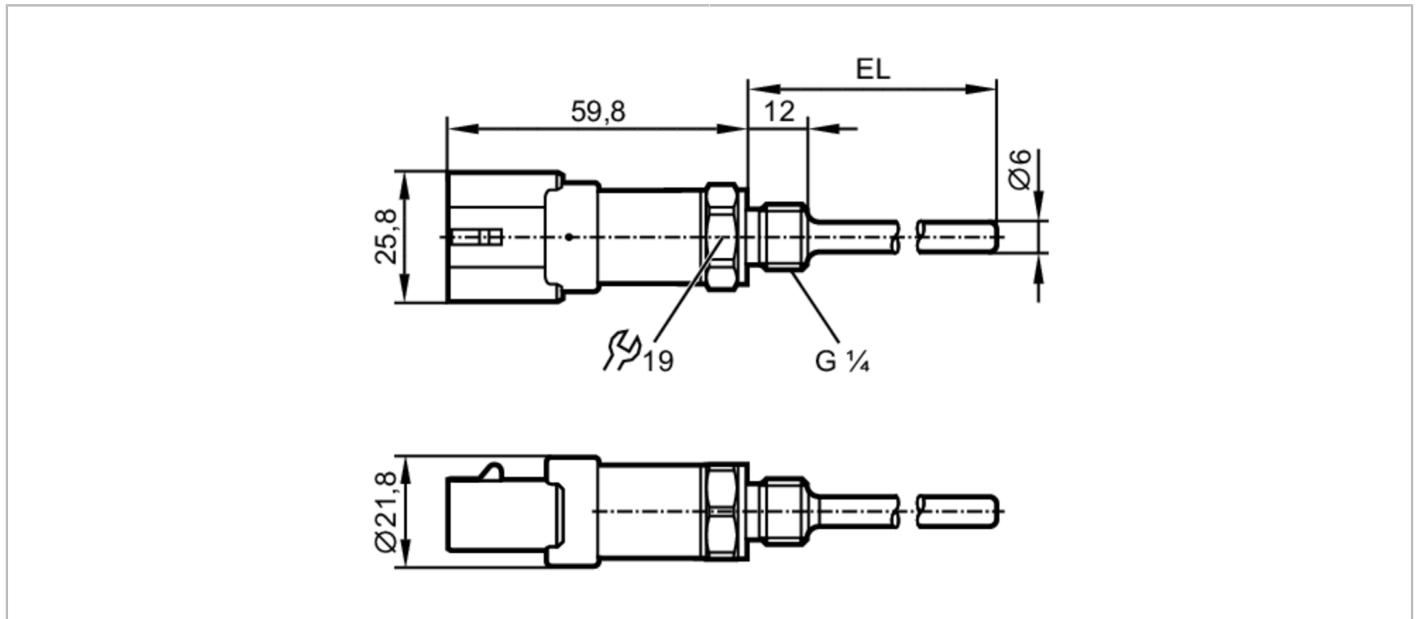


# TA5115



## Temperature transmitter

TA-050CLEM14-A-ZVG/AM



Product characteristics	
Number of inputs and outputs	Number of analog outputs: 1
Measuring range	-50...150 °C      -58...302 °F
Process connection	threaded connection G 1/4 external thread
Installation length EL [mm]	50
Application	
Measuring element	1 x Pt 1000; (to DIN EN 60751, class A)
Media	liquids and gases
Pressure rating [bar]	400
Electrical data	
Operating voltage [V]	10...30 DC; (cULus - Class 2 source required)
Current consumption [mA]	< 30
Protection class	III
Reverse polarity protection	yes
Inputs / outputs	
Number of inputs and outputs	Number of analog outputs: 1
Outputs	
Total number of outputs	1
Output signal	analog signal
Number of analog outputs	1
Analog current output [mA]	4...20
Max. load [Ω]	(U <sub>b</sub> - 8,5 V) / 21,5 mA; 24 V: 720 Ω
Short-circuit protection	yes
Overload protection	yes
Measuring/setting range	
Probe length L [mm]	38

# TA5115



## Temperature transmitter

TA-050CLEM14-A-ZVG/AM

Measuring range	-50...150 °C	-58...302 °F
Resolution		
Resolution of analog output [K]	0.04	
<b>Accuracy / deviations</b>		
Precision analog output [K]	± 0,3 + (± 0,1 % MS)	
Temperature coefficient [% of the span / 10 K]	0,1; (In case of deviation from the reference condition 25 ± 5 °C)	
<b>Reaction times</b>		
Dynamic response T05 / T09 [s]	1 / 3; (according to DIN EN 60751)	
<b>Operating conditions</b>		
Ambient temperature [°C]	-40...100	
Storage temperature [°C]	-40...100	
Protection	IP 68; IP 69K	
<b>Tests / approvals</b>		
EMC	DIN EN 61000-6-2	
	DIN EN 61000-6-3	
Shock resistance	DIN EN 60068-2-27	50 g (11 ms)
Vibration resistance	DIN EN 60068-2-6	20 g (10...2000 Hz)
MTTF [years]	1092	
UL approval	UL approval number	K007
<b>Mechanical data</b>		
Weight [g]	94.5	
Housing	tubular	
Dimensions [mm]	Ø 21.8 / L = 109.8	
Material	stainless steel (1.4404 / 316L); PPS; FKM	
Materials (wetted parts)	stainless steel (1.4404 / 316L); FKM	
Process connection	threaded connection G 1/4 external thread	
Probe diameter [mm]	6	
Installation length EL [mm]	50	
<b>Remarks</b>		
Remarks	The values for accuracy apply to flowing water. referring to UL: for use on a low voltage circuit with overcurrent protection in accordance with UL873 tab. 28.1 or I <sub>max</sub> = 100/U <sub>b</sub> (U <sub>b</sub> = voltage of the circuit)	
Pack quantity	1 pcs.	

## Electrical connection

Connector: 1 x AMP-Superseal



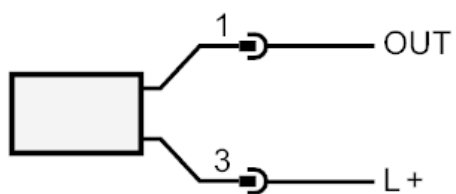
# TA5115



## Temperature transmitter

TA-050CLEM14-A-ZVG/AM

### Connection



OUT: analog output