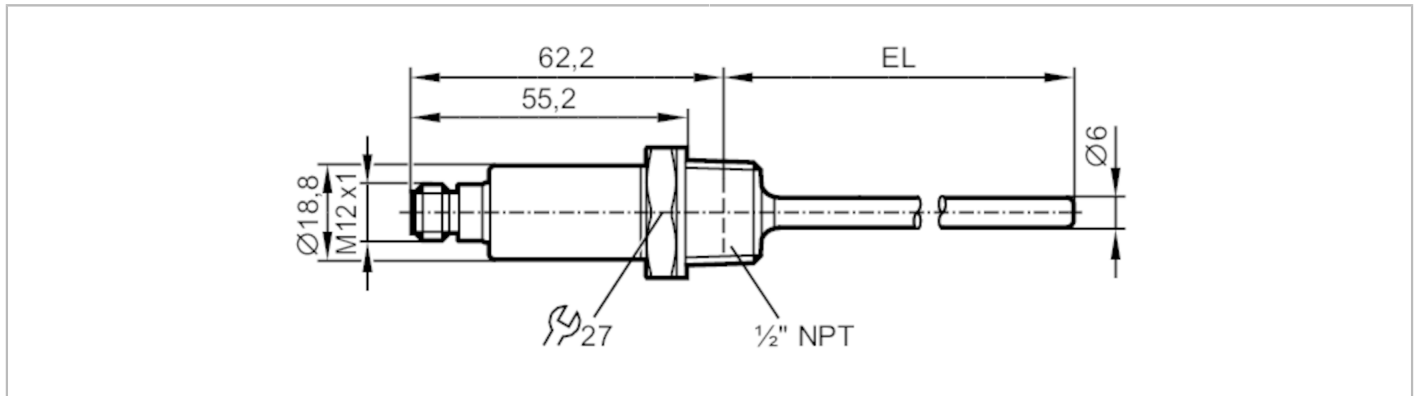


TA3633



Temperature transmitter

TA-100FLEN12-A-ZVG/US




Product characteristics	
Number of inputs and outputs	Number of analog outputs: 1
Measuring range	-18...149 °C 0...300 °F
Process connection	threaded connection 1/2" NPT external thread
Installation length EL [mm]	100
Application	
System	gold-plated contacts
Measuring element	1 x Pt 1000; (to DIN EN 60751, class A)
Media	liquids and gases
Pressure rating [bar]	300
Electrical data	
Operating voltage [V]	10...30 DC
Current consumption [mA]	< 30
Protection class	III
Reverse polarity protection	yes
Inputs / outputs	
Number of inputs and outputs	Number of analog outputs: 1
Outputs	
Total number of outputs	1
Output signal	analog signal
Number of analog outputs	1
Analog current output [mA]	4...20
Max. load [Ω]	(U _b - 8,5 V) / 21,5 mA; 24 V: 720 Ω
Short-circuit protection	yes
Overload protection	yes
Measuring/setting range	
Probe length L [mm]	91.99
Measuring range	-18...149 °C 0...300 °F
Resolution	
Resolution of analog output [K]	0.04

TA3633



Temperature transmitter

TA-100FLEN12-A-ZVG/US

Accuracy / deviations		
Precision analog output [K]		$\pm 0,3 + (\pm 0,1 \% MS)$
Temperature coefficient [% of the span / 10 K]		0,1; (In case of deviation from the reference condition $25 \pm 5 \text{ }^\circ\text{C}$)
Reaction times		
Dynamic response T05 / T09 [s]		1 / 3; (according to DIN EN 60751)
Operating conditions		
Ambient temperature [°C]		-40...100
Storage temperature [°C]		-40...100
Protection		IP 68; IP 69K
Tests / approvals		
EMC	DIN EN 61000-6-2	
	DIN EN 61000-6-3	
Shock resistance	DIN EN 60068-2-27	50 g (11 ms)
Vibration resistance	DIN EN 60068-2-6	20 g (10...2000 Hz)
UL approval	voltage supply	Class 2
	UL approval number	K005
	File number UL	E217884
Mechanical data		
Weight [g]		115.7
Housing		tubular
Dimensions [mm]		$\varnothing 18.8 / L = 162.2$
Material		stainless steel (1.4404 / 316L); PEI; FKM
Materials (wetted parts)		stainless steel (1.4404 / 316L)
Process connection		threaded connection 1/2" NPT external thread
Probe diameter [mm]		6
Installation length EL [mm]		100
Remarks		
Remarks		The values for accuracy apply to flowing water. referring to UL: for use on a low voltage circuit with overcurrent protection
Pack quantity		1 pcs.
Electrical connection		
Connector: 1 x M12; coding: A; Contacts: gold-plated		
		

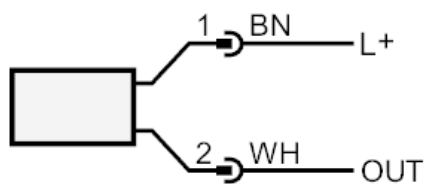
TA3633



Temperature transmitter

TA-100FLEN12-A-ZVG/US

Connection



OUT: analog output
Colors to DIN EN 60947-5-2