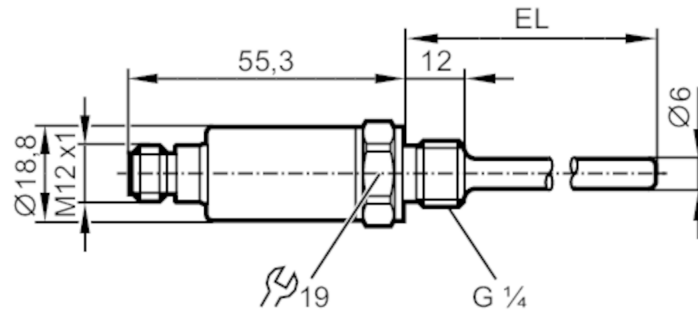


# TA3115



## Temperature transmitter

TA-050CLEM14-A-ZVG/US



### Product characteristics

Number of inputs and outputs	Number of analog outputs: 1	
Measuring range	-50...150 °C	-58...302 °F
Process connection	threaded connection G 1/4 external thread	
Installation length EL [mm]	50	

### Application

System	gold-plated contacts	
Measuring element	1 x Pt 1000; (to DIN EN 60751, class A)	
Media	liquids and gases	
Pressure rating [bar]	400	

### Electrical data

Operating voltage [V]	10...30 DC; (cULus - Class 2 source required)	
Current consumption [mA]	< 30	
Protection class	III	
Reverse polarity protection	yes	

### Inputs / outputs

Number of inputs and outputs	Number of analog outputs: 1	
------------------------------	-----------------------------	--

### Outputs

Total number of outputs	1	
Output signal	analog signal	
Number of analog outputs	1	
Analog current output [mA]	4...20	
Max. load [Ω]	(U <sub>b</sub> - 8,5 V) / 21,5 mA; 24 V: 720 Ω	
Short-circuit protection	yes	
Overload protection	yes	

### Measuring/setting range

Probe length L [mm]	38	
Measuring range	-50...150 °C	-58...302 °F

### Resolution


Resolution of analog output [K]	0.04	
---------------------------------	------	--

# TA3115



## Temperature transmitter

TA-050CLEM14-A-ZVG/US

Accuracy / deviations		
Precision analog output [K]		$\pm 0,3 + (\pm 0,1 \% MS)$
Temperature coefficient [% of the span / 10 K]		0,1; (In case of deviation from the reference condition $25 \pm 5 \text{ }^\circ\text{C}$ )
Reaction times		
Dynamic response T05 / T09 [s]		1 / 3; (according to DIN EN 60751)
Operating conditions		
Ambient temperature [°C]		-40...100
Storage temperature [°C]		-40...100
Protection		IP 68; IP 69K
Tests / approvals		
EMC	DIN EN 61000-6-2	
	DIN EN 61000-6-3	
Shock resistance	DIN EN 60068-2-27	50 g (11 ms)
Vibration resistance	DIN EN 60068-2-6	20 g (10...2000 Hz)
MTTF [years]		1092
UL approval	UL approval number	K005
Mechanical data		
Weight [g]		94
Housing		tubular
Dimensions [mm]		$\varnothing 18.8 / L = 105.3$
Material		stainless steel (1.4404 / 316L); PEI; FKM
Materials (wetted parts)		stainless steel (1.4404 / 316L); FKM
Process connection		threaded connection G 1/4 external thread
Probe diameter [mm]		6
Installation length EL [mm]		50
Remarks		
Remarks		The values for accuracy apply to flowing water. referring to UL: for use on a low voltage circuit with overcurrent protection in accordance with UL873 tab. 28.1 or $I_{max} = 100/U_b$ ( $U_b$ = voltage of the circuit)
Pack quantity		1 pcs.
Electrical connection		
Connector: 1 x M12; coding: A; Contacts: gold-plated		
		

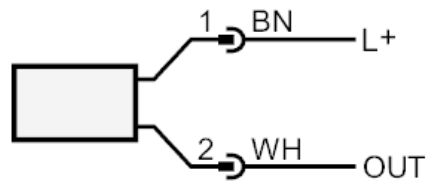
# TA3115



## Temperature transmitter

TA-050CLEM14-A-ZVG/US

### Connection



OUT: analog output  
Colors to DIN EN 60947-5-2