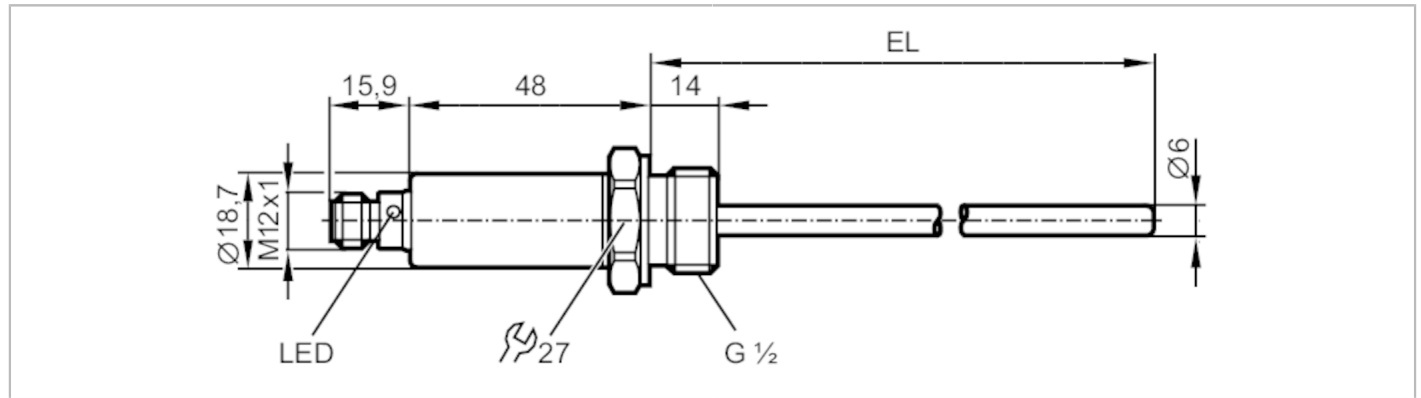


# TA2417



## Temperature transmitter

TA-050CLER12-A-ZVG/US



Product characteristics	
Number of inputs and outputs	Number of analog outputs: 1
Measuring range [°C]	-50...150
Communication interface	IO-Link
Process connection	threaded connection G 1/2 external thread
Installation length EL [mm]	50
Application	
System	gold-plated contacts
Measuring element	1 x Pt 1000; (to DIN EN 60751, class A)
Media	liquids and gases
Pressure rating	300 bar   30 MPa
Note on pressure rating	sensor When mounted in adapters the specifications of the adapter data sheet apply.
Electrical data	
Operating voltage [V]	18...32 DC; (cULus - Class 2 source required)
Current consumption [mA]	< 50
Protection class	III
Reverse polarity protection	yes
Power-on delay time [s]	1
Inputs / outputs	
Number of inputs and outputs	Number of analog outputs: 1
Outputs	
Total number of outputs	1
Output signal	analog signal; IO-Link; (configurable)
Number of analog outputs	1
Analog current output [mA]	4...20
Max. load [Ω]	250; ((18...19 V); 19...32 V: 300 Ω)
Short-circuit protection	yes
Overload protection	yes
Measuring/setting range	
Probe length L [mm]	36

# TA2417



## Temperature transmitter

TA-050CLER12-A-ZVG/US

Measuring range	[°C]	-50...150	
Factory setting		0...100 °C	
<b>Resolution</b>			
Resolution of analog output	[K]	0.04	
<b>Accuracy / deviations</b>			
Precision analog output	[K]	± 0,3 + (± 0,1 % MS)	
Temperature coefficient	[% of the span / 10 K]	0,1; (In case of deviation from the reference condition 25 ± 5 °C)	
<b>Reaction times</b>			
Dynamic response T05 / T09	[s]	1 / 3	
<b>Interfaces</b>			
Communication interface		IO-Link	
Transmission type		COM2 (38,4 kBaud)	
IO-Link revision		1.1	
Profiles		Smart Sensor - SSP 0	Generic Profiled Sensor
		Function	Device identification
		Function	Process data variable
Min. process cycle time	[ms]	2.3	
Supported DeviceIDs		<b>Type of operation</b>	<b>DeviceID</b>
		default	559
<b>Operating conditions</b>			
Ambient temperature	[°C]	-25...80	
Storage temperature	[°C]	-40...100	
Protection		IP 67; IP 68; IP 69K	
<b>Tests / approvals</b>			
EMC		DIN EN 61000-6-2	
Shock resistance		DIN IEC 68-2-27	50 g (11 ms)
Vibration resistance		DIN IEC 68-2-6	20 g (10...2000 Hz)
MTTF	[years]	230	
UL approval		UL approval number	K002
<b>Mechanical data</b>			
Weight	[g]	126.5	
Housing		tubular	
Dimensions	[mm]	Ø 18.7 / L = 113.9	
Material		stainless steel (1.4404 / 316L); PEI; FKM	
Materials (wetted parts)		stainless steel (1.4404 / 316L); O-ring: FKM	
Tightening torque	[Nm]	45	
Process connection		threaded connection G 1/2 external thread	
Probe diameter	[mm]	6	
Installation length EL	[mm]	50	
<b>Displays / operating elements</b>			
Display		operating status	1 x LED, green
<b>Remarks</b>			
Remarks		MS = set measuring span	

# TA2417



## Temperature transmitter

TA-050CLER12-A-ZVG/US

Pack quantity

1 pcs.

### Electrical connection

Connector: 1 x M12; coding: A; Contacts: gold-plated



### Connection

