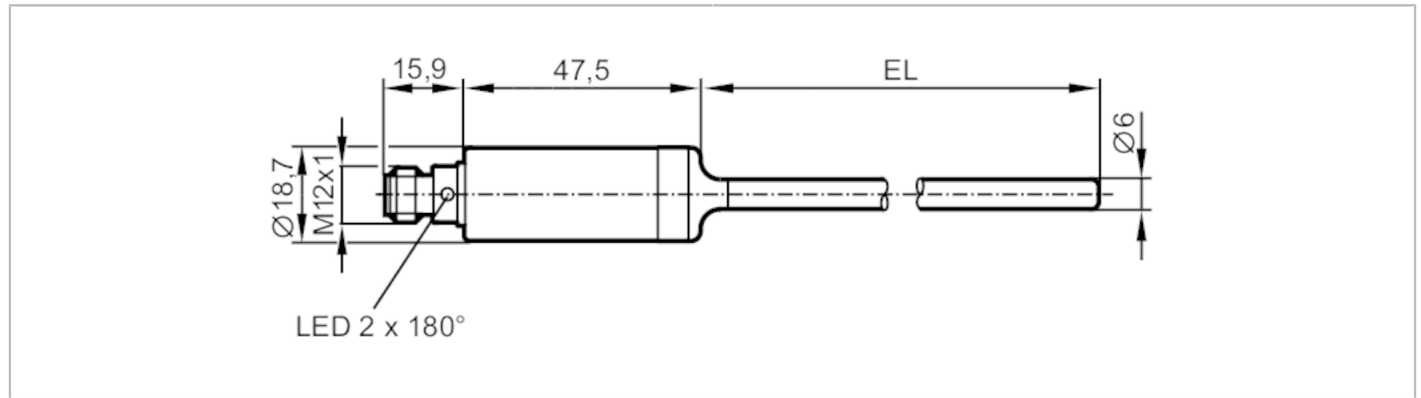


TA2292



Temperature transmitter

TA-350CLE06-- /US



| Product characteristics | |
|------------------------------|---|
| Number of inputs and outputs | Number of analog outputs: 1 |
| Measuring range [°C] | -50...200 |
| Communication interface | IO-Link |
| Process connection | Clamp fitting Ø 6 mm |
| Installation length EL [mm] | 350 |
| Application | |
| Measuring element | 1 x Pt 1000; (to DIN EN 60751, class A) |
| Media | liquids and gases |
| Pressure rating | 160 bar / 16 MPa |
| Vacuum resistance | -1000 mbar / -0.1 MPa |
| Electrical data | |
| Operating voltage [V] | 18...32 DC; (cULus - Class 2 source required) |
| Current consumption [mA] | < 50 |
| Protection class | III |
| Reverse polarity protection | yes |
| Power-on delay time [s] | 2 |
| Inputs / outputs | |
| Number of inputs and outputs | Number of analog outputs: 1 |
| Outputs | |
| Total number of outputs | 1 |
| Output signal | analog signal; IO-Link; (configurable) |
| Number of analog outputs | 1 |
| Analog current output [mA] | 4...20 |
| Max. load [Ω] | 250; ((18...19 V); 19...32 V: 300 Ω) |
| Short-circuit protection | yes |
| Overload protection | yes |
| Measuring/setting range | |
| Probe length L [mm] | 350 |
| Measuring range [°C] | -50...200 |
| Factory setting | 0...200 °C |

TA2292



Temperature transmitter

TA-350CLE06-- /US

| | | |
|--|--------------------------|---|
| Resolution | | |
| Resolution of analog output | [K] | 0.04 |
| Accuracy / deviations | | |
| Precision analog output | [K] | $\pm 0,3 + (\pm 0,1 \% \text{ MS})$ |
| Temperature coefficient [% of the span / 10 K] | | 0,1; (In case of deviation from the reference condition $25 \pm 5 \text{ }^\circ\text{C}$) |
| Reaction times | | |
| Dynamic response T05 / T09 | [s] | < 0,5 / < 2 |
| Interfaces | | |
| Communication interface | | IO-Link |
| Transmission type | | COM2 (38,4 kBaud) |
| IO-Link revision | | 1.1 |
| Profiles | Smart Sensor - SSP 0 | Generic Profiled Sensor |
| | Function | Device identification |
| | Function | Process data variable |
| Min. process cycle time | [ms] | 2.3 |
| Supported DeviceIDs | Type of operation | DeviceID |
| | default | 446 |
| Operating conditions | | |
| Ambient temperature | [°C] | -25...80 |
| Note on ambient temperature | | at medium temperature: < 160 °C -25...60 °C at medium temperature: < 200 °C |
| Storage temperature | [°C] | -40...100 |
| Protection | | IP 67; IP 68; IP 69K |
| Tests / approvals | | |
| EMC | DIN EN 61000-6-2 | |
| | DIN EN 61000-6-3 | |
| Shock resistance | DIN IEC 68-2-27 | 50 g (11 ms) |
| Vibration resistance | DIN IEC 68-2-6 | 10 g (10...2000 Hz) |
| MTTF | [years] | 334 |
| Note on approval | | Factory certificate available as download at www.factory-certificate.ifm |
| UL approval | UL approval number | K002 |
| Mechanical data | | |
| Weight | [g] | 213.7 |
| Housing | | tubular |
| Dimensions | [mm] | $\varnothing 18.7 / L = 413.4$ |
| Material | | stainless steel (1.4404 / 316L); PEI; FKM |
| Materials (wetted parts) | | stainless steel (1.4404 / 316L) |
| Process connection | | Clamp fitting $\varnothing 6 \text{ mm}$ |
| Surface characteristics Ra/Rz of the wetted parts | | $Ra < 0.6 \text{ } \mu\text{m}$ |
| Probe diameter | [mm] | 6 |
| Installation length EL | [mm] | 350 |

TA2292



Temperature transmitter

TA-350CLE06-- /US

Remarks

| | |
|---------------|-------------------------|
| Remarks | MS = set measuring span |
| Pack quantity | 1 pcs. |

Electrical connection

Connector: 1 x M12; coding: A



Connection

