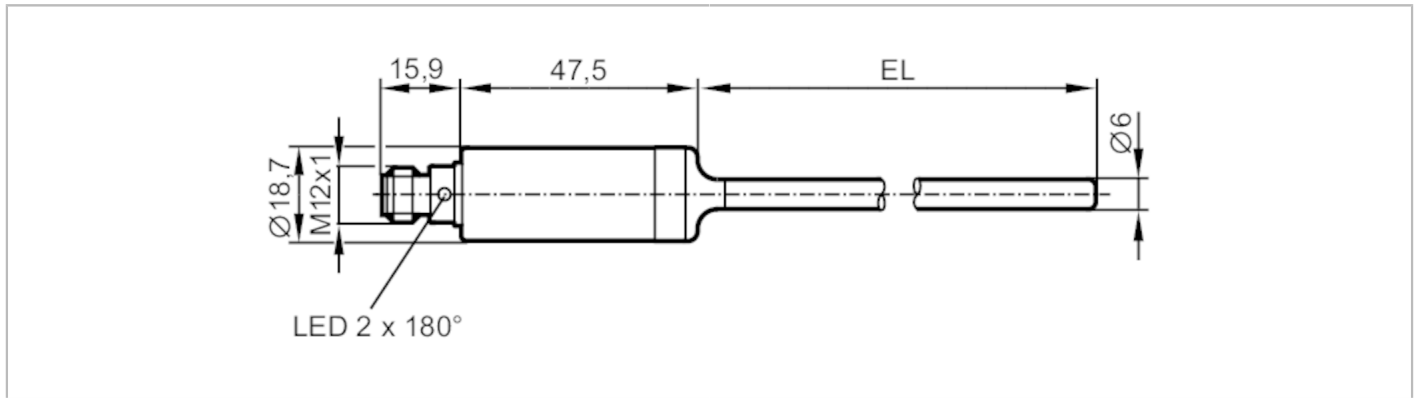


# TA2262



## Temperature transmitter

TA-250CLE06-- /US



### Product characteristics

Number of inputs and outputs	Number of analog outputs: 1
Measuring range [°C]	-50...200
Communication interface	IO-Link
Process connection	Clamp fitting Ø 6 mm
Installation length EL [mm]	250

### Application

Measuring element	1 x Pt 1000; (to DIN EN 60751, class A)	
Media	liquids and gases	
Pressure rating	160 bar	16 MPa
Vacuum resistance	-1000 mbar	-0.1 MPa

### Electrical data

Operating voltage [V]	18...32 DC; (cULus - Class 2 source required)	
Current consumption [mA]	< 50	
Protection class	III	
Reverse polarity protection	yes	
Power-on delay time [s]	2	

### Inputs / outputs

Number of inputs and outputs	Number of analog outputs: 1
------------------------------	-----------------------------

### Outputs

Total number of outputs	1
Output signal	analog signal; IO-Link; (configurable)
Number of analog outputs	1
Analog current output [mA]	4...20
Max. load [Ω]	250; ((18...19 V); 19...32 V: 300 Ω)
Short-circuit protection	yes
Overload protection	yes

### Measuring/setting range

Probe length L [mm]	250
Measuring range [°C]	-50...200
Factory setting	0...200 °C

# TA2262



## Temperature transmitter

TA-250CLE06-- /US

<b>Resolution</b>		
Resolution of analog output	[K]	0.04
<b>Accuracy / deviations</b>		
Precision analog output	[K]	$\pm 0,3 + (\pm 0,1 \% \text{ MS})$
Temperature coefficient	[% of the span / 10 K]	0,1; (In case of deviation from the reference condition $25 \pm 5 \text{ }^\circ\text{C}$ )
<b>Reaction times</b>		
Dynamic response T05 / T09	[s]	< 0,5 / < 2
<b>Interfaces</b>		
Communication interface		IO-Link
Transmission type		COM2 (38,4 kBaud)
IO-Link revision		1.1
Profiles	Smart Sensor - SSP 0	Generic Profiled Sensor
	Function	Device identification
	Function	Process data variable
Min. process cycle time	[ms]	2.3
Supported DeviceIDs	<b>Type of operation</b>	<b>DeviceID</b>
	default	446
<b>Operating conditions</b>		
Ambient temperature	[°C]	-25...80
Note on ambient temperature		at medium temperature: < 160 °C
		-25...60 °C
		at medium temperature: < 200 °C
Storage temperature	[°C]	-40...100
Protection		IP 67; IP 68; IP 69K
<b>Tests / approvals</b>		
EMC	DIN EN 61000-6-2	
	DIN EN 61000-6-3	
Shock resistance	DIN IEC 68-2-27	50 g (11 ms)
Vibration resistance	DIN IEC 68-2-6	10 g (10...2000 Hz)
MTTF	[years]	334
Note on approval		Factory certificate available as download at <a href="http://www.factory-certificate.ifm">www.factory-certificate.ifm</a>
UL approval	UL approval number	K002
<b>Mechanical data</b>		
Weight	[g]	174
Housing		tubular
Dimensions	[mm]	$\varnothing 18.7 / L = 313.4$
Material		stainless steel (1.4404 / 316L); PEI; FKM
Materials (wetted parts)		stainless steel (1.4404 / 316L)
Process connection		Clamp fitting $\varnothing 6 \text{ mm}$
Surface characteristics Ra/Rz of the wetted parts		$Ra < 0.6 \text{ } \mu\text{m}$
Probe diameter	[mm]	6
Installation length EL	[mm]	250

# TA2262



## Temperature transmitter

TA-250CLE06-- /US

### Remarks

Remarks	MS = set measuring span
Pack quantity	1 pcs.

### Electrical connection

Connector: 1 x M12; coding: A



### Connection

