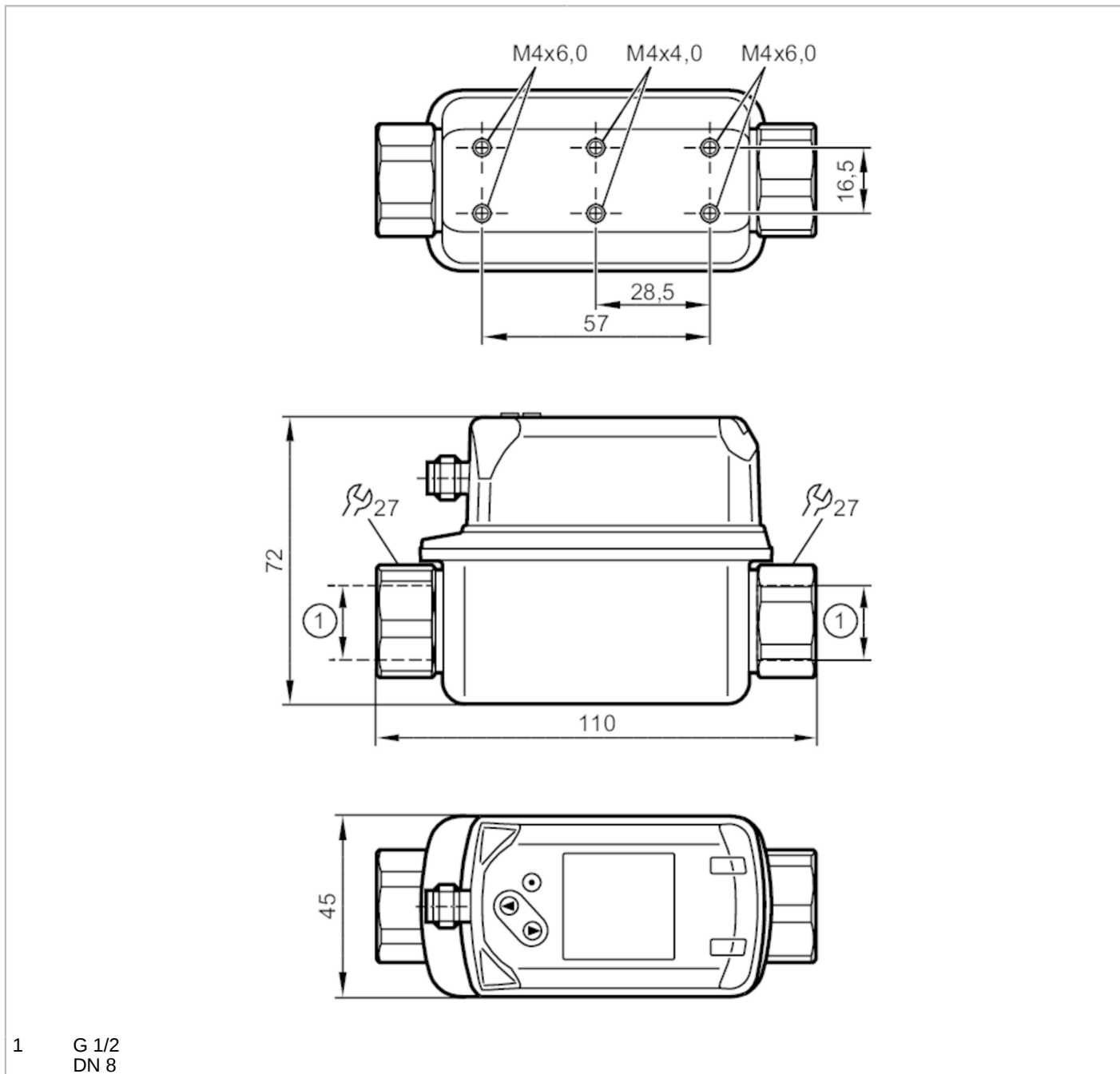


SV4204



SV vortex flowmeters with display for water based media

SVR12XXX50KG/US-100



1 G 1/2
DN 8



Product characteristics

| | | |
|------------------------------|---|-----------------|
| Number of inputs and outputs | Number of analog outputs: 2 | |
| Measuring range | 1...20 l/min | 0.06...1.2 m³/h |
| Process connection | threaded connection G 1/2 Internal thread DN8 | |

Application

| | |
|-------------------------|-----------------------------------|
| System | gold-plated contacts |
| Application | for industrial applications |
| Media | water; glycol solutions; Coolants |
| Medium temperature [°C] | -10...90 |

SV4204



SV vortex flowmeters with display for water based media

SVR12XXX50KG/US-100

| | | |
|--|-----------------------------|-----------------|
| Pressure rating | 12 bar | 1.2 MPa |
| Note on pressure rating | up to 40 °C | |
| MAWP (for applications according to CRN) [bar] | 3.9 | |
| Electrical data | | |
| Operating voltage [V] | 18...30 DC | |
| Current consumption [mA] | < 30 | |
| Min. insulation resistance [MΩ] | 100; (500 V DC) | |
| Protection class | III | |
| Reverse polarity protection | yes | |
| Power-on delay time [s] | < 3 | |
| Measuring principle | Vortex | |
| Inputs / outputs | | |
| Number of inputs and outputs | Number of analog outputs: 2 | |
| Outputs | | |
| Total number of outputs | 2 | |
| Output signal | analog signal | |
| Number of analog outputs | 2 | |
| Analog current output [mA] | 4...20 | |
| Max. load [Ω] | 500 | |
| Short-circuit protection | yes | |
| Overload protection | yes | |
| Measuring/setting range | | |
| Measuring range | 1...20 l/min | 0.06...1.2 m³/h |
| Display range | 0...24 l/min | 0...1.44 m³/h |
| Resolution | 0.1 l/min | 0.005 m³/h |
| Analog start point ASP | 0...16 l/min | 0...0.96 m³/h |
| Analog end point AEP | 4...20 l/min | 0.24...1.2 m³/h |
| In steps of | 0.1 l/min | 0.005 m³/h |
| Measuring dynamics | 1:20 | |
| Temperature monitoring | | |
| Measuring range [°C] | -10...90 | |
| Display range [°C] | -30...110 | |
| Resolution [°C] | 0.5 | |
| Analog start point [°C] | -10...70 | |
| Analog end point [°C] | 10...90 | |
| In steps of [°C] | 0.5 | |
| Accuracy / deviations | | |
| Flow monitoring | | |
| Accuracy (in the measuring range) | ± 2 % MEW; (water) | |
| Repeatability | ± 0,5 % MEW | |
| Temperature monitoring | | |
| Accuracy [K] | ± 1 | |

SV4204



SV vortex flowmeters with display for water based media

SVR12XXX50KG/US-100

| Reaction times | | |
|-------------------------------|---------|--|
| Flow monitoring | | |
| Response time | [s] | 1; (dAP = 0) |
| Damping process value dAP | [s] | 0...5 |
| Temperature monitoring | | |
| Dynamic response T05 / T09 | [s] | T09 = 6 |
| Software / programming | | |
| Parameter setting options | | Damping for the analog output dAA; Display unit |
| Operating conditions | | |
| Ambient temperature | [°C] | 0...60 |
| Note on ambient temperature | | medium temperature < 80 °C medium temperature < 90 °C: 0...50 °C |
| Storage temperature | [°C] | -20...80 |
| Protection | | IP 65; IP 67 |
| Tests / approvals | | |
| EMC | | DIN EN 61000-6-2 DIN EN 61000-6-3 |
| CPA approval | | model number 001VO accuracy class - maximum allowable error ± 2 % FS Q (min) 0,09 m³/h Q (t) 0,24 m³/h Q (max) 1,2 m³/h |
| Shock resistance | | DIN EN 60068-2-27 5 g (11 ms) |
| Vibration resistance | | DIN EN 60068-2-6 with water / 10...50 Hz 1 mm with water / 50...2000 Hz 2 g |
| MTTF | [years] | 342 |
| UL approval | | UL approval number I002 |
| Pressure equipment directive | | sound engineering practice; can be used for group 2 fluids; group 1 fluids on request |
| Mechanical data | | |
| Weight | [g] | 439.5 |
| Housing | | rectangular |
| Dimensions | [mm] | 110 x 45 x 72 |
| Material | | stainless steel (1.4404 / 316L); PC; PBT+PC-GF30; PPS; TPE-U |
| Materials (wetted parts) | | stainless steel (1.4404 / 316L); ETFE; PA 6T; PPS; FKM |
| Tightening torque | [Nm] | 30 |
| Process connection | | threaded connection G 1/2 Internal thread DN8 |
| Displays / operating elements | | |
| Display | | Color display 1,44", 128 x 128 pixels 2 x LED, yellow |
| Remarks | | |
| Remarks | | MW = Measured value MEW = Final value of the measuring range |
| Pack quantity | | 1 pcs. |

SV4204



SV vortex flowmeters with display for water based media

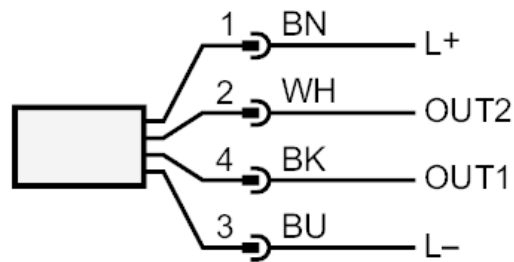
SVR12XXX50KG/US-100

Electrical connection

Connector: 1 x M12; coding: A; Contacts: gold-plated



Connection



OUT1: analog output Temperature monitoring
OUT2: analog output Volumetric flow quantity monitoring
Colors to DIN EN 60947-5-2

Core colors :

BK = black
BN = brown
BU = blue
WH = white

SV4204

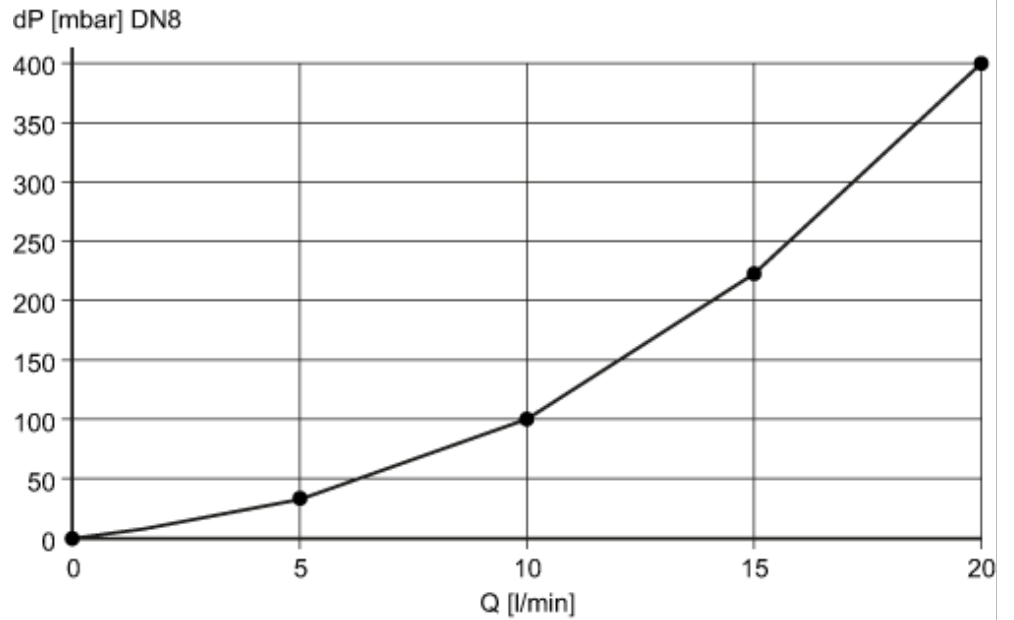


SV vortex flowmeters with display for water based media

SVR12XXX50KG/US-100

Diagrams and graphs

Pressure loss



dP Pressure loss

Q volumetric flow quantity

pressure rating (bar)

