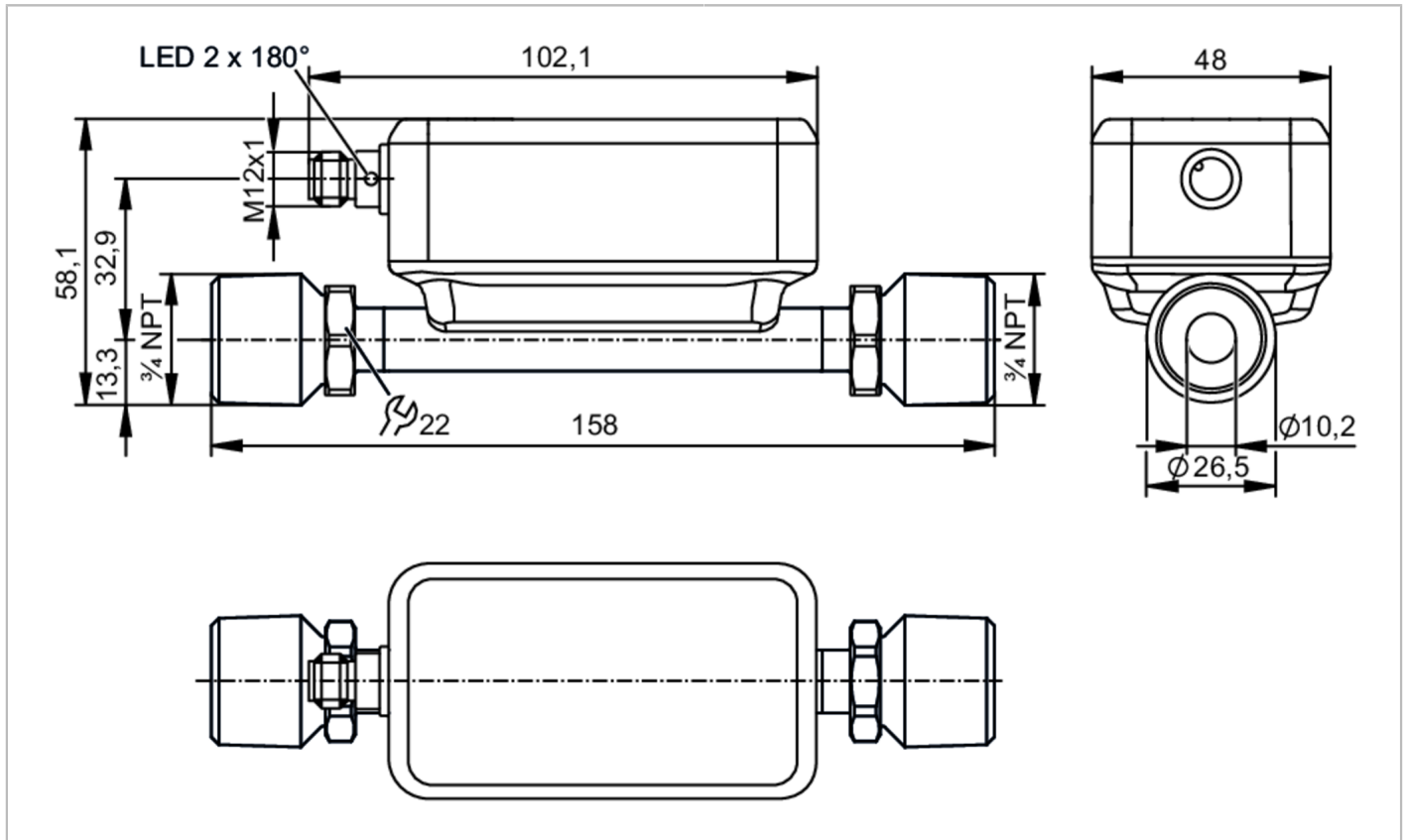


SU7651



Ultrasonic flow meter

SUN34XJBFKRG/US



ACS KTW/W270 Reg31

Product characteristics	
Number of inputs and outputs	Number of digital outputs: 2; Number of analog outputs: 1
Measuring range	0.5...75 l/min 0.03...4.5 m³/h 8...1189 gph 0.13...19.81 gpm
Nominal diameter	DN20 (3/4")
Process connection	threaded connection 3/4" NPT external thread DN20
Application	
System	gold-plated contacts
Application	use in mobile and industrial applications
Media	ultra-pure water; water; water-based media; glycol solutions; oils (of high and low viscosity); Coolants
Note on media	water-based media: for media with >10 % additives, the repeatability is the only available value low-viscosity oils with viscosity: 7...40 mm²/s (40 °C) high-viscosity oils with viscosity: 30...68 mm²/s (40 °C)
Medium temperature	-40...120 °C -40...248 °F
Min. burst pressure	150 bar 15 MPa
Pressure rating	100 bar 10 MPa
Vacuum resistance [mbar]	-1000
Electrical data	
Operating voltage [V]	8...32 DC; (to SELV/PELV)
Current consumption [mA]	< 175
Protection class	III

SU7651



Ultrasonic flow meter

SUN34XJBFRKG/US

Reverse polarity protection	yes
Power-on delay time [s]	5
Measuring principle	ultrasonic

Inputs / outputs

Total number of inputs and outputs	2
Number of inputs and outputs	Number of digital outputs: 2; Number of analog outputs: 1

Inputs

Inputs	OUT2	counter reset
--------	------	---------------

Outputs

Total number of outputs	2
Output signal	OUT1 switching signal; pulse signal; diagnostic signal; totalizer switching signal; frequency signal; IO-Link
	OUT2 switching signal; pulse signal; diagnostic signal; totalizer switching signal; analog signal
Electrical design	PNP/NPN
Number of digital outputs	2
Output function	normally open / closed; (configurable)
Max. voltage drop switching output DC [V]	2
Permanent current rating of switching output DC [mA]	100
Switching frequency DC [Hz]	0...10000
Number of analog outputs	1
Analog current output [mA]	4...20; (scalable)
Max. load [Ω]	500
Analog voltage output [V]	0...10 / 0.5...4.5; (scalable)
Min. load resistance [Ω]	2000
Pulse output	flow rate meter
Short-circuit protection	yes
Type of short-circuit protection	yes (non-latching)
Overload protection	yes

Measuring/setting range

Measuring range	0.5...75 l/min	0.03...4.5 m ³ /h	8...1189 gph	0.13...19.81 gpm
Resolution	0.1 l/min	0.002 m ³ /h	1 gph	0.01 gpm
Note on factory setting	gpm			
	°F			
Set point SP	0.9...75 l/min	0.055...4.5 m ³ /h	15...1189 gph	0.24...19.81 gpm
Reset point rP	0.5...74.6 l/min	0.032...4.477 m ³ /h	9...1183 gph	0.14...19.71 gpm
Analog start point ASP	-75...60 l/min	-4.5...3.6 m ³ /h	-1189...951 gph	-19.81...15.85 gpm
Analog end point AEP	-60...75 l/min	-3.6...4.5 m ³ /h	-951...1189 gph	-15.78...19.81 gpm
Low flow cut-off LFC	0.5...3.2 l/min	0.03...0.195 m ³ /h	8...52 gph	0.13...0.86 gpm
Frequency end point, FEP	15...75 l/min	0.903...4.5 m ³ /h	238...1189 gph	3.97...19.81 gpm
Frequency at the end point FRP [Hz]	1...10000			

SU7651



Ultrasonic flow meter

SUN34XJBFRKG/US

Volumetric flow quantity monitoring		
Pulse length [s]	0.002...2	
Pulse value	0.1...99990000 l; 0.03...26414563.515 gal	
Temperature monitoring		
Measuring range	-40...120 °C	-40...248 °F
Resolution	0.1 °C	0.1 °F
Set point SP	-40...119.4 °C	-40...247 °F
Reset point rP	-40...88 °C	-40...190.4 °F
Analog start point	-8...120 °C	17.6...248 °F
Analog end point	-40...88 °C	-40...190.4 °F
Frequency start point, FSP	-8...120 °C	17.6...248 °F
Frequency end point, FEP	-40...119.4 °C	-40...247 °F
Frequency at the end point FRP [Hz]	1...10000	
Accuracy / deviations		
Flow monitoring		
Accuracy (in the measuring range)	only up to 100 °C; at higher temperatures, only the repeatability is within the specification.	
Accuracy (in the measuring range)	glycol solutions (35%)	±(5,0 % MW + 0,5 % MEW)
	high-viscosity oils with viscosity 46mm ² /s (40°C)	±(5,0 % MW + 1,0 % MEW)
	low-viscosity oils with viscosity 10mm ² /s (40°C)	±(5,0 % MW + 1,0 % MEW)
	water	± (2,0 % MW + 0,5 % MEW)
Repeatability	± 0,2 % MEW	
Temperature monitoring		
Accuracy [K]	± 2,5 (Q > 5 % MEW)	
Temperature coefficient [% of the span / 10 K]	0,2	
Reaction times		
Flow monitoring		
Response time [s]	< 0.25; (dAP = 0, T09)	
Damping process value dAP [s]	0...5	
Temperature monitoring		
Dynamic response T05 / T09 [s]	5,7 / 86	
Software / programming		
Diagnostic functions	direction of flow detection; signal quality	
Interfaces		
Communication interface	IO-Link	
Transmission type	COM2 (38,4 kBaud)	
IO-Link revision	1.1.3	
SDCI standard	IEC 61131-9: 2013-07	
Profiles	BLOB	Binary Large Object transfer
	Common - I&D	Identification and Diagnosis
Required master port class	A	
Process data analog	3	

SU7651



Ultrasonic flow meter

SUN34XJBFKRG/US

Process data binary		2
Min. process cycle time [ms]		9.6
IO-Link process data (cyclical)	Function	bit length
	totalizer	32
	Flow monitoring	32
	Temperature monitoring	32
	status	4
	Output 1	1
	Output 2	1
Supported DeviceIDs	Type of operation	DeviceID
	default	1836

Operating conditions

Ambient temperature [°C]	-25...60
Storage temperature [°C]	-40...80
Protection	IP 67; IP 69K

Tests / approvals

EMC	DIN 61326-1:2021	
Shock resistance	DIN IEC 68-2-27	20 g (11ms)
Vibration resistance	DIN IEC 68-2-6	20 g (10...2000Hz)
MTTF [years]		136
UL approval	UL approval number	I037
	File number UL	E174189
Pressure equipment directive	can be used for group 2 fluids; group 1 fluids on request	

Mechanical data

Weight [g]	599.9
Housing	rectangular
Inlet pipe length	5 x DN
Outlet pipe length	1 x DN
Dimensions [mm]	158 x 48 x 58.1
Material	housing: stainless steel (1.4404 / 316L); connector: PEI, FKM
Materials (wetted parts)	Pipe section: stainless steel (1.4404 / 316L)
Nominal diameter	DN20 (3/4")
Process connection	threaded connection 3/4" NPT external thread DN20
Surface characteristics Ra/Rz of the wetted parts	49.21 µin

Displays / operating elements

Display	operating status	1 x LED, green
---------	------------------	----------------

Accessories

Items supplied	package insert
----------------	----------------

Remarks

Remarks	MW = Measured value
	MEW = Final value of the measuring range
	pulse and totalizer signal are only available for one of the two outputs
	the accuracy indications are adhered to over the entire application area
Pack quantity	1 pcs.

SU7651



Ultrasonic flow meter

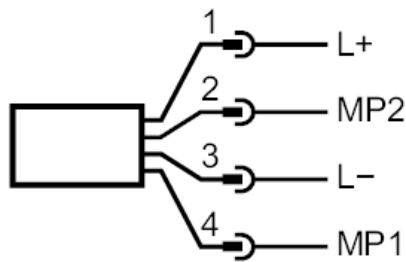
SUN34XJBFRKG/US

Electrical connection

Connector: 1 x M12; coding: A; Contacts: gold-plated



Connection



1 (L+)	L+	
2 (OUT2)	MP2	DO, AO, Reset
3 (L-)	L-	
4 (OUT1)	MP1	DO, IO-Link

Electrical connection - plug

Diagrams and graphs

Note on pressure loss

