

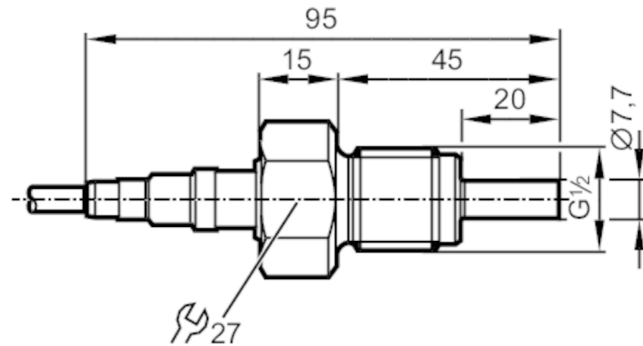
SP321A



Flow sensor for connection to an evaluation unit

SPR12ABB/2G/6M

Article to be discontinued
Discontinuation date: 03/31/2026



Product characteristics

Process connection threaded connection G 1/2 external thread

Application

Media	Liquids; Gases
Medium temperature [°C]	-20...70
Pressure rating	30 bar 3 MPa

Liquids

Medium temperature [°C]	-20...70
-------------------------	----------

Gases

Medium temperature [°C]	-20...70
-------------------------	----------

Electrical data

Connection to control monitor	VS4000
-------------------------------	--------

Measuring/setting range

Liquids

Setting range [cm/s]	3...300
Greatest sensitivity [cm/s]	3...100

Gases

Setting range [cm/s]	100...15000
Greatest sensitivity [cm/s]	100...7500

Accuracy / deviations

Max. temperature gradient of [K/min] medium	30
---	----

Reaction times

Response time [s]	1...10
-------------------	--------

Liquids

Response time [s]	1...10
-------------------	--------

Gases


Response time [s]	1...10
-------------------	--------

SP321A



Flow sensor for connection to an evaluation unit

SPR12ABB/2G/6M

Operating conditions	
Ambient temperature [°C]	-20...70
Protection	IP 65; IP 67
Tests / approvals	
Approval	CSANe 21ATEX2239; IECEx CSA 21.0045
ATEX marking	 II 2G Ex ia IIC T4 Gb
Shock resistance	DIN IEC 68-2-27 40 g (11 ms)
Vibration resistance	DIN IEC 68-2-6 10 g (55...2000 Hz)
MTTF [years]	8519
Mechanical data	
Weight [g]	367.5
Housing	tubular
Material	stainless steel (1.4404 / 316L)
Materials (wetted parts)	stainless steel (1.4404 / 316L)
Process connection	threaded connection G 1/2 external thread
Remarks	
Remarks	In principle, the type test according to 2014/34/EU (ATEX) only takes atmospheric conditions into account (0.8...1.1 bar). For pressures outside this range use must be assessed and approved by the user. Adhere to the operating instructions and the type test certificate.
Pack quantity	1 pcs.

SP321A



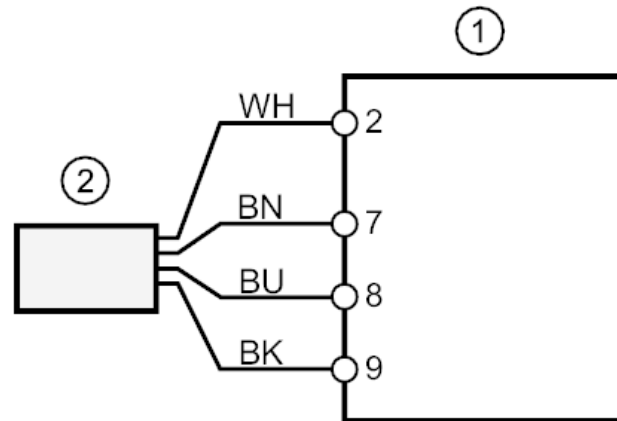
Flow sensor for connection to an evaluation unit

SPR12ABB/2G/6M

Electrical connection

Cable: 6 m, TPE-S; Maximum cable length: 100 m; (4 x 0.5 mm²); 4 x 0.34 mm²

Connection



1 SR307A / VS4000

2 SP321A

Core colors :

BK = black
BN = brown
BU = blue
WH = white