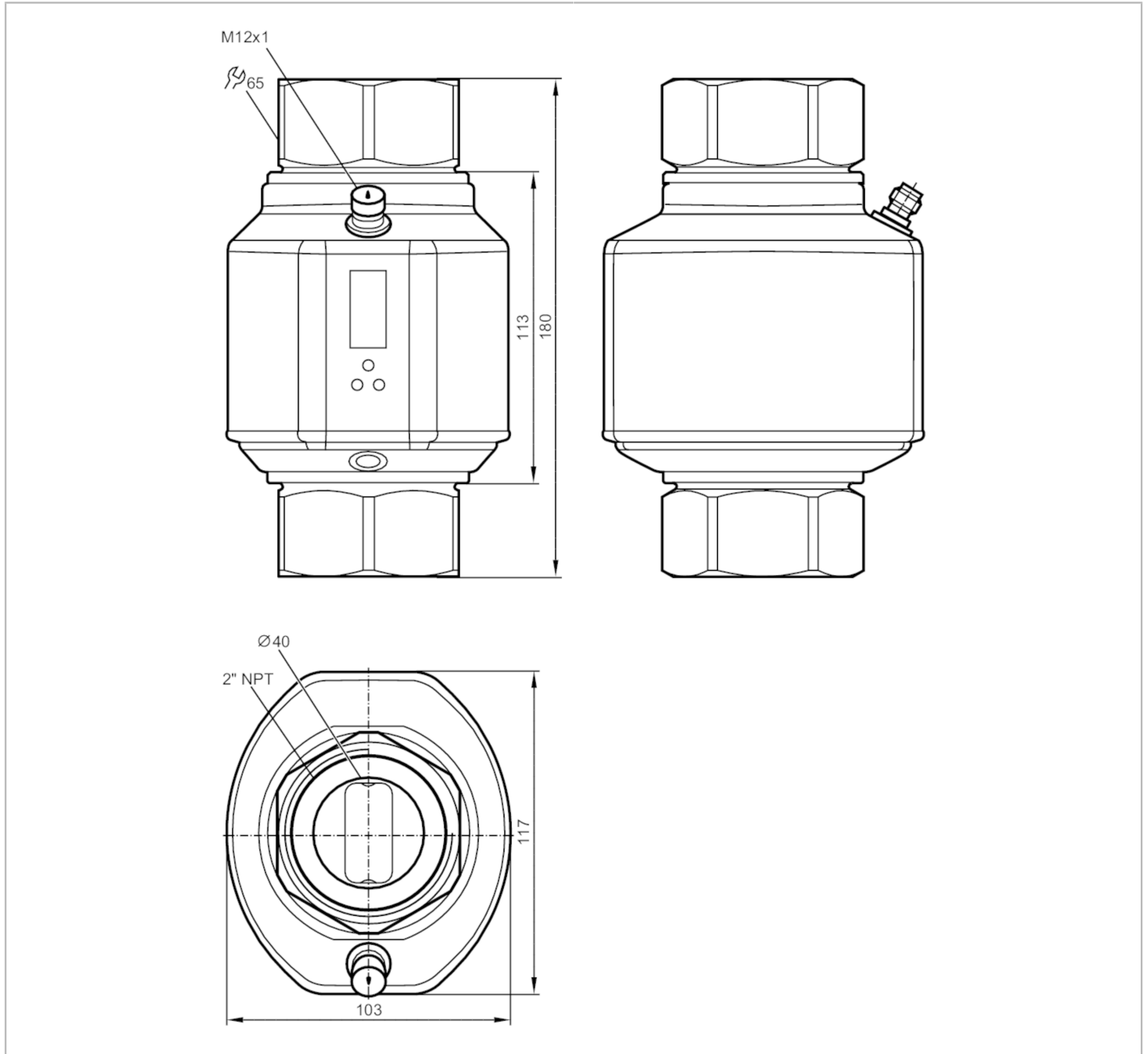


SM2601



Magnetic-inductive flow meter

SMN21XGXFRKG/US-100



Product characteristics	
Number of inputs and outputs	Number of digital outputs: 2; Number of analog outputs: 1
Measuring range	80...9600 gph 1.3...160 gpm
Process connection	threaded connection 2" NPT Internal thread DN50
Application	
System	gold-plated contacts
Application	Totalizer function; empty pipe detection; for industrial applications
Media	Conductive liquids; water; water-based media
Note on media	conductivity: $\geq 20 \mu\text{S/cm}$ viscosity: $< 70 \text{ mm}^2/\text{s}$ (40 °C)

SM2601



Magnetic-inductive flow meter

SMN21XGXFRKG/US-100

Medium temperature	[°F]	14...194		
Pressure rating		16 bar	232 psi	1.6 MPa
MAWP (for applications according to CRN)		8.9 bar	0.89 MPa	

Electrical data		
Operating voltage	[V]	18...32 DC; (to SELV/PELV)
Current consumption	[mA]	< 150
Protection class		III
Reverse polarity protection		yes
Power-on delay time	[s]	5
Measuring principle		magnetic-inductive

Inputs / outputs	
Number of inputs and outputs	Number of digital outputs: 2; Number of analog outputs: 1

Inputs	
Inputs	counter reset

Outputs		
Total number of outputs	2	
Output signal	switching signal; analog signal; pulse signal; frequency signal; IO-Link; (configurable)	
Electrical design	PNP/NPN	
Number of digital outputs	2	
Output function	normally open / closed; (configurable)	
Max. voltage drop switching output DC	[V]	2
Permanent current rating of switching output DC	[mA]	250; (per output)
Number of analog outputs	1	
Analog current output	[mA]	4...20; (scalable)
Max. load	[Ω]	500
Analog voltage output	[V]	0...10; (scalable)
Min. load resistance	[Ω]	2000
Pulse output		flow rate meter
Short-circuit protection		yes
Type of short-circuit protection		yes (non-latching)
Overload protection		yes
Frequency of the output	[Hz]	0.1...10000

Measuring/setting range		
Measuring range	80...9600 gph	1.3...160 gpm
Display range	-11520...11520 gph	-190...190 gpm
Resolution	5 gph	0.1 gpm
Set point SP	130...9600 gph	2.1...160 gpm
Reset point rP	80...9550 gph	1.3...159.2 gpm
Analog start point ASP	0...7680 gph	0...128 gpm
Analog end point AEP	1920...9600 gph	32...160 gpm
Low flow cut-off LFC	< 240 gph	< 4 gpm
In steps of	5 gph	0.1 gpm

SM2601



Magnetic-inductive flow meter

SMN21XGXFRKG/US-100

Measuring dynamics	1:120	
Volumetric flow quantity monitoring		
Pulse value	0.02...160 E06 gal	
In steps of	0.02 gal	
Pulse length [s]	0,008...2	
Temperature monitoring		
Measuring range [°F]	-4...176	
Display range [°F]	-40...212	
Resolution [°F]	0.5	
Set point SP [°F]	-2...176	
Reset point rP [°F]	-3...175	
Analog start point [°F]	-4...140	
Analog end point [°F]	32...176	
In steps of [°F]	0.5	
Accuracy / deviations		
Flow monitoring		
Accuracy (in the measuring range)	± (0,8 % MW + 0,5 % MEW)	
Repeatability	± 0,2% MEW	
Temperature monitoring		
Temperature drift	± 0,0185 °F / K	
Accuracy [K]	± 1 (77 °F; Q > 4 gpm)	
Reaction times		
Flow monitoring		
Response time [s]	0.35; (dAP = 0)	
Delay time programmable dS, dr [s]	0...50	
Damping process value dAP [s]	0...5	
Temperature monitoring		
Dynamic response T05 / T09 [s]	T09 = 3 (Q > 4 gpm)	
Software / programming		
Parameter setting options	Flow monitoring; quantity meter; Preset counter; Temperature monitoring; hysteresis / window; normally open / closed; switching logic; current/voltage/frequency/pulse output; Start-up delay; display can be deactivated; Display unit; empty pipe detection	
Interfaces		
Communication interface	IO-Link	
Transmission type	COM2 (38,4 kBaud)	
IO-Link revision	1.1	
SDCI standard	IEC 61131-9 CDV	
Profiles	Smart Sensor - SSP 0	Generic Profiled Sensor
	Function	Device identification
	Function	Process data variable
SIO mode	yes	
Required master port class	A	

SM2601



Magnetic-inductive flow meter

SMN21XGXFRKG/US-100

Process data analog		3
Process data binary		2
Min. process cycle time [ms]		5
Supported DeviceIDs	Type of operation	DeviceID
	default	390

Operating conditions		
Ambient temperature [°F]		14...140
Storage temperature [°F]		-13...176
Protection		IP 65; IP 67

Tests / approvals		
EMC	DIN EN 60947-5-9	
Shock resistance	DIN EN 60068-2-27	20 g (11 ms)
Vibration resistance	DIN EN 60068-2-6	5 g (10...2000 Hz)
MTTF [years]		85
UL approval	UL approval number	I008
	File number UL	E174189
Pressure equipment directive	sound engineering practice; can be used for group 2 fluids; group 1 fluids on request	

Mechanical data		
Weight [g]		2643
Housing		rectangular
Inlet pipe length		3 x DN
Outlet pipe length		1 x DN
Dimensions [mm]		180 x 103 x 117
Material	stainless steel (1.4404 / 316L); stainless steel (1.4571/316Ti); PEI; FKM; PBT-GF20; TPE-U	
Materials (wetted parts)	stainless steel (1.4404 / 316L); stainless steel (1.4571/316Ti); PEEK; FKM	
Process connection	threaded connection 2" NPT Internal thread DN50	

Displays / operating elements		
Display	Display unit	6 x LED, green (gpm, gph, gal, °F, 10 ³ , 1000 x 10 ³)
	Switching status	2 x LED, yellow
	Measured values	alphanumeric display, 4-digit
	Programming	alphanumeric display, 4-digit

Accessories	
Items supplied	Label

Remarks	
Remarks	MW = Measured value MEW = Final value of the measuring range
Pack quantity	1 pcs.

SM2601



Magnetic-inductive flow meter

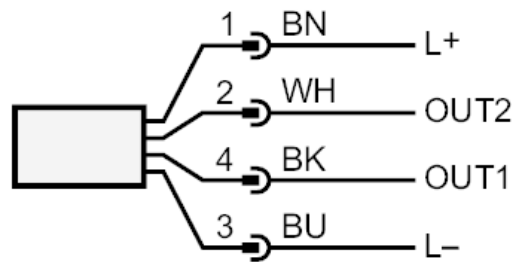
SMN21XGXFRKG/US-100

Electrical connection

Connector: 1 x M12; coding: A; Contacts: gold-plated



Connection



OUT1:	Colors to DIN EN 60947-5-2 Switching output empty pipe detection Switching output Volumetric flow quantity monitoring Frequency output Volumetric flow quantity monitoring Pulse output quantity meter signal output Preset counter IO-Link
OUT2:	Switching output empty pipe detection Switching output Volumetric flow quantity monitoring Switching output Temperature monitoring analog output Volumetric flow quantity monitoring analog output Temperature monitoring Input counter reset Core colors :
BK =	black
BN =	brown
BU =	blue
WH =	white

SM2601

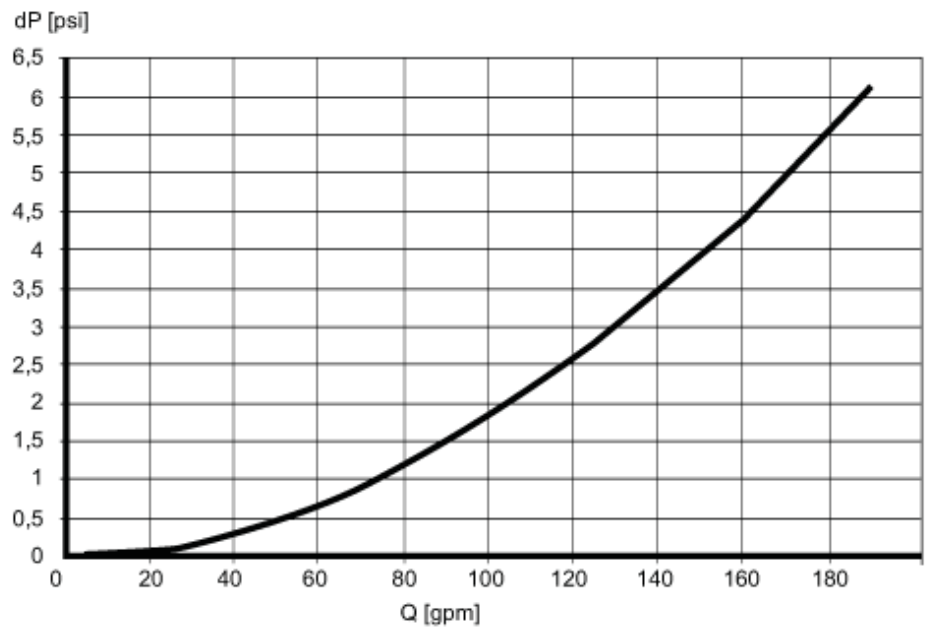


Magnetic-inductive flow meter

SMN21XGXFRKG/US-100

Diagrams and graphs

Pressure loss



dP Pressure loss

Q volumetric flow quantity