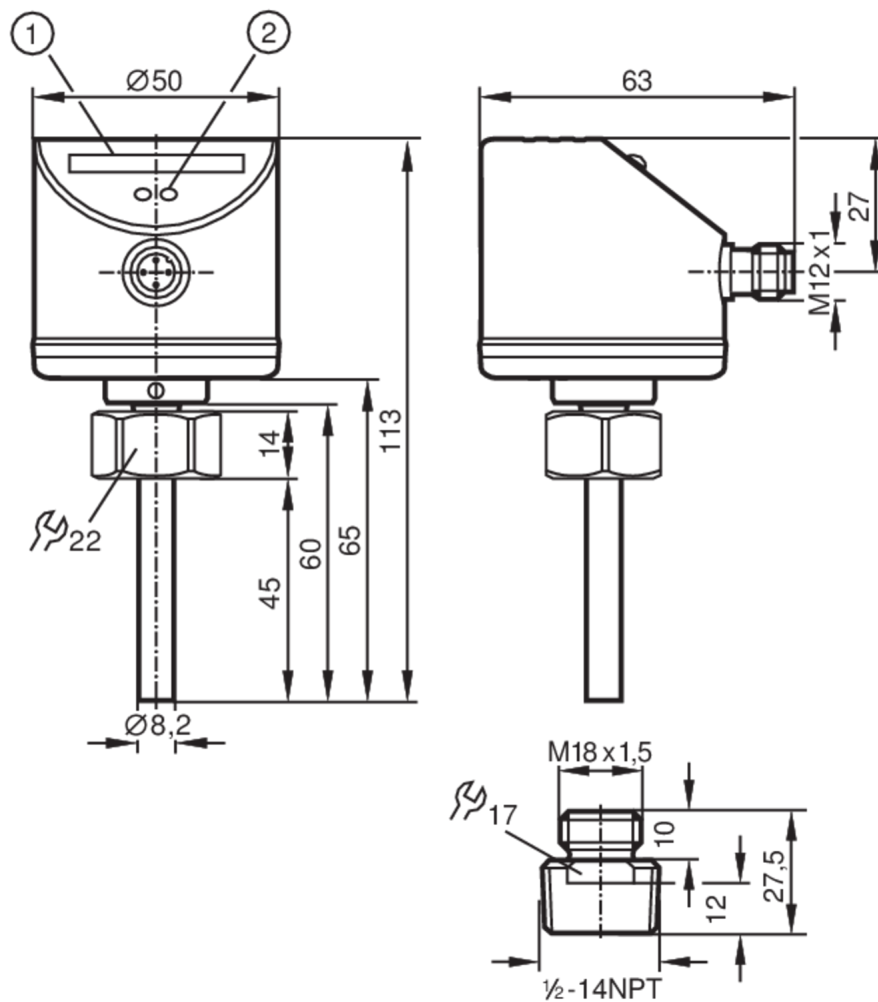


# SI8503



## Flow monitor

KIT, SI5010 W/E40107



- 1 LED display
- 2 setting pushbutton



### Product characteristics

Number of inputs and outputs	Number of digital outputs: 1
Process connection	threaded connection 1/2" NPT external thread

### Application

Media	Liquids; Gases
Medium temperature [°C]	-25...80
<b>Liquids</b>	
Medium temperature [°C]	-25...80
<b>Gases</b>	
Medium temperature [°C]	-25...80

### Electrical data

Operating voltage [V]	19...36 DC
-----------------------	------------

# SI8503



## Flow monitor

KIT, SI5010 W/E40107

Current consumption	[mA]	< 60
Protection class		III
Reverse polarity protection		yes
Power-on delay time	[s]	10

### Inputs / outputs

Number of inputs and outputs	Number of digital outputs: 1
------------------------------	------------------------------

### Outputs

Total number of outputs	1
Output signal	switching signal
Electrical design	PNP
Number of digital outputs	1
Output function	normally open / closed; (configurable)
Max. voltage drop switching output DC	[V] 2.5
Permanent current rating of switching output DC	[mA] 250
Short-circuit protection	yes
Type of short-circuit protection	yes (non-latching)
Overload protection	yes

### Measuring/setting range

Liquids		
Setting range	[cm/s]	3...300
Greatest sensitivity	[cm/s]	3...100
Gases		
Setting range	[cm/s]	200...3000
Greatest sensitivity	[cm/s]	200...800

### Accuracy / deviations

Repeatability	[cm/s]	1...5
Note on repeatability		for water 5...100 cm/s; 25 °C Factory setting
Temperature drift	[cm/s x 1/K]	0.1; (for water 5...100 cm/s; 10...70 °C)
Max. temperature gradient of medium	[K/min]	300
Switch point accuracy	[cm/s]	± 2...± 10; (for water 5...100 cm/s; 25 °C; Factory setting)
Hysteresis	[cm/s]	2...5; (for water 5...100 cm/s; 25 °C; Factory setting)

### Reaction times

Liquids		
Response time	[s]	1...2; (for a temperature gradient: 1 K/min)
Gases		
Response time	[s]	1...10

### Software / programming

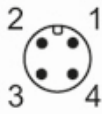
Adjustment of the switch point	pushbuttons
--------------------------------	-------------

# SI8503



## Flow monitor

KIT, SI5010 W/E40107

Operating conditions		
Ambient temperature	[°C]	-25...80
Protection		IP 67
Tests / approvals		
EMC	EN 61000-4-2 ESD	4 kV CD / 8 kV AD
	EN 61000-4-3 HF radiated	10 V/m
	EN 61000-4-4 Burst	2 kV
	EN 61000-4-6 HF conducted	10 V
Shock resistance	DIN IEC 68-2-27	50 g (11 ms)
Vibration resistance	DIN EN 60068-2-6	20 g (55...2000 Hz)
Mechanical data		
Weight	[g]	290.299
Housing		tubular
Dimensions	[mm]	Ø 50 / L = 113
Material		stainless steel (1.4301 / 304); PC; PBT-GF20; EPDM/X
Materials (wetted parts)		stainless steel (1.4404 / 316L); O-ring: FKM 80 Shore A
Process connection		threaded connection 1/2" NPT external thread
Probe diameter	[mm]	8.2
Installation length EL	[mm]	27.5
Displays / operating elements		
Display	Function	10 x LED, three-color
Accessories		
Items supplied		Adapter: 1 x 1/2-14NPT, E40107
Remarks		
Pack quantity		1 pcs.
Electrical connection		
Connector: 1 x M12; coding: A		
		

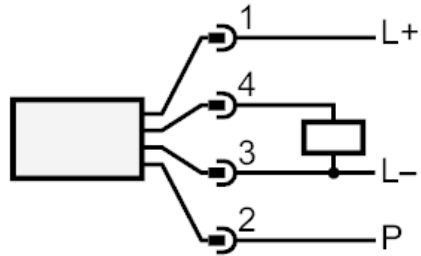
# SI8503



## Flow monitor

KIT, SI5010 W/E40107

### Connection



P = programming wire for remote calibration