

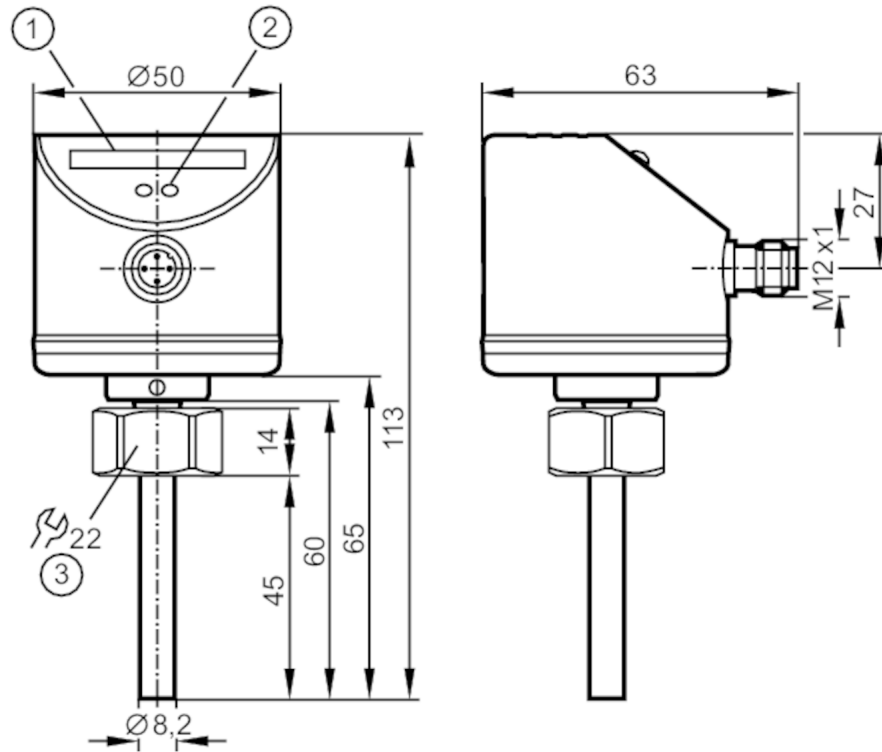
# SI5100



## Flow monitor

SID10ADTFPKG/US-100

Observe the changed pressure rating!



- 1 LED display
- 2 setting pushbutton
- 3 Tightening torque 25 Nm



### Product characteristics

Number of inputs and outputs	Number of digital outputs: 1
Process connection	threaded connection M18 x 1,5 Internal thread

### Application

Media	Liquids; Gases; aggressive media	
Medium temperature [°C]	-25...80	
Pressure rating	100 bar	10 MPa
<b>Liquids</b>		
Medium temperature [°C]	-25...80	
<b>Gases</b>		
Medium temperature [°C]	-25...80	

### Electrical data

Operating voltage [V]	19...36 DC	
Current consumption [mA]	< 60	
Protection class	III	
Reverse polarity protection	yes	
Power-on delay time [s]	10	

# SI5100



## Flow monitor

SID10ADTFPKG/US-100

Inputs / outputs	
Number of inputs and outputs	Number of digital outputs: 1
Outputs	
Total number of outputs	1
Output signal	switching signal
Electrical design	PNP
Number of digital outputs	1
Output function	normally open / closed; (configurable)
Max. voltage drop switching output DC [V]	2.5
Permanent current rating of switching output DC [mA]	250
Short-circuit protection	yes
Type of short-circuit protection	yes (non-latching)
Overload protection	yes
Measuring/setting range	
Probe length L [mm]	45
Liquids	
Setting range [cm/s]	3...300
Greatest sensitivity [cm/s]	3...100
Gases	
Setting range [cm/s]	200...3000
Greatest sensitivity [cm/s]	200...800
Accuracy / deviations	
Repeatability [cm/s]	1...5
Note on repeatability	for water 5...100 cm/s; 25 °C Factory setting
Temperature drift [cm/s x 1/K]	0.1; (for water 5...100 cm/s; 10...70 °C)
Max. temperature gradient of medium [K/min]	300
Switch point accuracy [cm/s]	± 2...± 10; (for water 5...100 cm/s; 25 °C; Factory setting)
Hysteresis [cm/s]	2...5; (for water 5...100 cm/s; 25 °C; Factory setting)
Reaction times	
Liquids	
Response time [s]	1...10
Gases	
Response time [s]	1...10
Software / programming	
Adjustment of the switch point	pushbuttons
Operating conditions	
Ambient temperature [°C]	-25...80
Storage temperature [°C]	-25...100

# SI5100



## Flow monitor

SID10ADTFPKG/US-100

Protection	IP 67
------------	-------

### Tests / approvals

EMC	EN 61000-4-2 ESD	4 kV CD / 8 kV AD
	EN 61000-4-3 HF radiated	10 V/m
	EN 61000-4-4 Burst	2 kV
	EN 61000-4-6 HF conducted	10 V
Shock resistance	DIN IEC 68-2-27	50 g (11 ms)
Vibration resistance	DIN EN 60068-2-6	20 g (55...2000 Hz)
MTTF [years]		298
UL approval	UL approval number	I02X

### Mechanical data

Weight [g]	221.85
Housing	tubular
Dimensions [mm]	Ø 50 / L = 113
Material	stainless steel (1.4404 / 316L); stainless steel (1.4310 / 301); PC; PBT-GF20; EPDM/X
Materials (wetted parts)	titanium (3.7035); O-ring: FKM 80 Shore A
Process connection	threaded connection M18 x 1,5 Internal thread
Probe diameter [mm]	8.2
Installation length EL [mm]	45

### Displays / operating elements

Display	Function	10 x LED, three-color
---------	----------	-----------------------

### Remarks

Pack quantity	1 pcs.
---------------	--------

### Electrical connection

Connector: 1 x M12; coding: A



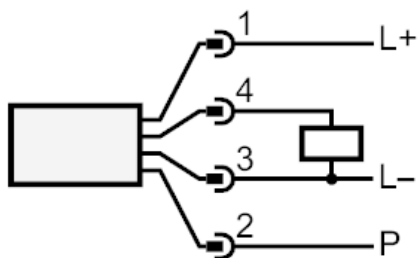
# SI5100



## Flow monitor

SID10ADTFPKG/US-100

### Connection



P = programming wire for remote calibration