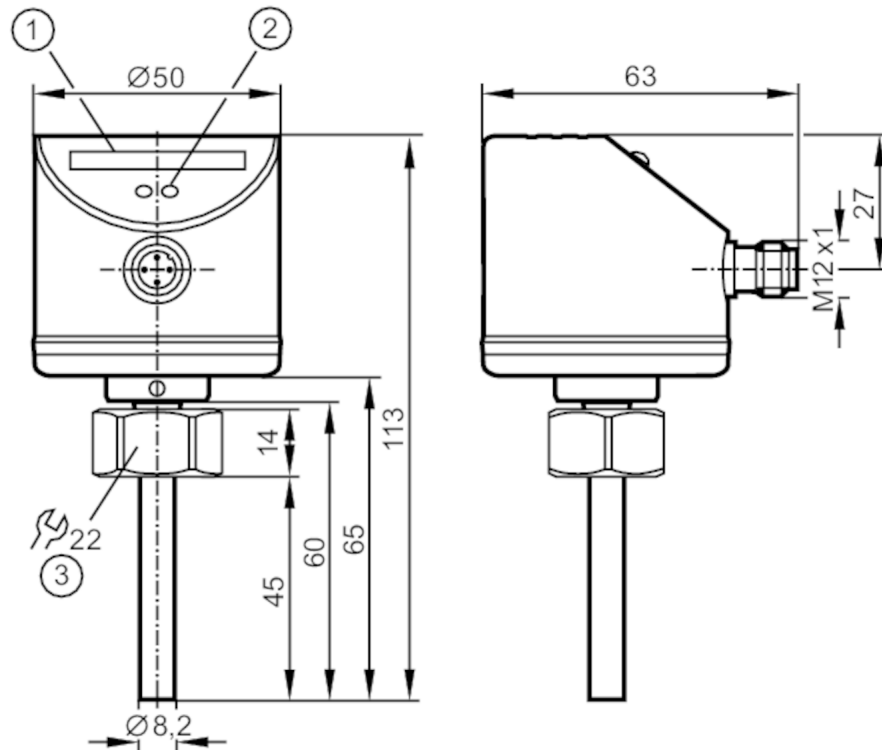


# SI0550



## Flow monitor

SID10ADBFPKG/US-100



- 1 LED display
- 2 setting pushbutton
- 3 Tightening torque 25 Nm



### Product characteristics

Number of inputs and outputs	Number of digital outputs: 1
Process connection	threaded connection M18 x 1,5 Internal thread

### Application

Application	Coolants; oils in machine tools
Medium temperature [°C]	-25...80
Pressure rating	300 bar 30 MPa

### Liquids

Application	Coolants; oils in machine tools
Medium temperature [°C]	-25...80

### Electrical data

Operating voltage [V]	19...36 DC
Current consumption [mA]	< 60
Protection class	III
Reverse polarity protection	yes
Power-on delay time [s]	10

### Inputs / outputs

Number of inputs and outputs	Number of digital outputs: 1
------------------------------	------------------------------

# SI0550



## Flow monitor

SID10ADBFPKG/US-100

Outputs		
Total number of outputs		1
Output signal		switching signal
Electrical design		PNP
Number of digital outputs		1
Output function		normally open / closed; (configurable)
Max. voltage drop switching output DC	[V]	2.5
Permanent current rating of switching output DC	[mA]	250
Short-circuit protection		yes
Type of short-circuit protection		yes (non-latching)
Overload protection		yes
Measuring/setting range		
Probe length L	[mm]	45
Liquids		
Setting range	[cm/s]	3...300
Greatest sensitivity	[cm/s]	3...100
Accuracy / deviations		
Repeatability	[cm/s]	1...5
Temperature drift	[cm/s x 1/K]	0.1
Switch point accuracy	[cm/s]	$\pm 2... \pm 10$
Hysteresis	[cm/s]	2...5
Reaction times		
Response time	[s]	< 1
Liquids		
Response time	[s]	< 1
Software / programming		
Adjustment of the switch point		pushbuttons
Operating conditions		
Ambient temperature	[°C]	-25...80
Storage temperature	[°C]	-25...100
Protection		IP 67
Tests / approvals		
EMC	EN 61000-4-2 ESD	4 kV CD / 8 kV AD
	EN 61000-4-3 HF radiated	10 V/m
	EN 61000-4-4 Burst	2 kV
	EN 61000-4-6 HF conducted	10 V
Shock resistance	DIN IEC 68-2-27	50 g (11 ms)
Vibration resistance	DIN EN 60068-2-6	20 g (55...2000 Hz)
MTTF	[years]	298
Mechanical data		
Weight	[g]	245.3

# SI0550



## Flow monitor

SID10ADBFPKG/US-100

Housing	tubular
Dimensions [mm]	Ø 50 / L = 113
Material	stainless steel (1.4404 / 316L); stainless steel (1.4310 / 301); PC; PBT-GF20; EPDM/X
Materials (wetted parts)	stainless steel (1.4404 / 316L); O-ring: FKM 80 Shore A
Process connection	threaded connection M18 x 1,5 Internal thread
Probe diameter [mm]	8.2
Installation length EL [mm]	45

### Displays / operating elements

Display	Function	10 x LED, three-color
---------	----------	-----------------------

### Remarks

Remarks	The installation remarks in the operating instructions must be adhered to in order to ensure a reliable function.
---------	---

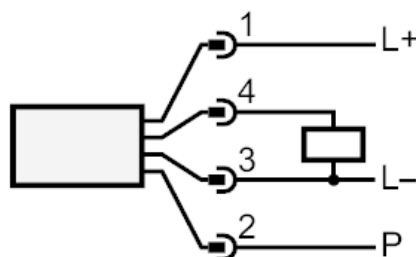
Pack quantity	1 pcs.
---------------	--------

### Electrical connection

Connector: 1 x M12; coding: A



### Connection



P = programming wire for remote calibration