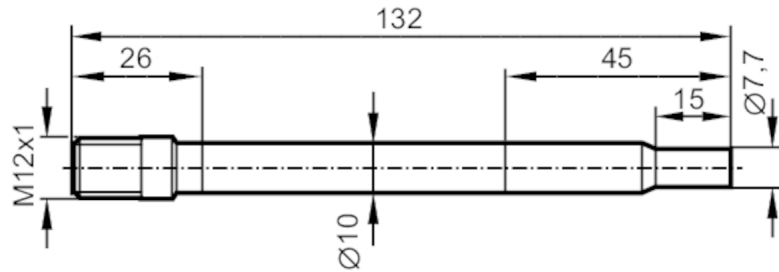


# SF6201



## Flow sensor for connection to an evaluation unit

SFG10ABB /JS-100



### Product characteristics

Probe length L	[mm]	15...107
Process connection		Clamp fitting Ø 10 mm

### Application

System		gold-plated contacts
Application		high temperature
Installation		Sensor suitable for clamp fitting
Media		Liquids; Gases
Medium temperature	[°C]	-25...80
Pressure rating		30 bar      3 MPa

### Liquids

Application		high temperature
Installation		Sensor suitable for clamp fitting
Medium temperature	[°C]	-25...80

### Gases

Medium temperature	[°C]	-25...80
--------------------	------	----------

### Electrical data

Connection to control monitor		VS3000
-------------------------------	--	--------

### Measuring/setting range

Probe length L	[mm]	15...107
----------------	------	----------

### Liquids

Setting range	[cm/s]	3...300
Greatest sensitivity	[cm/s]	3...60

### Gases

Setting range	[cm/s]	200...3000
Greatest sensitivity	[cm/s]	200...800

### Accuracy / deviations

Max. temperature gradient of medium	[K/min]	30
-------------------------------------	---------	----

### Reaction times

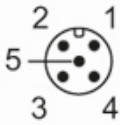
Response time	[s]	1...10
---------------	-----	--------

# SF6201



## Flow sensor for connection to an evaluation unit

SFG10ABB /JS-100

Liquids		
Response time	[s]	1...10
Gases		
Response time	[s]	1...10
Operating conditions		
Storage temperature	[°C]	-25...80
Protection		IP 67
Tests / approvals		
Shock resistance	DIN IEC 68-2-27	40 g (11 ms)
Vibration resistance	DIN IEC 68-2-6	10 g (55...2000 Hz)
MTTF	[years]	8393.77
Mechanical data		
Weight	[g]	62.5
Housing		tubular
Dimensions	[mm]	Ø 10 / L = 132
Material		stainless steel (1.4404 / 316L) several parts, welded
Materials (wetted parts)		stainless steel (1.4404 / 316L) several parts, welded
Process connection		Clamp fitting Ø 10 mm
Probe diameter	[mm]	7.7
Accessories		
Accessories (optional)		Clamp adapter: R 1/2, E40160 Clamp adapter: 1/2" NPT, E40174
Remarks		
Pack quantity		1 pcs.
Electrical connection		
Connector: 1 x M12; coding: A; Contacts: gold-plated; Maximum cable length: 100 m		
		

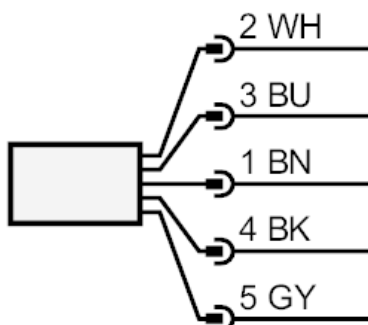
# SF6201



## Flow sensor for connection to an evaluation unit

SFG10ABB /US-100

### Connection



Core colors :

BN =	brown
BU =	blue
BK =	black
WH =	white
GY =	grey