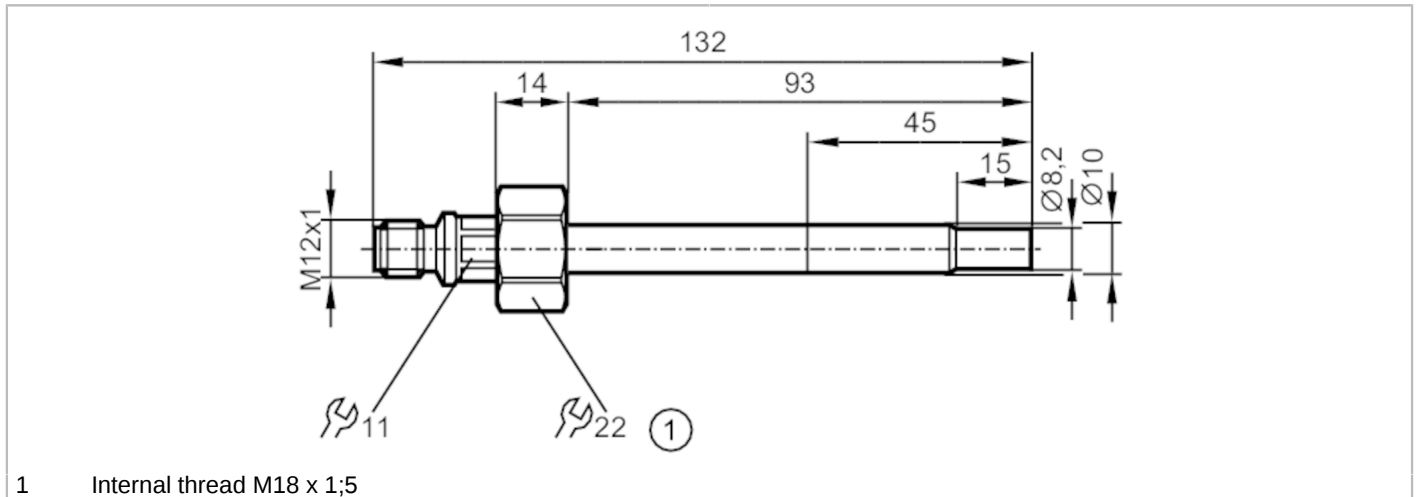


SF5702



Flow sensor for connection to an evaluation unit

SFD10ADT /US-100



Product characteristics		
Probe length L	[mm]	93
Process connection		threaded connection M18 x 1,5 Internal thread
Application		
Media		Liquids; Gases; aggressive media
Medium temperature	[°C]	-25...80
Pressure rating		100 bar 10 MPa
Electrical data		
Connection to control monitor		VS3000
Measuring/setting range		
Probe length L	[mm]	93
Liquids		
Setting range	[cm/s]	3...300
Greatest sensitivity	[cm/s]	3...60
Gases		
Setting range	[cm/s]	200...3000
Greatest sensitivity	[cm/s]	200...800
Accuracy / deviations		
Max. temperature gradient of medium	[K/min]	300
Reaction times		
Response time	[s]	1...10
Operating conditions		
Storage temperature	[°C]	-25...80
Protection		IP 67
Tests / approvals		
Shock resistance	DIN IEC 68-2-27	50 g (11 ms)
Vibration resistance	DIN IEC 68-2-6	10 g (55...2000 Hz)
MTTF	[years]	8393.77

SF5702



Flow sensor for connection to an evaluation unit

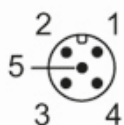
SFD10ADT /US-100

Mechanical data		
Weight	[g]	68
Housing		tubular
Dimensions	[mm]	Ø 8.2 / L = 132
Material		titanium (3.7035); EPDM; ULTEM
Materials (wetted parts)		titanium (3.7035); O-ring: FKM 80 Shore A
Process connection		threaded connection M18 x 1,5 Internal thread
Probe diameter	[mm]	8.2
Installation length EL	[mm]	93

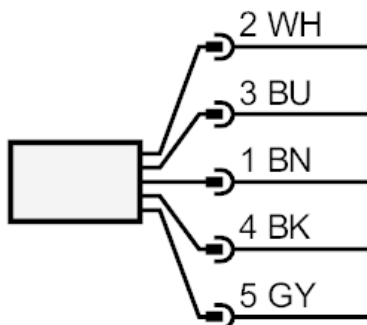
Remarks	
Pack quantity	1 pcs.

Electrical connection

Connector: 1 x M12; coding: A; Maximum cable length: 100 m



Connection



Core colors :
BN = brown
BU = blue
BK = black
WH = white
GY = grey