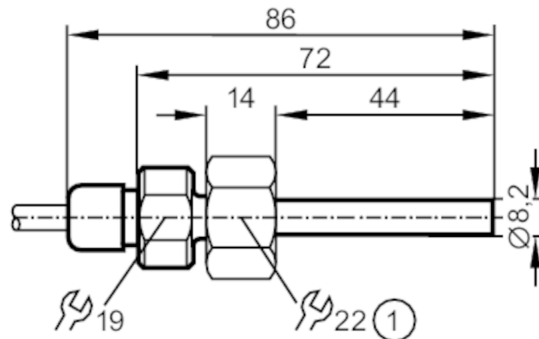


# SF5350



## Flow sensor for connection to an evaluation unit

SFD10ADB /6M



1 Internal thread M18 x 1.5



Product characteristics	
Probe length L [mm]	45
Process connection	threaded connection M18 x 1,5 Internal thread
Application	
Application	high temperature
Media	Liquids; Gases
Medium temperature [°C]	-25...80
Pressure rating	300 bar 30 MPa
Electrical data	
Connection to control monitor	VS3000
Measuring/setting range	
Probe length L [mm]	45
Liquids	
Setting range [cm/s]	3...300
Greatest sensitivity [cm/s]	3...60
Gases	
Setting range [cm/s]	200...3000
Greatest sensitivity [cm/s]	200...800
Accuracy / deviations	
Max. temperature gradient of [K/min] medium	300
Reaction times	
Response time [s]	1...10
Operating conditions	
Protection	IP 67
Tests / approvals	
Shock resistance	DIN IEC 68-2-27 40 g (11 ms)
Vibration resistance	DIN IEC 68-2-6 10 g (55...2000 Hz)
MTTF [years]	8213

# SF5350



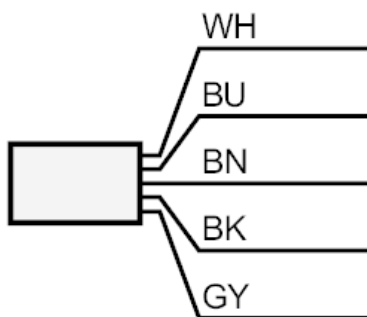
## Flow sensor for connection to an evaluation unit

SFD10ADB /6M

Mechanical data		
Weight	[g]	413.5
Housing		tubular
Material		stainless steel (1.4404 / 316L)
Materials (wetted parts)		stainless steel (1.4404 / 316L); O-ring: FKM 80 Shore A
Process connection		threaded connection M18 x 1,5 Internal thread
Probe diameter	[mm]	8.2
Installation length EL	[mm]	44
Remarks		
Pack quantity		1 pcs.

**Electrical connection**  
Cable: 6 m, PUR; Maximum cable length: 100 m; 5 x 0.34 mm<sup>2</sup>

### Connection



Core colors :  
BN = brown  
BU = blue  
BK = black  
WH = white  
GY = grey