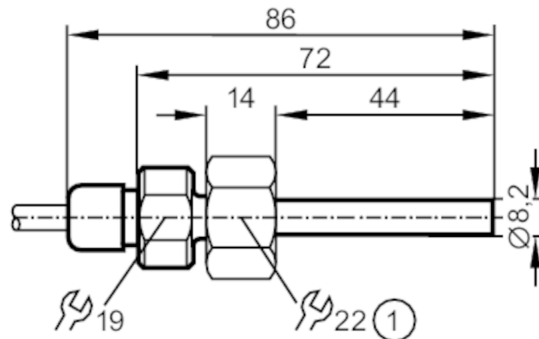


SF5300



Flow sensor for connection to an evaluation unit

SFD10ZDB /6M



1 Internal thread M18 x 1.5



Product characteristics

Probe length L	[mm]	45
Process connection		threaded connection M18 x 1,5 Internal thread

Application

Application		high temperature
Media		Liquids; Gases
Pressure rating	300 bar	30 MPa

Liquids

Medium temperature	[°C]	0...120
--------------------	------	---------

Gases

Medium temperature	[°C]	0...100
--------------------	------	---------

Electrical data

Connection to control monitor		VS3000
-------------------------------	--	--------

Measuring/setting range

Probe length L	[mm]	45
----------------	------	----

Liquids

Setting range	[cm/s]	3...300
Greatest sensitivity	[cm/s]	3...60

Gases

Setting range	[cm/s]	200...3000
Greatest sensitivity	[cm/s]	200...800

Accuracy / deviations

Max. temperature gradient of medium	[K/min]	300
-------------------------------------	---------	-----

Reaction times

Response time	[s]	1...10
---------------	-----	--------

Operating conditions

Protection		IP 67
------------	--	-------

SF5300



Flow sensor for connection to an evaluation unit

SFD10ZDB /6M

Tests / approvals

Shock resistance	DIN IEC 68-2-27	40 g (11 ms)
Vibration resistance	DIN IEC 68-2-6	10 g (55...2000 Hz)
MTTF [years]		8096

Mechanical data

Weight [g]	454.5
Housing	tubular
Material	knurled nut: stainless steel; Cable gland: FKM; nut for cable gland: brass nickel-plated; Sleeve: brass nickel-plated
Materials (wetted parts)	stainless steel (1.4404 / 316L); O-ring: FKM 80 Shore A
Process connection	threaded connection M18 x 1,5 Internal thread
Probe diameter [mm]	8.2
Installation length EL [mm]	44

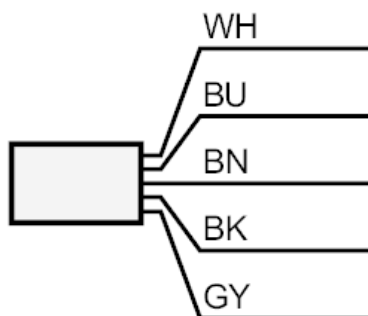
Remarks

Pack quantity	1 pcs.
---------------	--------

Electrical connection

Cable: 6 m, silicone; Maximum cable length: 100 m; 5 x 0.34 mm²

Connection



	Core colors :
BN =	brown
BU =	blue
BK =	black
WH =	white
GY =	grey