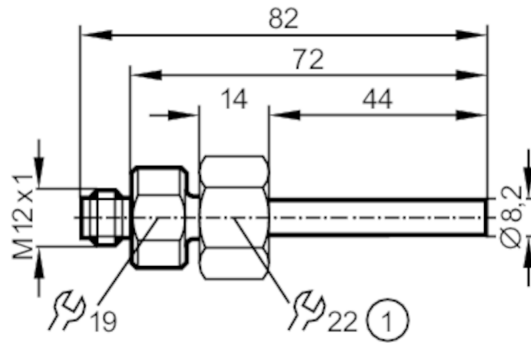


# SF5200



## Flow sensor for connection to an evaluation unit

SFD10ADB /JS-100



1 Internal thread M18 x 1,5



### Product characteristics

Process connection threaded connection M18 x 1,5 Internal thread

### Application

Application	high temperature
Media	Liquids; Gases
Medium temperature [°C]	-25...80
Pressure rating	300 bar 30 MPa

### Electrical data

Connection to control monitor VS3000

### Measuring/setting range

#### Liquids

Setting range [cm/s]	3...300
Greatest sensitivity [cm/s]	3...60

#### Gases

Setting range [cm/s]	200...3000
Greatest sensitivity [cm/s]	200...800

### Accuracy / deviations

Max. temperature gradient of [K/min] medium	300
---	-----

### Reaction times

Response time [s]	1...10
-------------------	--------

### Operating conditions

Protection	IP 67
------------	-------

### Tests / approvals

Shock resistance	DIN IEC 68-2-27	40 g (11 ms)
Vibration resistance	DIN IEC 68-2-6	10 g (55...2000 Hz)
MTTF [years]		8213

### Mechanical data

Weight [g]	88.5
------------	------

# SF5200



## Flow sensor for connection to an evaluation unit

SFD10ADB /JS-100

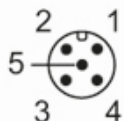
Housing	tubular
Dimensions [mm]	M18 x 1.5 / L = 82
Thread designation	M18 x 1.5
Material	stainless steel (1.4404 / 316L)
Materials (wetted parts)	stainless steel (1.4404 / 316L); O-ring: FKM 80 Shore A
Process connection	threaded connection M18 x 1,5 Internal thread
Probe diameter [mm]	8.2
Installation length EL [mm]	44

### Remarks

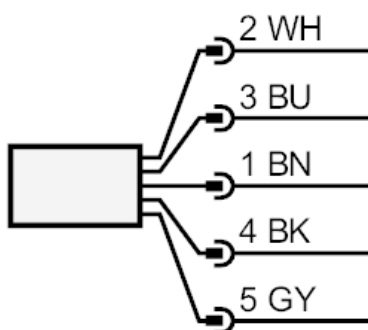
Pack quantity 1 pcs.

### Electrical connection

Connector: 1 x M12; coding: A; Maximum cable length: 100 m



### Connection



Core colors :  
BN = brown  
BU = blue  
BK = black  
WH = white  
GY = grey